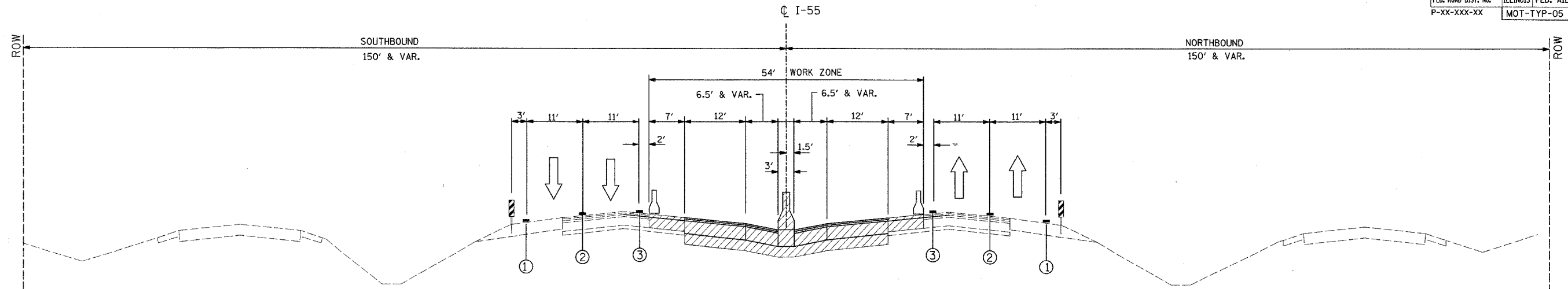
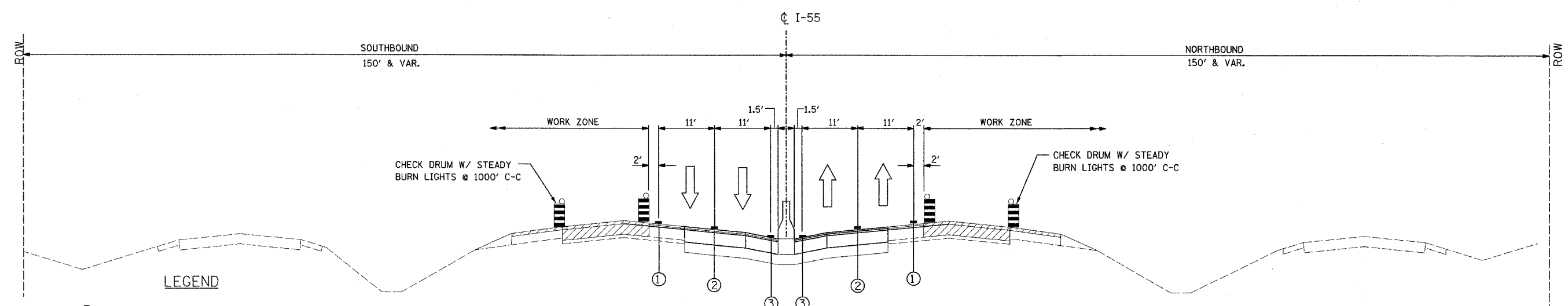


F.A.P. RTE.	SECTION	COUNTY	TOTAL SHEETS	SHEET NO.
55	99 (1&2) WRS-3	WILL	305	72
STA.		TO STA.		
FED. ROAD DIST. NO.	ILLINOIS	FED. AID PROJECT		
P-XX-XXX-XX	MOT-TYP-05	OF 06		

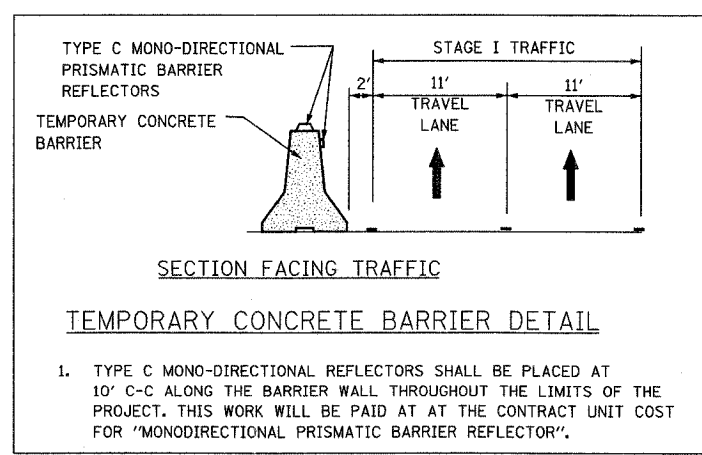


CONSTRUCTION TYPICAL SECTION
STAGE I



CONSTRUCTION TYPICAL SECTION
STAGE II

- LEGEND**
- ① PVMT MARKING TAPE, TYPE III 4" (WHITE)
 - ② PVMT MARKING TAPE, TYPE III 5" SKIP-DASH (30FT/10FT)
 - ③ PVMT MARKING TAPE, TYPE III 4" (YELLOW)
 - ④ HOT-MIX ASPHALT SURFACE COURSE, MIX "D", N70, 1-3/4"
 - ⑤ HOT-MIX ASPHALT BASE COURSE, 10-1/4"
 - ⑥ EXISTING AGGREGATE SHOULDER
 - ⑦ AGGREGATE SHOULDER, TYPE B
 - ▨ VERTICAL PANELS AT 100' IN CURVES AND 200' IN TANGENTS
 - ⊞ DRUMS W/ STEADY BURN LIGHTS AT 50' C-C IN TAPERS AND 100' C-C IN TANGENTS
 - ▨ WORK ZONE
 - ↑ TRAFFIC FLOW ARROW
 - ⊞ TEMPORARY CONCRETE BARRIER



REVISIONS	
NAME	DATE

ILLINOIS DEPARTMENT OF TRANSPORTATION
FAI ROUTE 55
143RD STREET TO WEBER ROAD
SUGGESTED STAGES OF
CONSTRUCTION AND TRAFFIC CONTROL
GENERAL NOTES AND DETAILS

SCALE: NONE
DATE: 02-23-07

DRAWN BY: DM
CHECKED BY: DVS