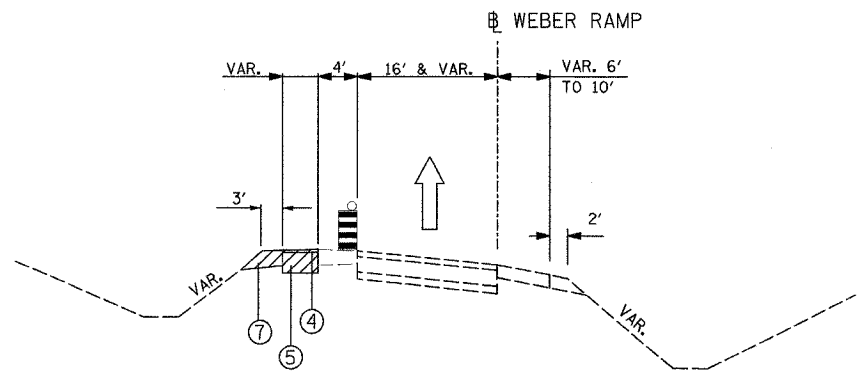
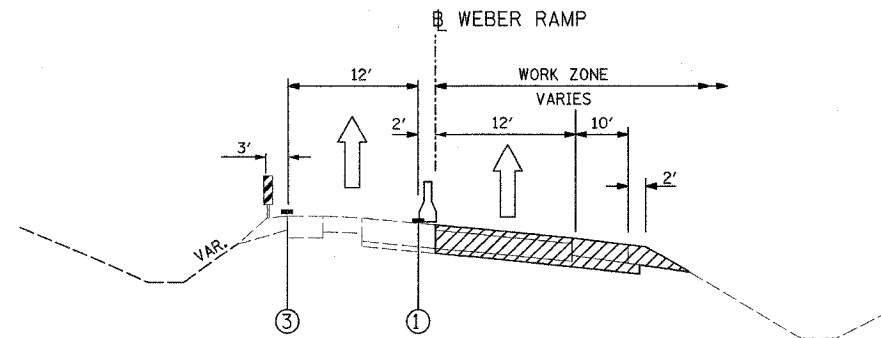


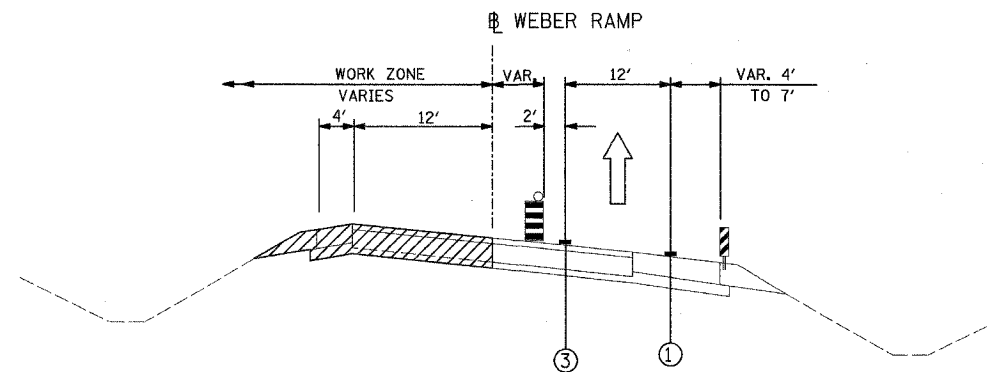
F.A.I. RTE.	SECTION	COUNTY	TOTAL SHEETS	SHEET NO.
55	99 (1&2) WRS-3	WILL	305	73
STA.		TO STA.		
FED. ROAD DIST. NO.	ILLINOIS	FED. AID PROJECT		
	MOT-TYP-06			OF 06



CONSTRUCTION TYPICAL SECTION
STAGE I
(TEMPORARY PAVEMENT INSTALLATION)



CONSTRUCTION TYPICAL SECTION
STAGE II



CONSTRUCTION TYPICAL SECTION
STAGE IIA

LEGEND

- ① PVMT MARKING TAPE, TYPE III 4" (WHITE)
- ② PVMT MARKING TAPE, TYPE III 5" SKIP-DASH (30FT/10FT)
- ③ PVMT MARKING TAPE, TYPE III 4" (YELLOW)
- ④ HOT-MIX ASPHALT SURFACE COURSE, MIX "D", N70, 1-3/4"
- ⑤ HOT-MIX ASPHALT BASE COURSE, 10-1/4"
- ⑥ EXISTING AGGREGATE SHOULDER
- ⑦ AGGREGATE SHOULDER, TYPE B
- Vertical panels symbol: VERTICAL PANELS AT 100' IN CURVES AND 200' IN TANGENTS
- Drums symbol: DRUMS W/ STEADY BURN LIGHTS AT 50' C-C IN TAPERS AND 100' C-C IN TANGENTS
- Work zone symbol: WORK ZONE
- Upward arrow symbol: TRAFFIC FLOW ARROW
- Barrier symbol: TEMPORARY CONCRETE BARRIER

MIXTURE REQUIREMENTS

APPLICATION	MIXTURE TYPE	AC TYPE	AIR VOIDS
US 30 RAMPS TEMPORARY PAVEMENT	HOT-MIX ASPHALT SURFACE COURSE, " MIX "D", (IL-9.5mm)	PG 64-22	4% @ N70
US 30 RAMPS TEMPORARY PAVEMENT	HOT-MIX ASPHALT BASE COURSE, (HMA BINDER IL-19)-MIN LIFT 2-1/4"; 10-1/4"	PG 64-22/*	4% @ N90
I-55 MAINLINE EXISTING LANES AND OVER SEWER LATERALS	CLASS D PATCHES (HMA BINDER IL-25)	PG 64-22	4% @ N105
I-55 MAINLINE EXISTING LANES AND OVER SEWER LATERALS	HOT-MIX ASPHALT REPLACEMENT OVER PATCHES (HMA BINDER IL-25)	PG 64-22	4% @ N105
I-55 TEMPORARY ASPHALT WEDGE	HOT-MIX ASPHALT SURFACE COURSE, " MIX "D", (IL-9.5mm)	PG 64-22	4% @ N70

WEIGHT NOTE:

- 1) THE UNIT WEIGHT USED TO CALCULATE THE PLAN QUANTITY FOR STONE MATRIX HOT-MIX ASPHALT SURFACE AND BINDER MIXTURES IS 135 LBS/SQ YD/ INCH THICKNESS.
- 2) THE UNIT WEIGHT OF 112 LBS/SQ YD/ INCH THICKNESS WAS USED TO CALCULATE ALL OTHER HOT-MIX ASPHALT SURFACE AND BINDER MIXTURES.
- 3) * WHEN RAP EXCEEDS 20% THE NEW ASPHALT BINDER IN THE MIX SHALL BE PG 58-22.

STAGE I & STAGE II & IIA

REVISIONS	
NAME	DATE

ILLINOIS DEPARTMENT OF TRANSPORTATION
FAI ROUTE 55
143RD STREET TO WEBER ROAD
SUGGESTED STAGES OF
CONSTRUCTION AND TRAFFIC CONTROL
GENERAL NOTES AND DETAILS

SCALE: NONE
DATE: 02-23-07

DRAWN BY: DM
CHECKED BY: DVS

