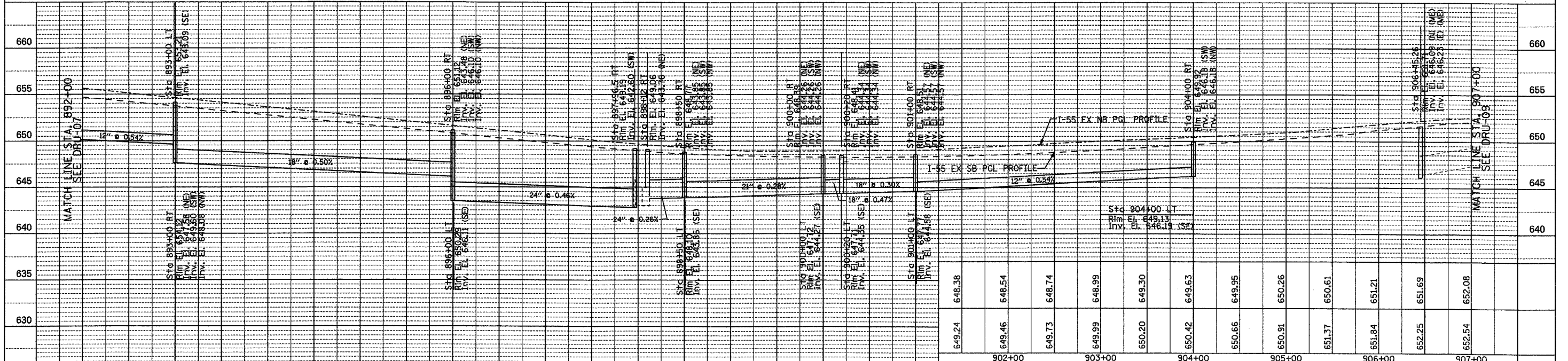
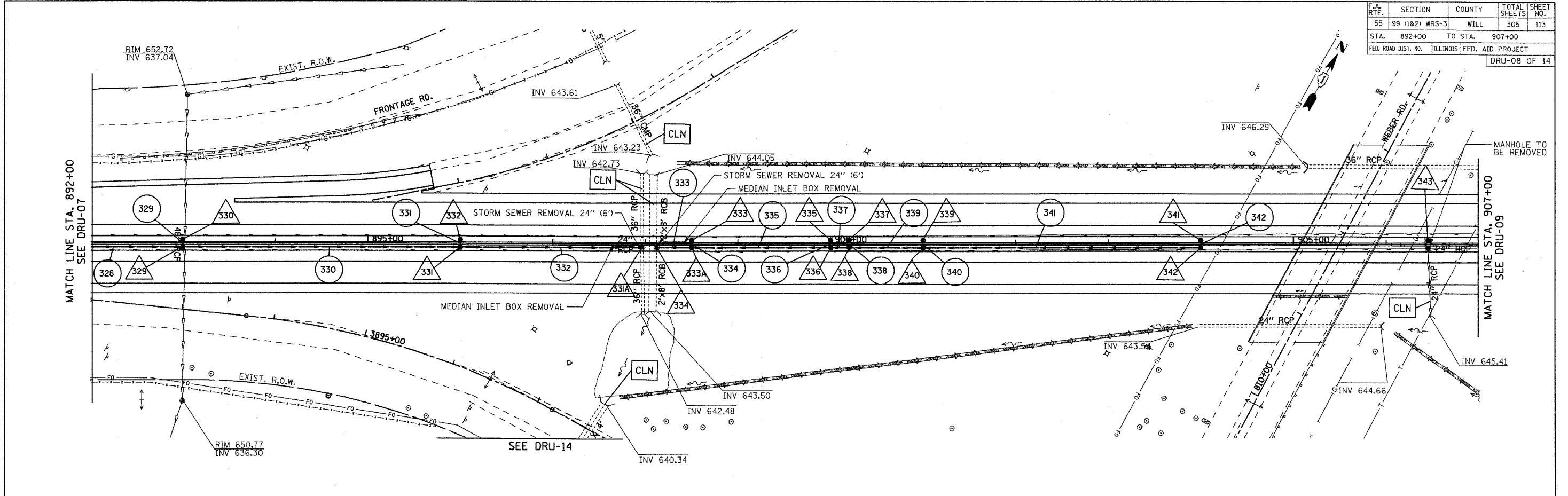


CONTRACT NO. 60B47				
SECTION	COUNTY	TOTAL SHEETS	SHEET NO.	
99 (1&2) WRS-3	WILL	305	113	
STA. 892+00	TO STA. 907+00			
FED. ROAD DIST. NO. ILLINOIS		FED. AID PROJECT		
DRU-08 OF 14				



SB PGL ELEV	654.69	654.20	653.71	653.22	652.73	652.25	651.76	651.28	650.79	650.30	649.82	649.36	648.91	648.60	648.42	648.30	648.22	648.21	648.27
NB PGL ELEV	655.62	655.12	654.62	654.12	653.62	653.12	652.62	652.12	651.62	651.12	650.62	650.12	649.66	649.27	648.96	648.87	648.89	648.95	649.01
STATION	892+00	893+00	894+00	895+00	896+00	897+00	898+00	899+00	900+00	901+00	902+00	903+00	904+00	905+00	906+00	907+00			

100FT (HORIZ.)  
10FT (VERT.)

GRAPHIC SCALE IN FEET

REVISIONS	
NAME	DATE

ILLINOIS DEPARTMENT OF TRANSPORTATION  
FAI ROUTE 55  
143RD STREET TO WEBER ROAD  
DRAINAGE AND UTILITY  
PLAN AND PROFILE

SCALE: VERT. 1"=50'  
HORIZ. 1"=10'  
DATE: 02/23/2007

DRAWN BY JPA  
CHECKED BY TEH

FINAL