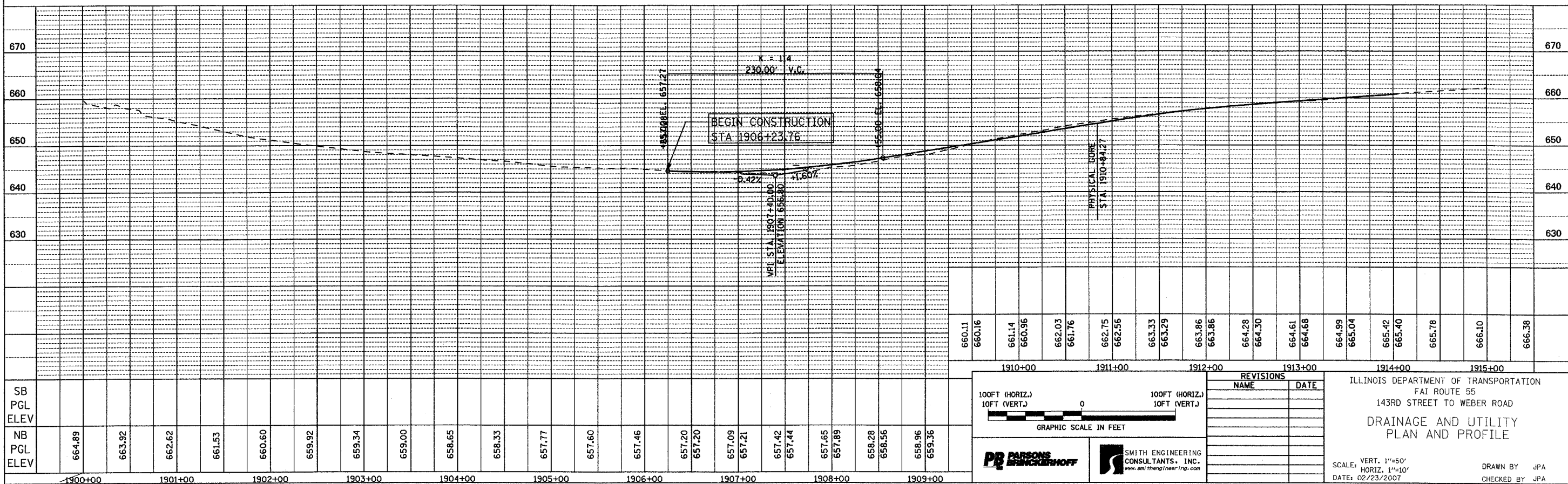
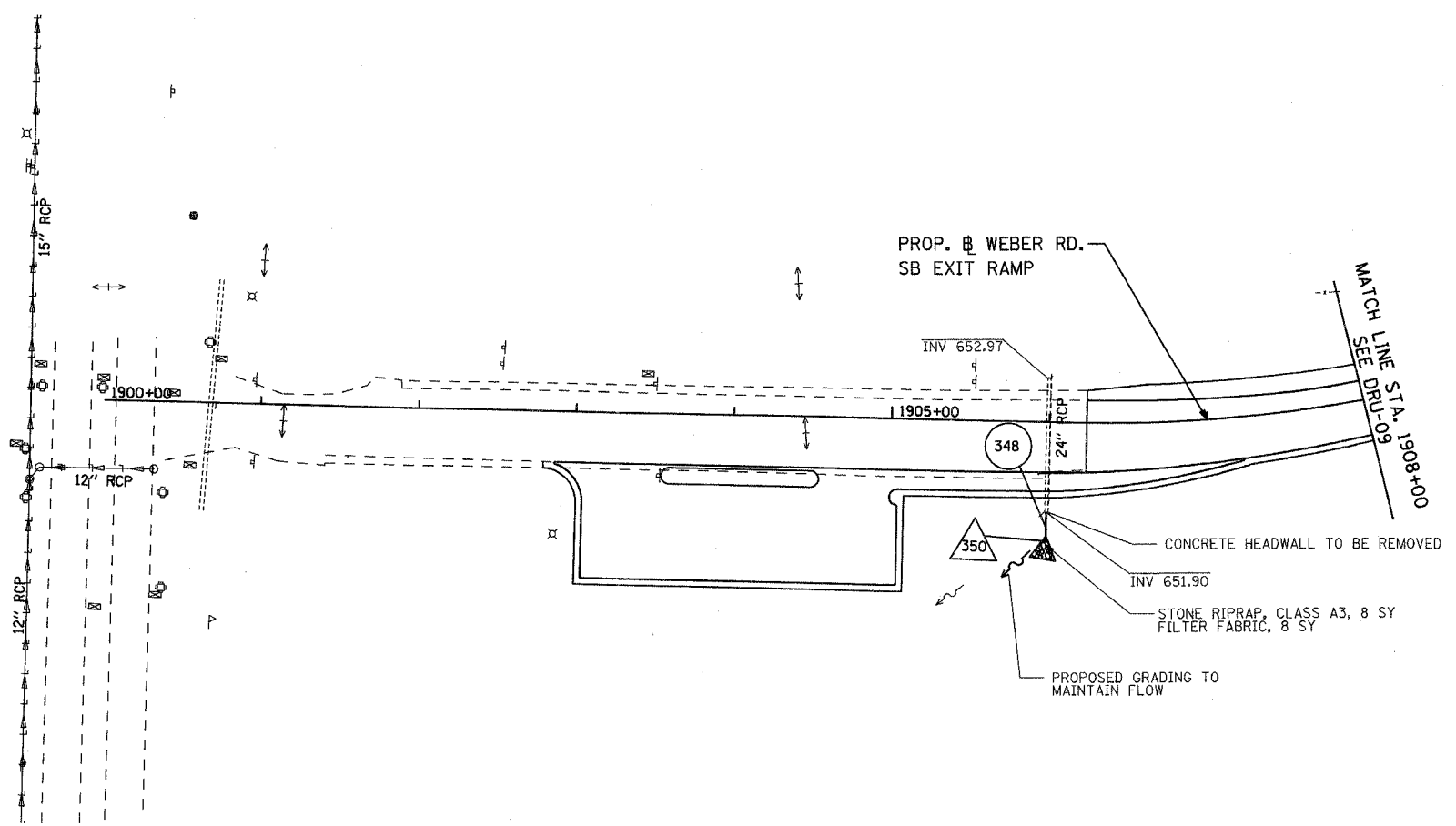


F.A. RTE.	SECTION	COUNTY	TOTAL SHEETS	SHEET NO.
55	99 (I&2) WRS-3	WILL	305	117
STA. 1900+00	TO STA. 1908+00			
FED. ROAD DIST. NO.		ILLINOIS FED. AID PROJECT		
DRU-12 OF 14				



100FT (HORIZ.) 0 100FT (HORIZ.)
10FT (VERT.) 10FT (VERT.)

GRAPHIC SCALE IN FEET

REVISIONS	
NAME	DATE

ILLINOIS DEPARTMENT OF TRANSPORTATION
FAI ROUTE 55
143RD STREET TO WEBER ROAD
DRAINAGE AND UTILITY
PLAN AND PROFILE

SCALE: VERT. 1"=50'
HORIZ. 1"=10'
DATE: 02/23/2007

DRAWN BY JPA
CHECKED BY JPA

PARSONS BRINCKERHOFF
SMITH ENGINEERING CONSULTANTS, INC.
www.smithengr.com