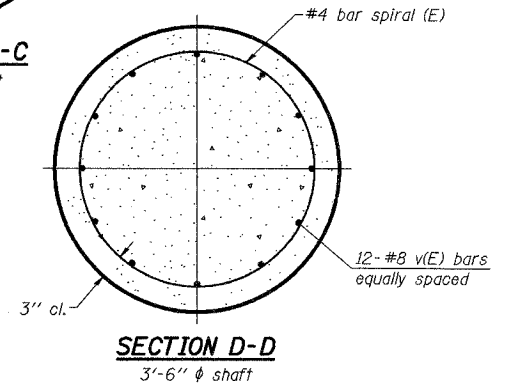
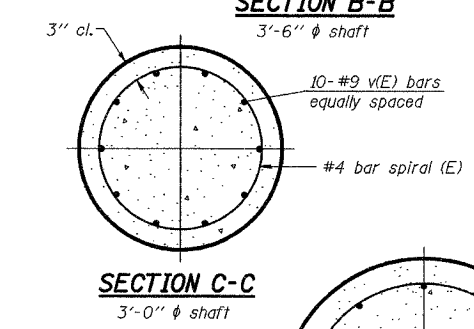
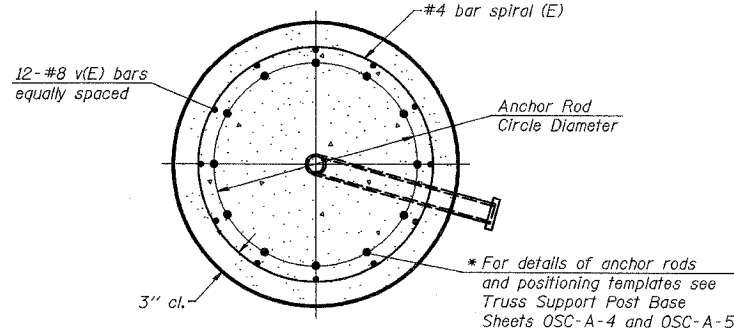
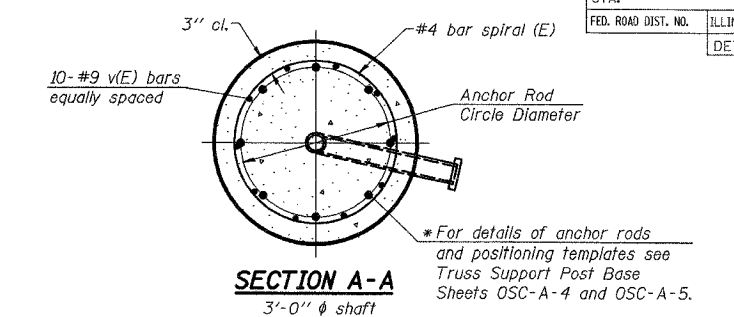
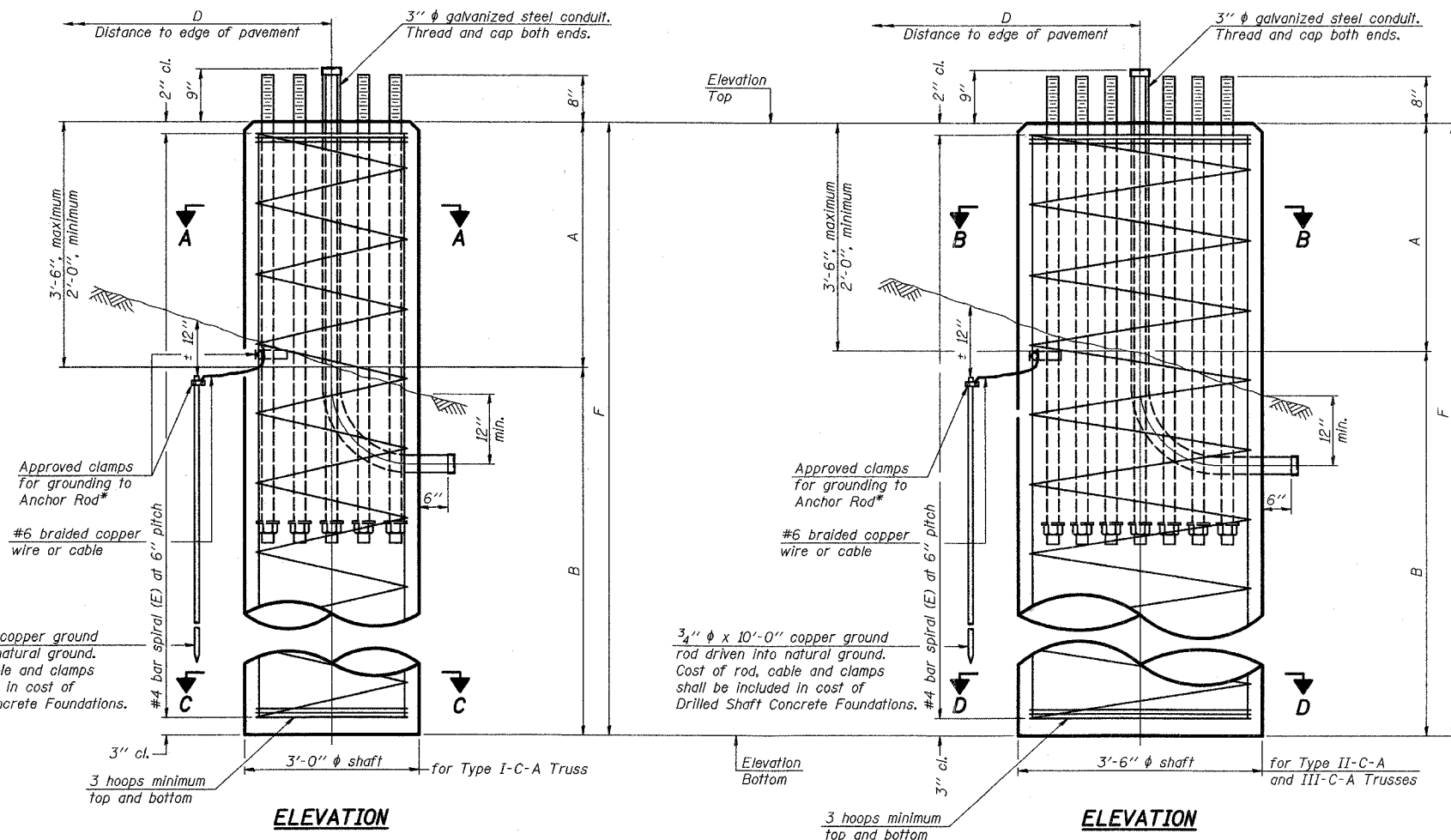


F.A.P. RTE.	SECTION	COUNTY	TOTAL SHEETS	SHEET NO.
55	100 (1&2)	I-9	305	160
STA.	TO STA.			
FED. ROAD DIST. NO.	ILLINOIS	FED. AID PROJECT	DETL. - 26 OF 30	

* Grind anchor rod to bright finish at ground clamp location before installing clamp.



NOTES:
 The foundation dimensions shown in the Foundation Design Table are based on the presence of mostly cohesive soils with an average Unconfined Compressive Strength (Q_u) of at least 1.25 tsf, which must be determined by previous soil investigations at the jobsite. When other conditions are indicated, the boring data will be included in the plans and the foundation dimensions shown in the Foundation Data Table will be the result of site specific designs. If the conditions encountered are different than those indicated, the Contractor shall notify the Engineer to determine if the foundation dimensions need to be modified. If dimensions "B" or "F" are revised by more than 12" by the Contractor, "as-built" plans shall be prepared and submitted to the District Bureau of Operations for future reference. No sonotubes or decomposable forms shall be used below the lower conduit entrance. Permanent metal forms or other shielding may not be left in place below that elevation without the Engineer's written permission. Concrete shall be placed monolithically, without construction joints. Backfill shall be placed per Article 502 of Standard Specification and prior to erection of support column. A normal surface finish followed by a Bridge Seat Sealer application will be required on concrete surfaces above the lowest elevation 6" below finished ground line. Cost included in "Drilled Shaft Concrete Foundation".

Structure Number	Station	Truss Type	Shaft Diameter	Elevation Top	Elevation Bottom	Q_u	A	B	F	Class SI Concrete	Cubic Yards
IC0991055L263.8	923+00	II-C-A	3.5'	666.23	645.23'	≥ 1.25 TSF	2'	19'	21'	7.48	

Truss Type	Post Base Sheet	Maximum Cantilever Length (ft)	Maximum Total Sign Area (sq ft)	Shaft Diameter (in)	"B" Depth (ft)	Anchor Rods No.	Anchor Rod Diameter (in)	Anchor Rod Circle Diameter (in)
I-C-A	OSC-A-4	25	170	3.0	16.0	8	2	22
II-C-A	OSC-A-5	30	170	3.5	17.0	12	2	30
II-C-A	OSC-A-5	30	340	3.5	21.5	12	2	30
III-C-A	OSC-A-5	35	170	3.5	19.0	12	2	30
III-C-A	OSC-A-5	35	250	3.5	22.5	12	2	30
III-C-A	OSC-A-5	35	400	3.5	26.5	12	2	30
III-C-A	OSC-A-5	40	400	3.5	32.0	12	2	30

NUMBER	REVISION	DATE

DAVID MASON & ASSOCIATES
 Civil Engineering
 Structural Engineering
 Surveying
 445 E. Illinois, Suite 840
 Chicago, IL 60611
 (312) 942-9600

PARSONS BRINCKERHOFF

REVISIONS	
NAME	DATE

OSC-A-9 1-7-05
 ILLINOIS DEPARTMENT OF TRANSPORTATION
 F.A.I. I-55
 143rd STREET TO WEBER RD.
 CANTILEVER SIGN STRUCTURES
 DRILLED SHAFT
 ALUMINUM TRUSS & STEEL POST

SCALE: DRAWN BY: JS, LC
 DATE: FEBRUARY 23, 2007 CHECKED BY: SE