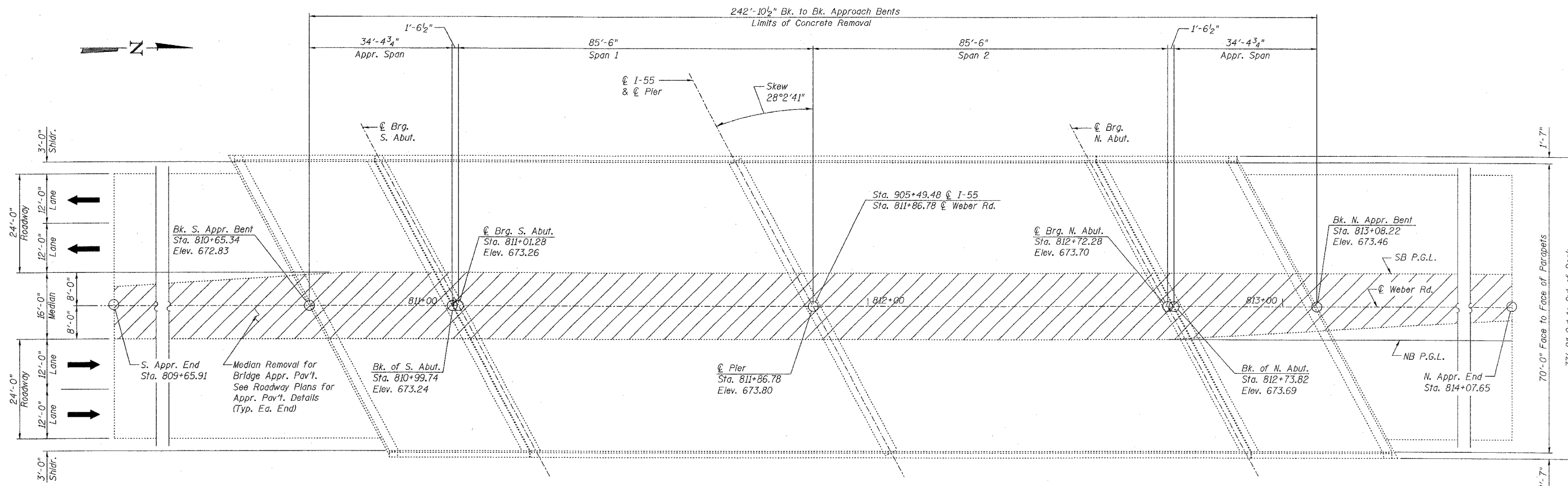


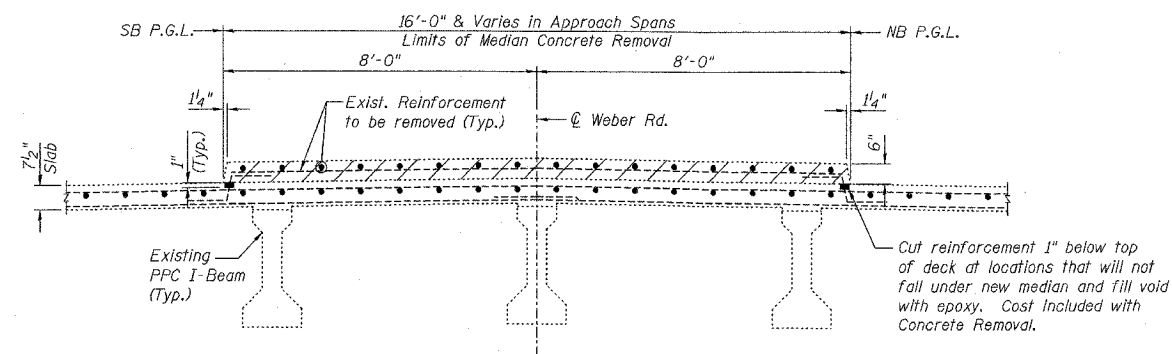
STATE OF ILLINOIS
DEPARTMENT OF TRANSPORTATION

ROUTE NO.	SECTION	COUNTY	DATE	SHEET NO.	SHEET NO. 3
FAI 55	**	WILL	305	184	7 SHEETS
FED. ROAD DIST. NO. 7	ILLINOIS	FED. AID PROJECT			

** SECTION 99 (1&2) WRS-3
CONTRACT NO. 60B47

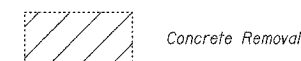


PLAN



MEDIAN REMOVAL DETAIL

LEGEND



BILL OF MATERIAL

Item	Unit	Quantity
Concrete Removal	Cu. Yd.	88.6

Note:

- The final surface after median removal shall be smoothed by grinding, subject to the approval of the Engineer, prior to completing the Bridge Deck Grooving. Cost included with Concrete Removal.

DESIGNED	S.CHELBIAN
CHECKED	J.GRAINAWI
DRAWN	S.CHELBIAN
CHECKED	J.GRAINAWI

Date: 2/23/2007



MEDIAN REMOVAL
WEBER ROAD OVER I-55
SECTION 99 (1&2) WRS-3
WILL COUNTY
STA. 811+86.78
STRUCTURE NO. 099-0281