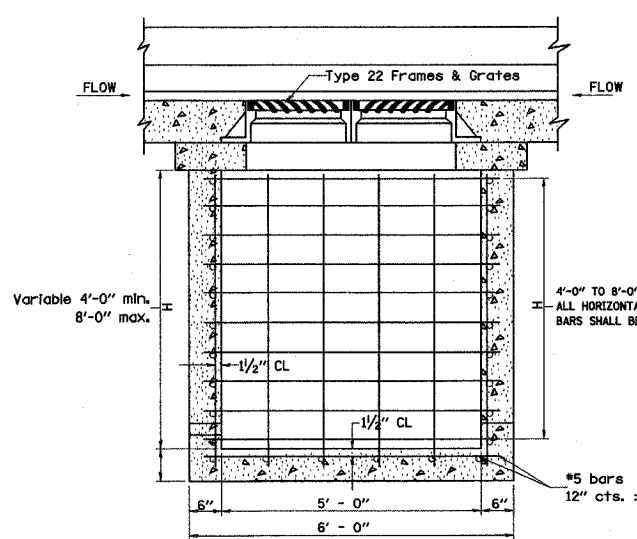
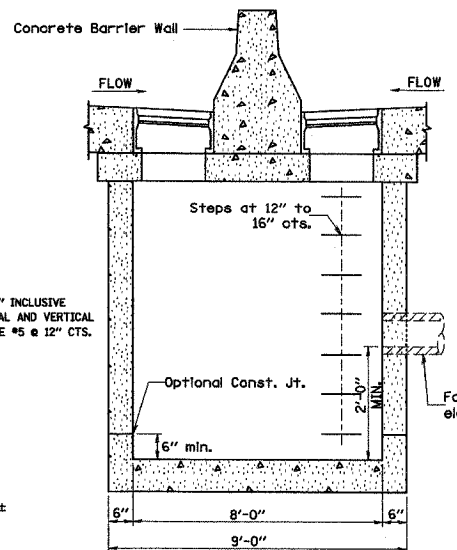


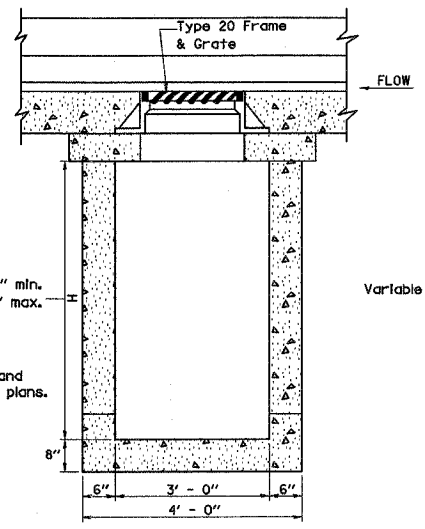
F.A. RTE. NO.	SECTION	COUNTY	TOTAL SHEETS	SHEET NO.
55			305	197
STA.	TO STA.			
FED. ROAD DIST. NO.	ILLINOIS	FED. AID PROJECT		



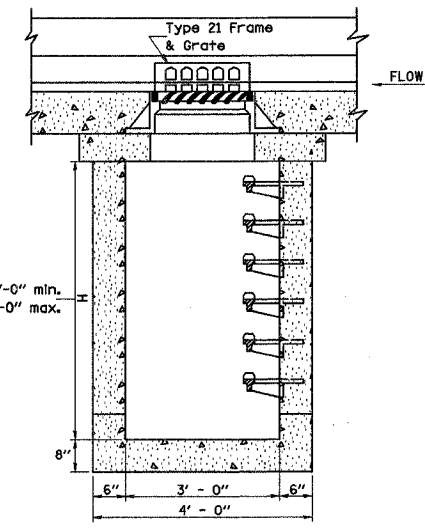
FRONT ELEVATION  
(DRAINAGE STRUCTURE, TYPE 8x5)  
TYPE 22 FRAME AND GRATE



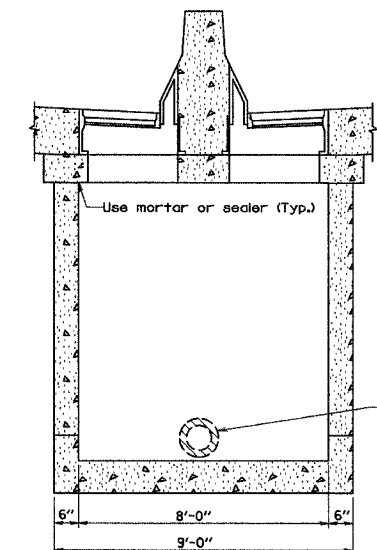
SIDE ELEVATION  
(DRAINAGE STRUCTURE, TYPE 8x3 & 8x5)  
TYPE 20 & 22 FRAME AND GRATE



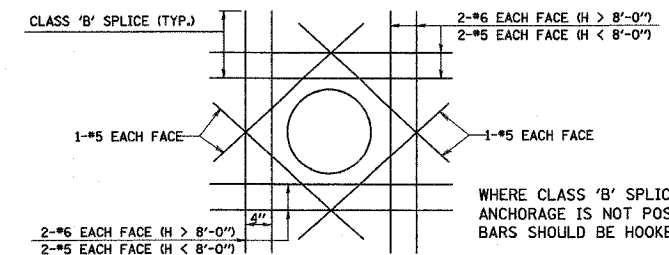
FRONT ELEVATION  
(DRAINAGE STRUCTURE, TYPE 8x3)  
TYPE 20 FRAME AND GRATE



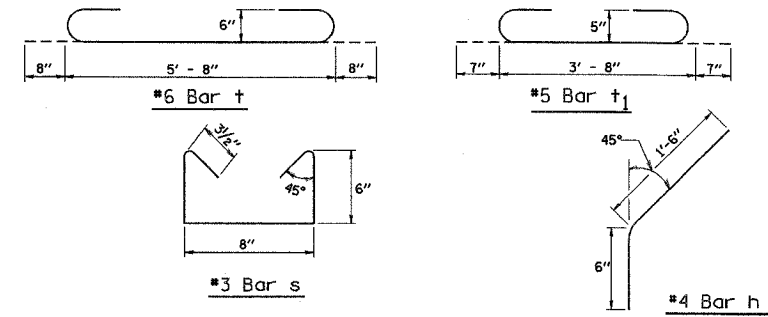
FRONT ELEVATION  
(DRAINAGE STRUCTURE, TYPE 8x3)  
TYPE 21 FRAME AND GRATE



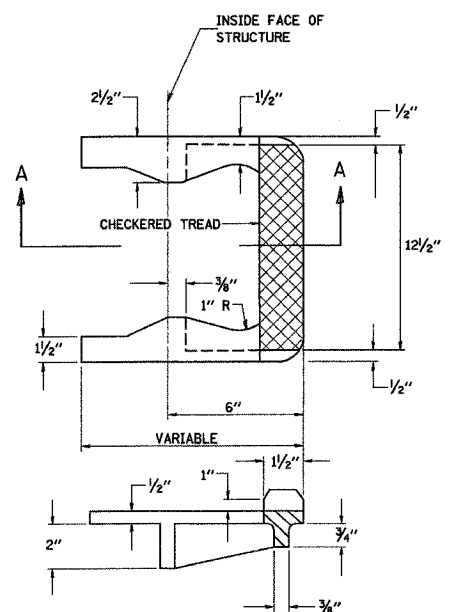
SIDE ELEVATION  
(DRAINAGE STRUCTURE, TYPE 8x3)



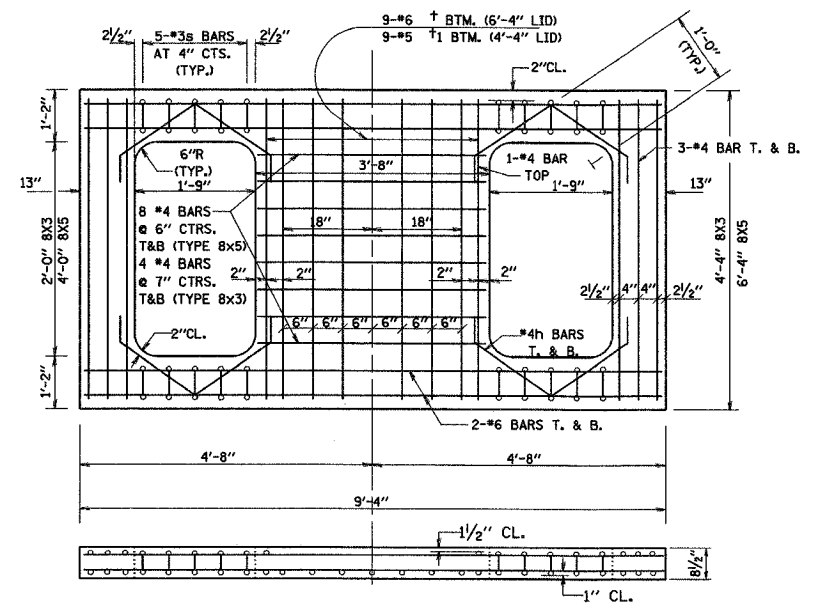
TYPICAL REINFORCEMENT DETAIL AROUND OPENINGS  
(OPENING > 12")



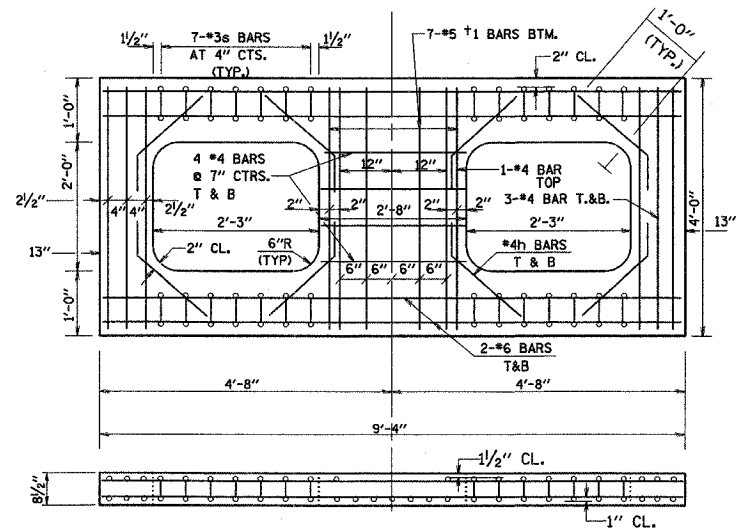
BAR DETAILS



SECTION A-A  
CAST IRON STEPS



REINFORCED LID FOR  
DRAINAGE STRUCTURES, TYPE 8x3 & 8x5  
TYPE 20 & 22 FRAME AND GRATE



REINFORCED LID FOR  
DRAINAGE STRUCTURE, TYPE 8x3  
TYPE 21 FRAME & GRATE  
(FOR USE IN SAG AREAS)

REVISIONS	
NAME	DATE

ILLINOIS DEPARTMENT OF TRANSPORTATION  
EXPRESSWAY UNIT DETAIL  
DRAINAGE STRUCTURES  
TYPES 8x3 & 8x5  
FOR H ≤ 8' - 0"

SCALE: NONE  
DATE: 1/19/2007  
DRAWN BY  
CHECKED BY  
CS-9

PLOT DATE = 1/19/07  
FILE NAME = c:\pwworkspace\autodesk\office2007\plottings\111111.dwg  
USER NAME = jbrubaker