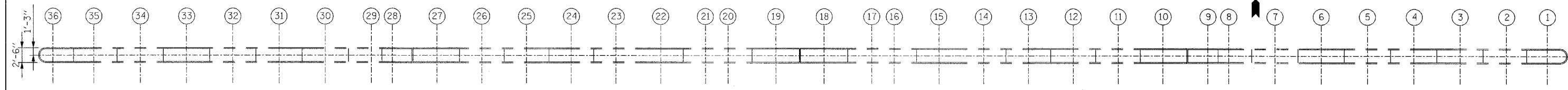
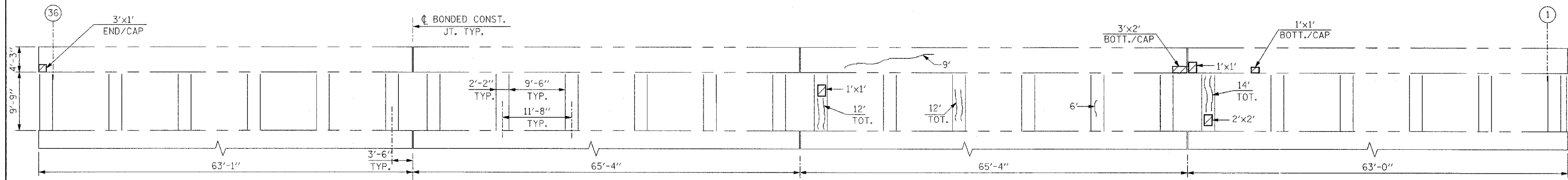


F.A.I. RTE.	SECTION	COUNTY	TOTAL SHEETS	SHEET NO.
290	2006-0301	COOK	78	45
STA.	TO STA.			
FED. ROAD DIST. NO.	ILLINOIS	FED. AID PROJECT		

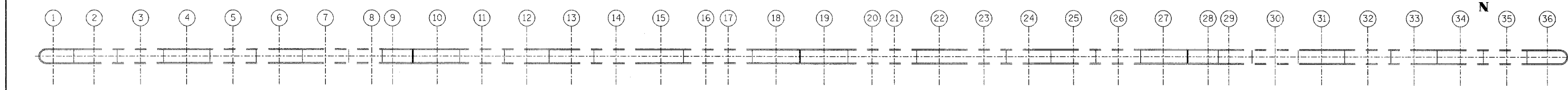
CONTRACT NO. 60B79



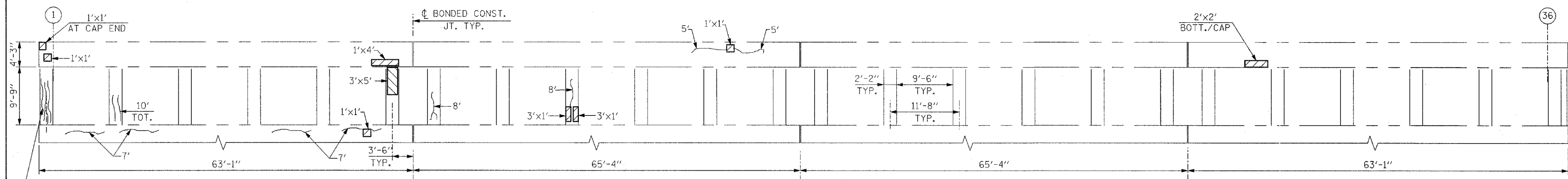
EXISTING TOP PLAN



EXISTING ELEVATION
(LOOKING NORTH)



EXISTING TOP PLAN



EXISTING ELEVATION
(LOOKING SOUTH)

- LEGEND:**
- STRUCTURAL REPAIR OF CONCRETE (DEPTH EQUAL TO OR LESS THAN 5")
 - EPOXY CRACK INJECTION
 - TOT. TOTAL LENGTHS OF CRACKS PER COLUMN LOOKING EITHER NORTH OR SOUTH.

BILL OF MATERIAL		
DESCRIPTION	UNIT	QUANTITY
STRUCTURAL REPAIR OF CONCRETE (DEPTH EQUAL TO OR LESS THAN 5")	SQ. FT.	56
EPOXY CRACK INJECTION	FT.	152

NOTES:
 CRACK WIDTHS ARE 1/8" ± 1/16" UNLESS OTHERWISE NOTED.
 REPAIR PATCH DIMENSIONS ARE CALLED OUT HORIZONTAL BY VERTICAL.

REVISIONS	
NAME	DATE

ILLINOIS DEPARTMENT OF TRANSPORTATION
PIER REPAIRS
 F.A.I. RTE. 290 (I-290) OVER
 N.W. TOLLWAY (I-90)
 F.A.I. RTE. 290 SECTION: 2006-0301
 COOK COUNTY STATION 637+76.18
 STRUCTURE NO. 016-0977

SCALE: DATE: MAY 10, 2007 DRAWN BY: D.L./F.M. CHECKED BY: B.N.S./J.C.N.
CHRISTIAN-ROGE & ASSOC., INC.
 CHICAGO ILLINOIS