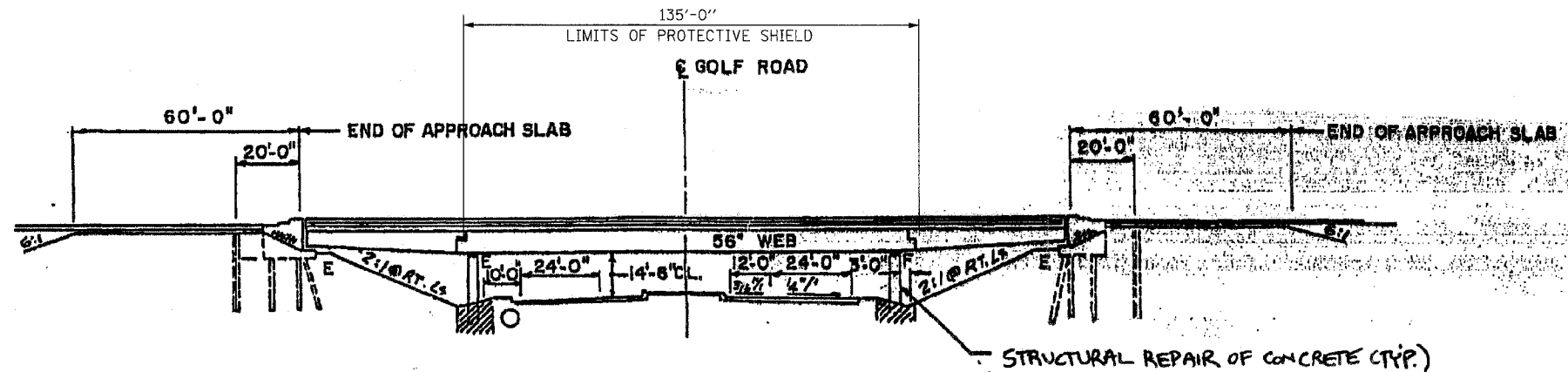


| | | | | |
|---------------------|-----------|------------------|--------------|-----------|
| F.A.I. RTE. | SECTION | COUNTY | TOTAL SHEETS | SHEET NO. |
| 290 | 2006-0301 | COOK | 78 | 51 |
| STA. | TO STA. | | | |
| FED. ROAD DIST. NO. | ILLINOIS | FED. AID PROJECT | | |

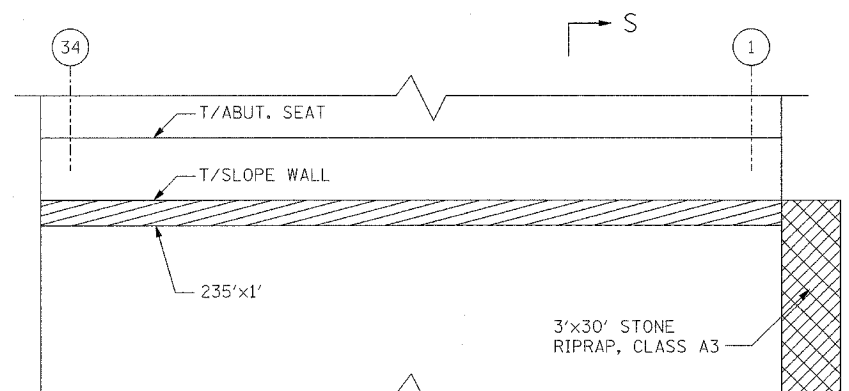
CONTRACT NO. 60879

GENERAL NOTES:

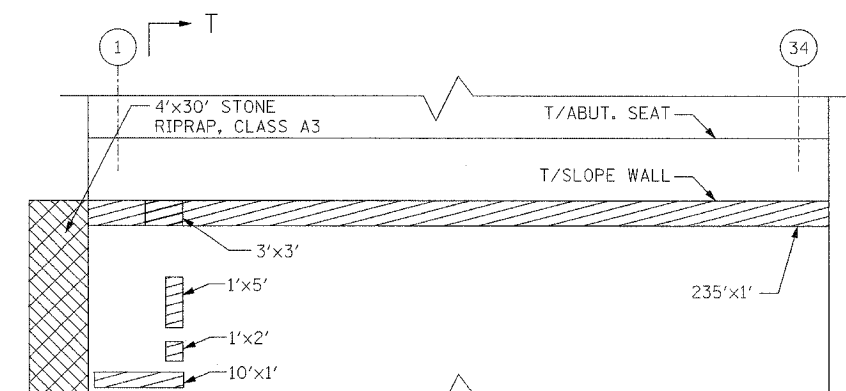
1. PLAN DIMENSIONS AND DETAILS RELATIVE TO EXISTING PLANS ARE SUBJECT TO ROUTINE VARIATIONS. THE CONTRACTOR SHALL FIELD VERIFY EXISTING DIMENSIONS AND DETAILS AFFECTING NEW CONSTRUCTION AND MAKE NECESSARY APPROVED ADJUSTMENTS PRIOR TO CONSTRUCTION OR ORDERING OF MATERIALS. SUCH VARIATIONS SHALL NOT BE CAUSE FOR ADDITIONAL COMPENSATION FOR A CHANGE IN SCOPE OF THE WORK, HOWEVER, THE CONTRACTOR WILL BE PAID FOR THE QUANTITY ACTUALLY FURNISHED BASED UPON THE UNIT PRICE BID FOR THE WORK.
2. THE CONTRACTOR MUST USE EXTREME CAUTION DURING CONCRETE REMOVAL AND MUST NOT NICK, CUT OR DAMAGE IN ANY WAY, ANY OF THE STEEL BEAMS. THE EXISTING REINFORCEMENT BARS EXTENDING INTO THE REMOVAL AREA SHALL BE CLEANED, STRAIGHTENED AND INCORPORATED INTO THE NEW CONSTRUCTION. ANY REINFORCEMENT BARS THAT ARE DAMAGED DURING CONCRETE REMOVAL SHALL BE REPLACED WITH AN APPROVED BAR SPLICER OR ANCHORAGE SYSTEM. COST INCLUDED WITH CONCRETE REMOVAL.
3. ALL STRUCTURAL STEEL SHALL CONFORM TO AASHTO CLASSIFICATION M-270, GR. 36 UNLESS OTHERWISE NOTED.
4. ALL EXPOSED CONCRETE EDGES SHALL BE CHAMFERED 3/4" UNLESS OTHERWISE NOTED.
5. REINFORCEMENT BARS SHALL CONFORM TO THE REQUIREMENTS OF ASTM A-706, GR. 60 (IL. MODIFIED), SEE SPECIAL PROVISIONS.
6. REINFORCEMENT BARS DESIGNATED (E) SHALL BE EPOXY COATED.



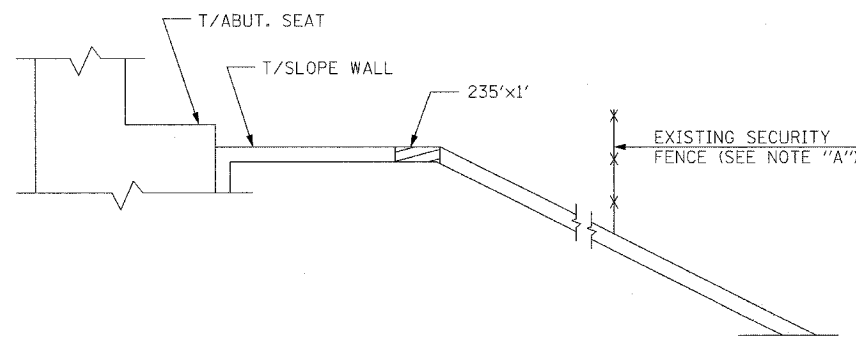
ELEVATION



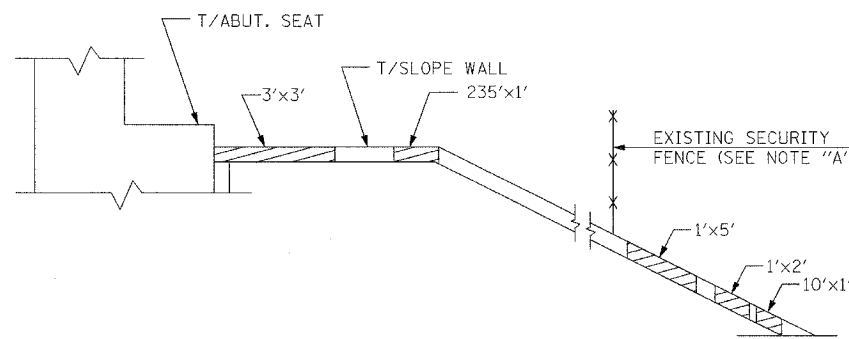
SOUTH ABUTMENT SLOPE WALL ELEVATION



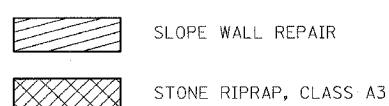
NORTH ABUTMENT SLOPE WALL ELEVATION



SECTION S-S



SECTION T-T



NOTE "A":

PRIOR TO BEGINNING WORK, CONTRACTOR SHALL DETERMINE WHETHER EXISTING SECURITY FENCE CONFLICTS WITH SLOPE WALL REPAIR. CONTRACTOR SHALL REMOVE AND REPLACE PORTIONS OF THE FENCE IF NECESSARY. COST INCLUDED WITH "SLOPE WALL REPAIR"

BILL OF MATERIAL

| DESCRIPTION | UNIT | QUANTITY |
|--|---------|----------|
| HOT-MIX ASPHALT SURFACE REMOVAL (DECK) | SQ. YD. | 5,609 |
| PROTECTIVE SHIELD | SQ. YD. | 3,510 |
| STRUCTURAL REPAIR OF CONCRETE (DEPTH EQUAL TO OR LESS THAN 5') | SQ. FT. | 290 |
| EPOXY CRACK INJECTION | FT. | 137 |
| POLYMER CONCRETE | CU. FT. | 45 |
| SILICONE JOINT SEALER, 1" | FT. | 456 |
| BRIDGE DECK LATEX CONCRETE OVERLAY, 2 1/2 INCHES | SQ. YD. | 5,609 |
| SILICONE JOINT SEALER, 2 1/2" | FT. | 239 |
| SILICONE JOINT SEALER, 1 3/4" | FT. | 239 |
| BRIDGE DECK HYDRO-SCARIFICATION 3/4" | SQ. YD. | 5,609 |
| FLOOR DRAINS | EACH | 20 |
| DECK SLAB REPAIR (FULL DEPTH, TYPE I) | SQ. YD. | 10 |
| DECK SLAB REPAIR (FULL DEPTH, TYPE II) | SQ. YD. | 91 |
| SLOPE WALL REPAIR | SQ. YD. | 56 |
| CONCRETE REMOVAL | CU. YD. | 63 |
| REINFORCEMENT BARS, EPOXY COATED | LB. | 19,530 |
| CONCRETE SUPERSTRUCTURE | CU. YD. | 90 |
| GUARDRAIL REMOVAL | FT. | 683 |
| TEMPORARY CONCRETE BARRIER | FT. | 910 |
| RELOCATE TEMPORARY CONCRETE BARRIER | FT. | 1,365 |
| CONCRETE BARRIER, DOUBLE FACE, 42 IN. | FT. | 683 |
| STONE RIPRAP, CLASS A3 | SQ. YD. | 24 |
| MODIFY EXISTING CONNECTION TO SIGN STRUCTURE | EACH | 4 |

| REVISIONS | |
|-----------|------|
| NAME | DATE |
| | |
| | |
| | |
| | |

ILLINOIS DEPARTMENT OF TRANSPORTATION
ELEVATION AND GENERAL NOTES
 F.A.I. RTE. 290 (I-290) OVER GOLF ROAD
 F.A.I. RTE. 290 SECTION: 2006-0301
 COOK COUNTY STATION 612+95.92
 STRUCTURE NO. 016-0980

SCALE: DATE: MAY 10, 2007
 DRAWN BY: D.L./F.M.
 CHECKED BY: B.N.S./J.C.N.
CHRISTIAN-ROGE & ASSOC., INC.
 CHICAGO ILLINOIS