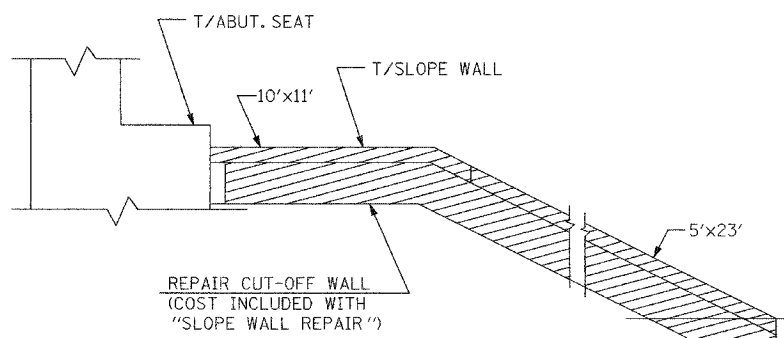
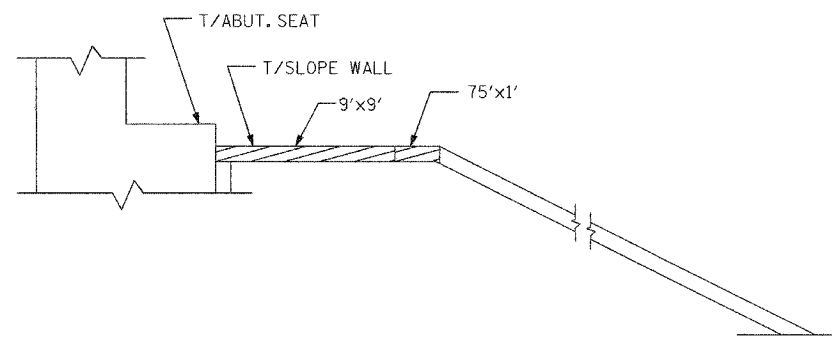
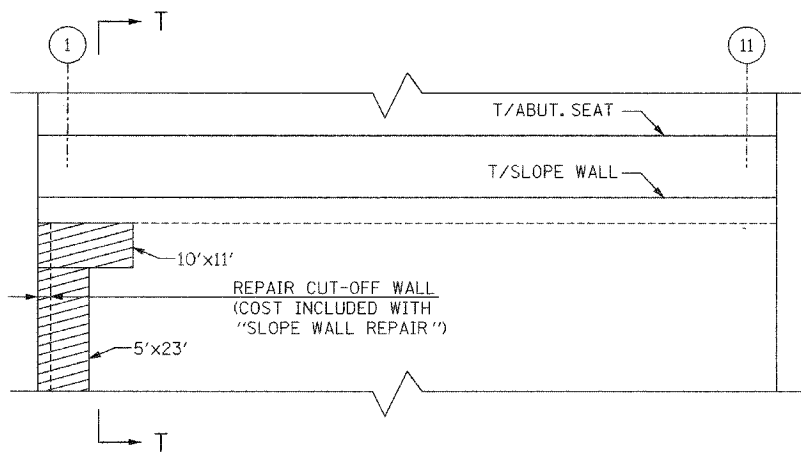
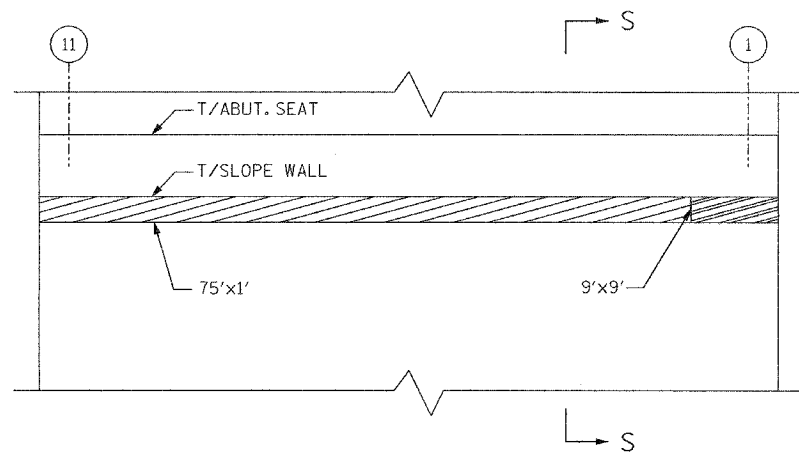
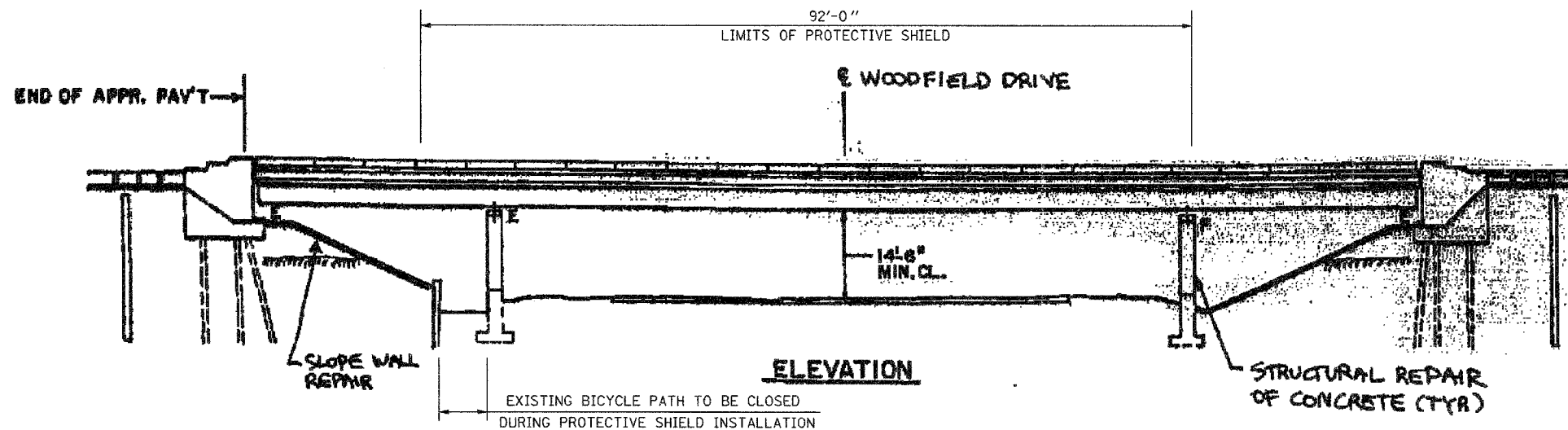


F.A.I. NO.	SECTION	COUNTY	TOTAL SHEETS	SHEET NO.
290	2006-0301	COOK	78	64
STA.	TO STA.			
FED. ROAD DIST. NO.	ILLINOIS	FED. AID PROJECT		

CONTRACT NO. 60B79

GENERAL NOTES:

1. PLAN DIMENSIONS AND DETAILS RELATIVE TO EXISTING PLANS ARE SUBJECT TO ROUTINE VARIATIONS. THE CONTRACTOR SHALL FIELD VERIFY EXISTING DIMENSIONS AND DETAILS AFFECTING NEW CONSTRUCTION AND MAKE NECESSARY APPROVED ADJUSTMENTS PRIOR TO CONSTRUCTION OR ORDERING OF MATERIALS. SUCH VARIATIONS SHALL NOT BE CAUSE FOR ADDITIONAL COMPENSATION FOR A CHANGE IN SCOPE OF THE WORK. HOWEVER, THE CONTRACTOR WILL BE PAID FOR THE QUANTITY ACTUALLY FURNISHED BASED UPON THE UNIT PRICE BID FOR THE WORK.
2. THE CONTRACTOR MUST USE EXTREME CAUTION DURING CONCRETE REMOVAL AND MUST NOT NICK, CUT OR DAMAGE IN ANY WAY, ANY OF THE STEEL BEAMS. THE EXISTING REINFORCEMENT BARS EXTENDING INTO THE REMOVAL AREA SHALL BE CLEANED, STRAIGHTENED AND INCORPORATED INTO THE NEW CONSTRUCTION. ANY REINFORCEMENT BARS THAT ARE DAMAGED DURING CONCRETE REMOVAL SHALL BE REPLACED WITH AN APPROVED BAR SPLICER OR ANCHORAGE SYSTEM. COST INCLUDED WITH CONCRETE REMOVAL.
3. ALL STRUCTURAL STEEL SHALL CONFORM TO AASHTO CLASSIFICATION M-270, GR. 36 UNLESS OTHERWISE NOTED.
4. ALL EXPOSED CONCRETE EDGES SHALL BE CHAMFERED 3/4" UNLESS OTHERWISE NOTED.
5. REINFORCEMENT BARS SHALL CONFORM TO THE REQUIREMENTS OF ASTM A-706, GR. 60 (IL. MODIFIED). SEE SPECIAL PROVISIONS.
6. REINFORCEMENT BARS DESIGNATED (E) SHALL BE EPOXY COATED.



SLOPE WALL REPAIR

BILL OF MATERIAL		
DESCRIPTION	UNIT	QUANTITY
HOT-MIX ASPHALT SURFACE REMOVAL (DECK)	SQ. YD.	1,303
PROTECTIVE SHIELD	SQ. YD.	765
STRUCTURAL REPAIR OF CONCRETE (DEPTH EQUAL TO OR LESS THAN 5")	SQ. FT.	93
EPOXY CRACK INJECTION	FT.	4
BRIDGE DECK LATEX CONCRETE OVERLAY, 2 1/2 INCHES	SQ. YD.	1,303
SILICONE JOINT SEALER, 1 3/4"	FT.	76
SILICONE JOINT SEALER, 2 3/4"	FT.	74
BRIDGE DECK HYDRO-SCARIFICATION 3/4"	SQ. YD.	1,303
FLOOR DRAIN EXTENSION	EACH	8
DECK SLAB REPAIR (FULL DEPTH, TYPE I)	SQ. YD.	5
DECK SLAB REPAIR (FULL DEPTH, TYPE II)	SQ. YD.	95
SLOPE WALL REPAIR	SQ. YD.	43
REINFORCEMENT BARS, EPOXY COATED	LB.	1,800
CONCRETE SUPERSTRUCTURE	CU. YD.	9
PLUG EXISTING FLOOR DRAINS	EACH	12

ILLINOIS DEPARTMENT OF TRANSPORTATION

ELEVATION AND GENERAL NOTES

F.A.I. RTE. 290 (I-290) OVER WOODFIELD DRIVE

F.A.I. RTE. 290 SECTION: 2006-0301

COOK COUNTY STATION 583+97.56

STRUCTURE NO. 016-0978

SCALE: DATE: MAY 10, 2007

DRAWN BY: D.L./F.M. CHECKED BY: B.N.S./J.C.N.

CHRISTIAN-ROGE & ASSOC., INC. CHICAGO ILLINOIS

REVISIONS	
NAME	DATE