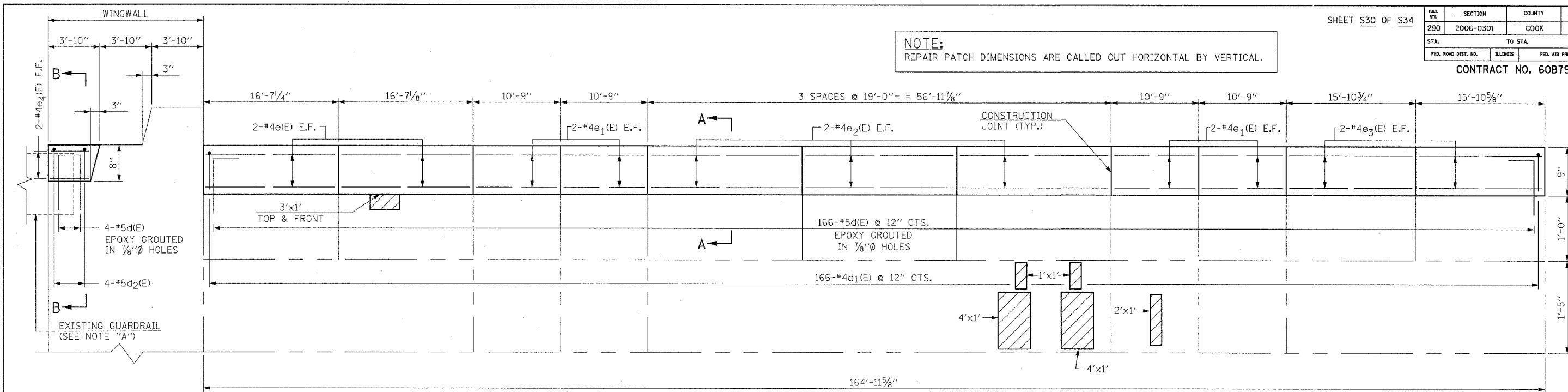


F.A.I. RTE.	SECTION	COUNTY	TOTAL SHEETS	SHEET NO.
290	2006-0301	COOK	78	67
STA.	TO STA.			
FED. ROAD DIST. NO.	ILLINOIS	FED. AID PROJECT		

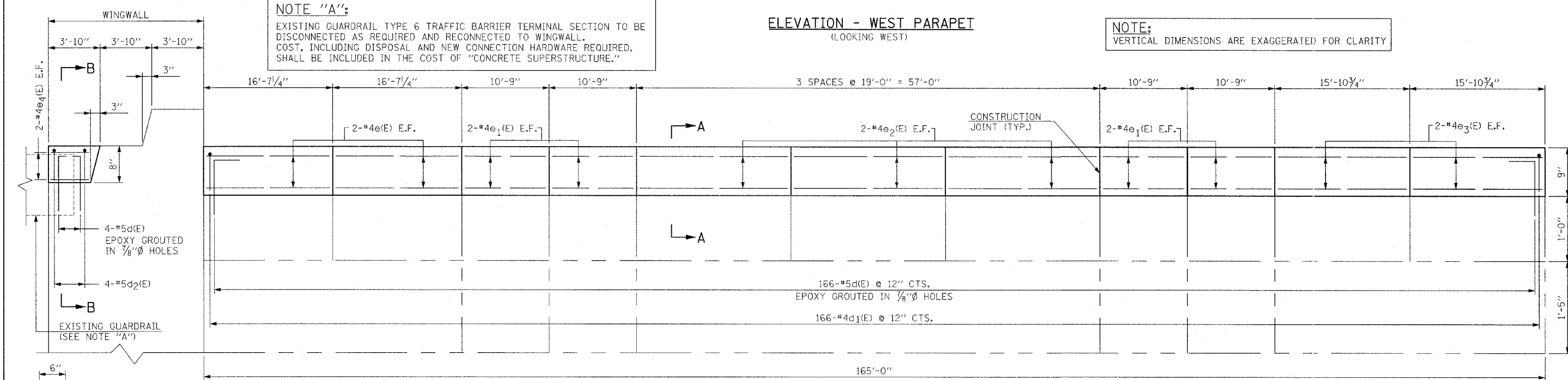
CONTRACT NO. 60B79

**NOTE:**  
REPAIR PATCH DIMENSIONS ARE CALLED OUT HORIZONTAL BY VERTICAL.



**NOTE "A":**  
EXISTING GUARDRAIL TYPE 6 TRAFFIC BARRIER TERMINAL SECTION TO BE DISCONNECTED AS REQUIRED AND RECONNECTED TO WINGWALL. COST, INCLUDING DISPOSAL AND NEW CONNECTION HARDWARE REQUIRED, SHALL BE INCLUDED IN THE COST OF "CONCRETE SUPERSTRUCTURE."

**NOTE:**  
VERTICAL DIMENSIONS ARE EXAGGERATED FOR CLARITY



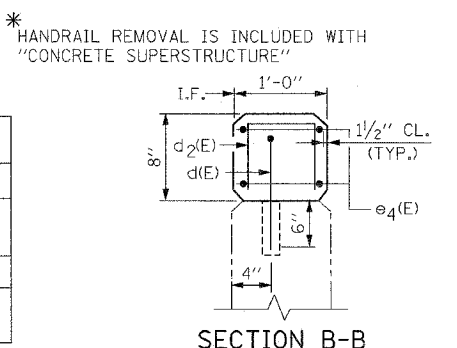
REINFORCEMENT BAR SCHEDULE				
BAR	NO.	SIZE	LENGTH	SHAPE
d(E)	340	#5	1'-7"	└┘
d1(E)	332	#4	1'-7"	└┘
d2(E)	8	#4	1'-7"	└┘
e(E)	16	#4	16'-3"	—
e1(E)	32	#4	10'-5"	—
e2(E)	24	#4	18'-8"	—
e3(E)	16	#4	15'-6"	—
e4(E)	8	#4	3'-3"	—

**WORK TO BE PERFORMED:**

- \* REMOVE BRIDGE HANDRAIL.
- PERFORM REPAIRS.
- CONSTRUCT PARAPET EXTENSIONS.

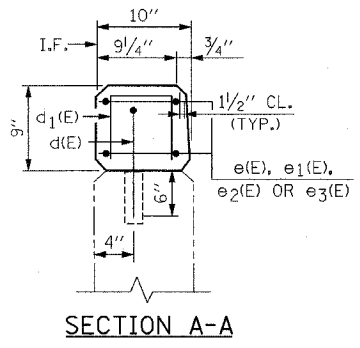
BILL OF MATERIAL		
DESCRIPTION	UNIT	QUANTITY
STRUCTURAL REPAIR OF CONCRETE (DEPTH EQUAL TO OR LESS THAN 5")	SQ. FT.	17
CONCRETE SUPERSTRUCTURE	CU. YD.	9
REINFORCEMENT BARS, EPOXY COATED	LB.	1,800

**ELEVATION - EAST PARAPET (LOOKING WEST)**



**LEGEND:**

- STRUCTURAL REPAIR OF CONCRETE (DEPTH EQUAL TO OR LESS THAN 5")
- T, F.F. = TOP & FRONT FACE
- T, B.F. = TOP & BACK FACE
- T = TOP
- E.F. = EACH FACE
- I.F. = INSIDE FACE



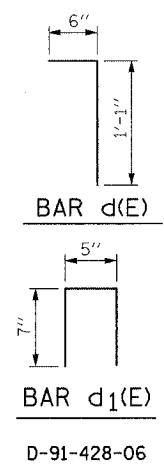
REVISIONS	
NAME	DATE

ILLINOIS DEPARTMENT OF TRANSPORTATION

**PARAPET REPAIRS**  
F.A.I. RTE. 290 (I-290) OVER WOODFIELD DRIVE  
F.A.I. RTE. 290 SECTION: 2006-0301  
COOK COUNTY STATION 583+97.56  
STRUCTURE NO. 016-0978

SCALE: DATE: MAY 10, 2007  
DRAWN BY: D.L./F.M.  
CHECKED BY: B.N.S./J.C.N.

**CHRISTIAN-ROGE & ASSOC., INC.**  
CHICAGO ILLINOIS



DATE PLOTTED: 10/27/07 10:27:30 AM