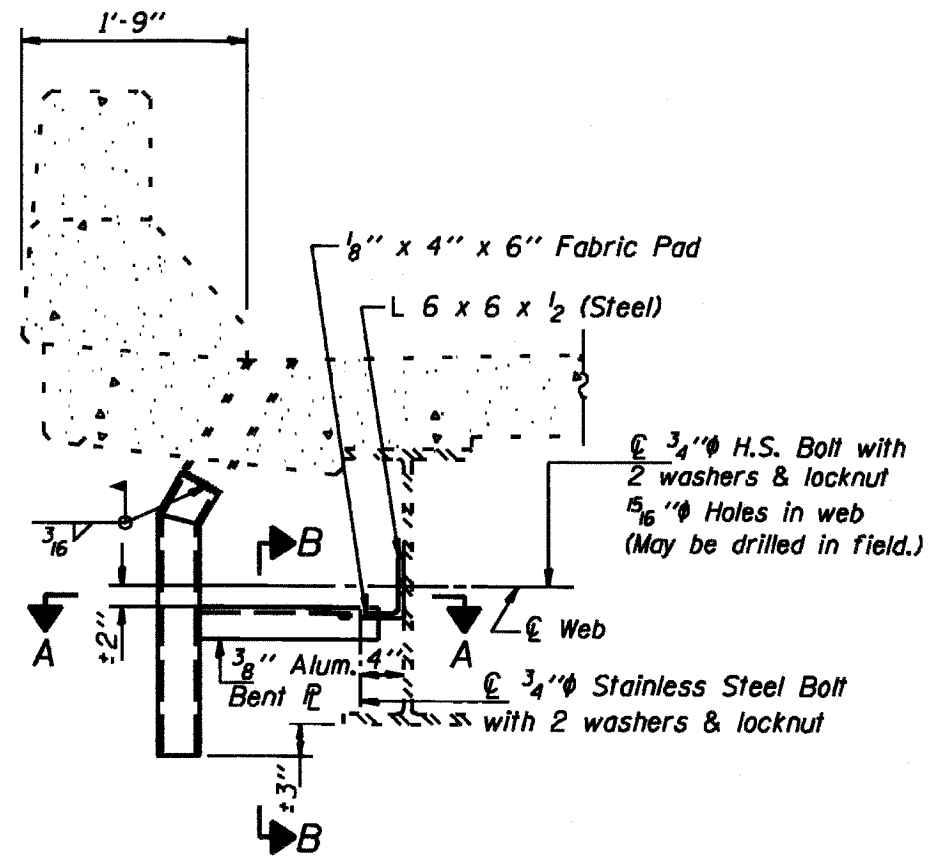
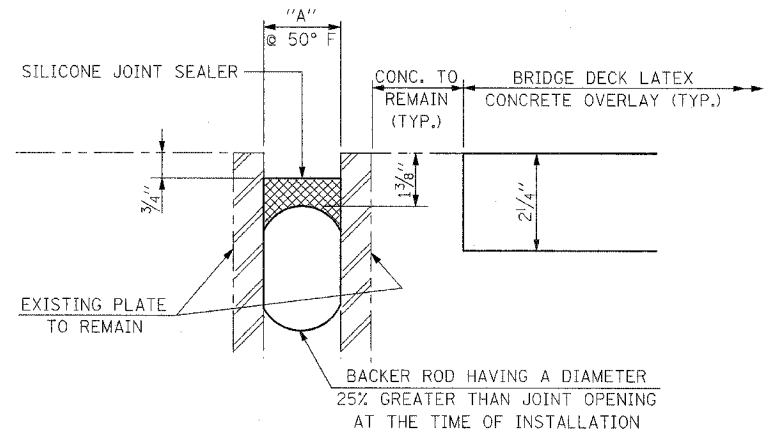


F.A.I. RTE.	SECTION	COUNTY	TOTAL SHEETS	SHEET NO.
290	2006-0301	COOK	78	72A
STA.	TO STA.			
FED. ROAD DIST. NO.	ILLINOIS	FED. AID PROJECT		

CONTRACT NO. 60B79



**SECTION AT DRAIN**



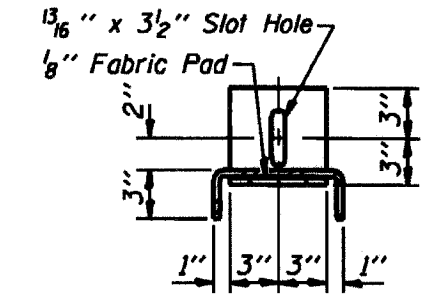
**SECTION C-C  
AT ABUTMENTS**

(EXISTING PREFORMED JOINT SEAL-TRANSVERSE EXPANSION JOINT)

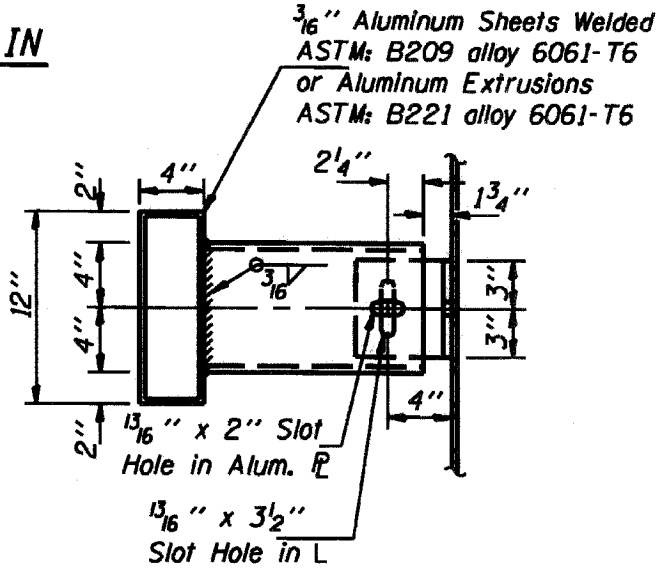
**NOTES:**

1. PLAN DIMENSIONS AND DETAILS RELATIVE TO EXISTING PLANS ARE SUBJECT TO ROUTINE VARIATIONS. THE CONTRACTOR SHALL FIELD VERIFY EXISTING DIMENSIONS AND DETAILS AFFECTING NEW CONSTRUCTION AND MAKE NECESSARY APPROVED ADJUSTMENTS PRIOR TO CONSTRUCTION OR ORDERING OF MATERIALS. SUCH VARIATIONS SHALL NOT BE CAUSE FOR ADDITIONAL COMPENSATION FOR A CHANGE IN SCOPE OF THE WORK, HOWEVER, THE CONTRACTOR WILL BE PAID FOR THE QUANTITY ACTUALLY FURNISHED BASED UPON THE UNIT PRICE BID FOR THE WORK.
2. COST FOR REMOVAL OF EXISTING JOINT IS INCLUDED IN THE COST OF SILICONE JOINT SEALER.

LOCATION	DIM "A"	LENGTH OF SILICONE JOINT SEALER
NORTH ABUTMENT	1 3/4"	76'-0"
SOUTH ABUTMENT	2 3/4"	74'-0"

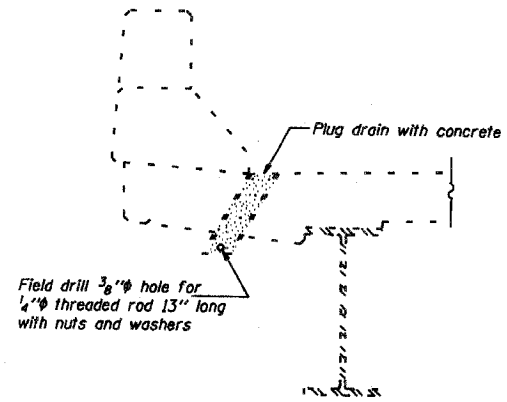


**SECTION B-B**



**SECTION A-A**

**DRAIN EXTENSION DETAIL**  
(8 THUS - SEE SHT S26 FOR LOCATIONS)



**SECTION AT DRAIN**

**DRAIN PLUGGING DETAIL**  
(12 THUS - SEE SHT S26 FOR LOCATIONS)

BILL OF MATERIAL		
DESCRIPTION	UNIT	QUANTITY
SILICONE JOINT SEALER, 1 3/4"	FT.	76
SILICONE JOINT SEALER, 2 3/4"	FT.	74
PLUG EXISTING FLOOR DRAINS	EACH	12
FLOOR DRAIN EXTENSION	EACH	8

REVISIONS	
NAME	DATE

ILLINOIS DEPARTMENT OF TRANSPORTATION  
 JOINT RESEALING AND DRAIN EXTENSION DETAILS  
 F.A.I. RTE. 290 (I-290) OVER WOODFIELD DRIVE  
 F.A.I. RTE. 290 SECTION: 2006-0301  
 COOK COUNTY STATION 583+97.56  
 STRUCTURE NO. 016-0978  
 SCALE: DATE: MAY 10, 2007  
 DRAWN BY: D.L./F.M.  
 CHECKED BY: B.N.S./J.C.N.  
**CHRISTIAN-ROGE & ASSOC., INC.**  
 CHICAGO ILLINOIS