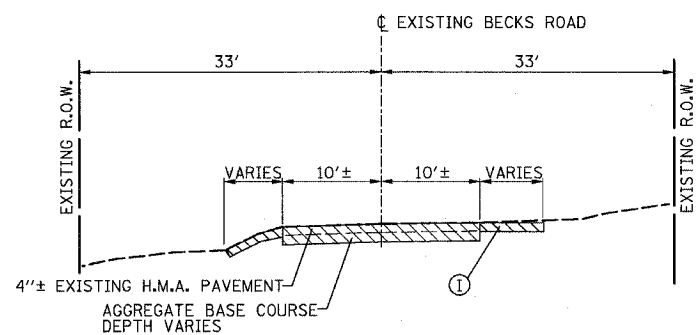
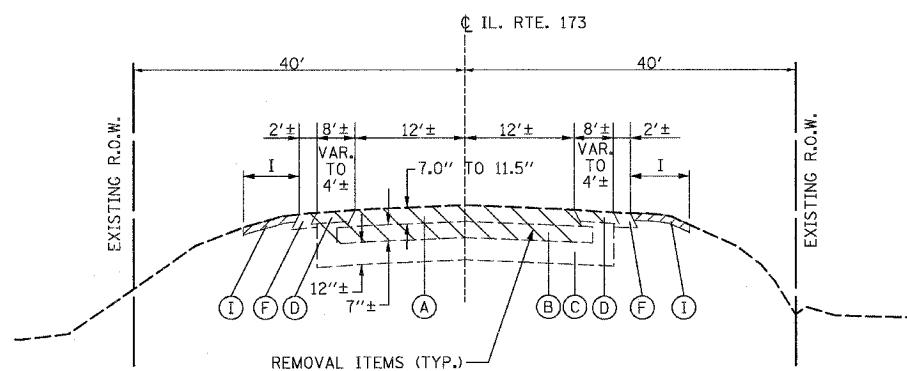


F.A.P. RTE.	SECTION	COUNTY	TOTAL SHEETS	SHEET NO.
303	131B (1&2) BR	McHENRY	107	9
STA.		TO STA.		
FED. ROAD DIST. NO.	ILLINOIS	FED. AID PROJECT		

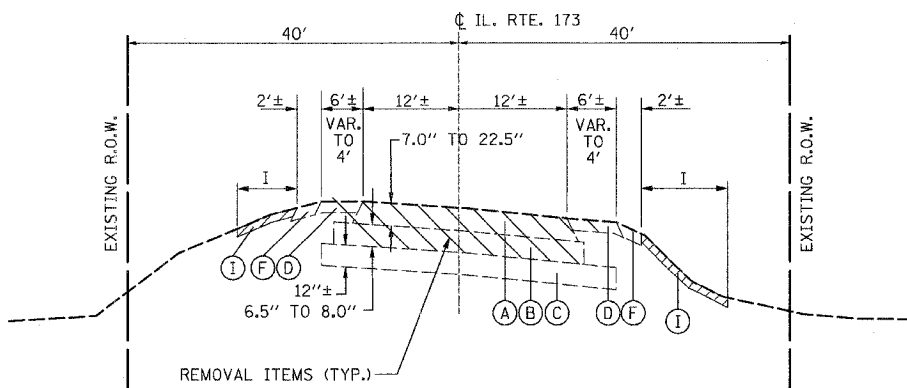
CONTRACT NO. 60B83



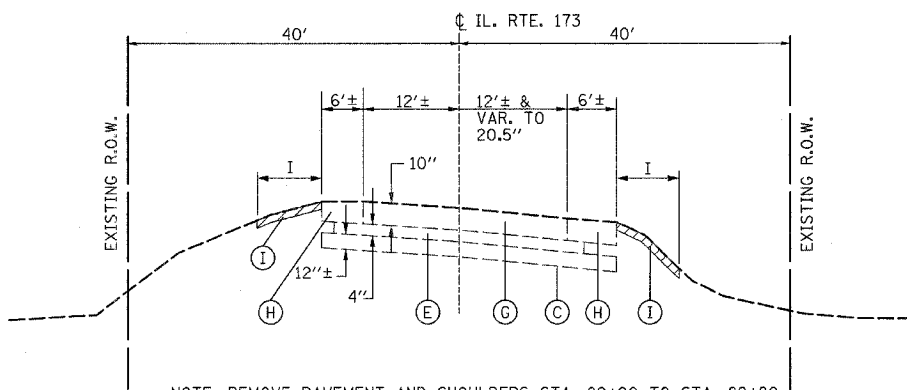
EXISTING TYPICAL SECTION BECKS ROAD



ILLINOIS ROUTE 173 - STA. 97+59 to STA. 105+00



ILLINOIS ROUTE 173 - STA. 90+60 to STA. 97+59



NOTE: REMOVE PAVEMENT AND SHOULDERS STA. 89+00 TO STA. 89+80

ILLINOIS ROUTE 173 - STA. 86+00 to STA. 89+80

EXISTING LEGEND

- (A) EXIST. HOT MIX ASPHALT (HMA) PAVEMENT
- (B) EXIST. PCC BASE COURSE
- (C) EXIST. AGGREGATE SUBGRADE, 12"±
- (D) EXIST. HMA SHOULDER
- (E) EXIST. HMA SUB-BASE
- (F) EXIST. AGGREGATE SHOULDER
- (G) EXIST. P.C.C. PAVEMENT, 10"±
- (H) EXIST. P.C.C. SHOULDER, 10"±
- (I) TOPSOIL STRIPPING, 6" DEPTH & VARIES SEE CROSS-SECTIONS FOR CONSTRUCTION LIMITS

REMOVAL ITEMS

TOPSOIL STRIPPING, 6" AVG. DEPTH

REVISIONS	
NAME	DATE

ILLINOIS DEPARTMENT OF TRANSPORTATION
EXISTING TYPICAL SECTIONS
ILLINOIS ROUTE 173 & BECKS ROAD

SCALE: NONE
DATE: APRIL 16, 2007
DRAWN BY: H.J.B.
CHECKED BY: S.J.P.

CR & A
CHRISTIAN-ROGE & ASSOCIATES, INC.
ENGINEERS-PLANNERS-SURVEYORS
211 WEST WACKER DRIVE
CHICAGO, ILLINOIS 60606
1-312-372-2023 FAX: 1-312-372-5274