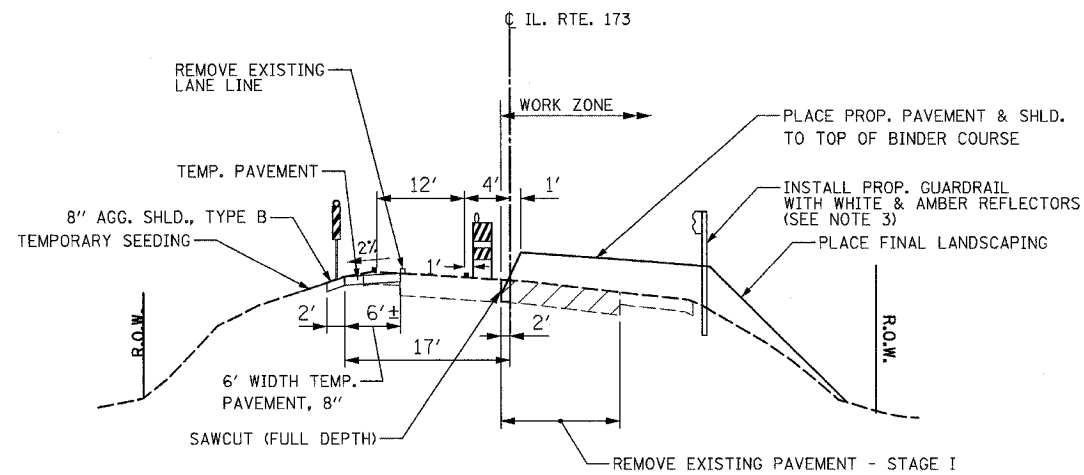


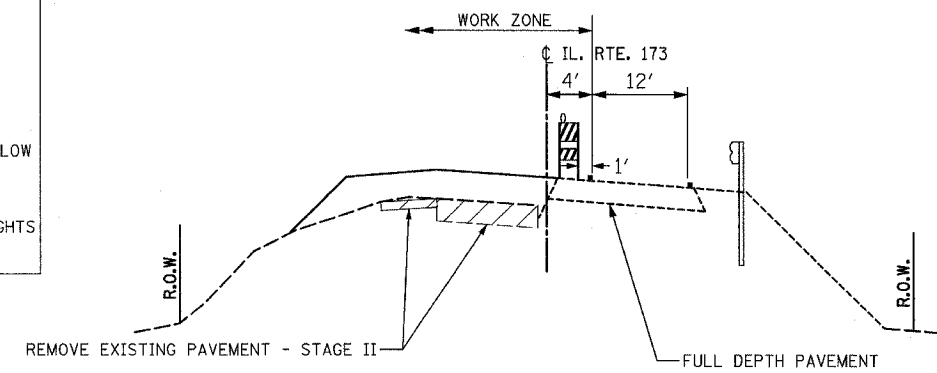
### STAGE I-A&B TYPICAL SECTIONS



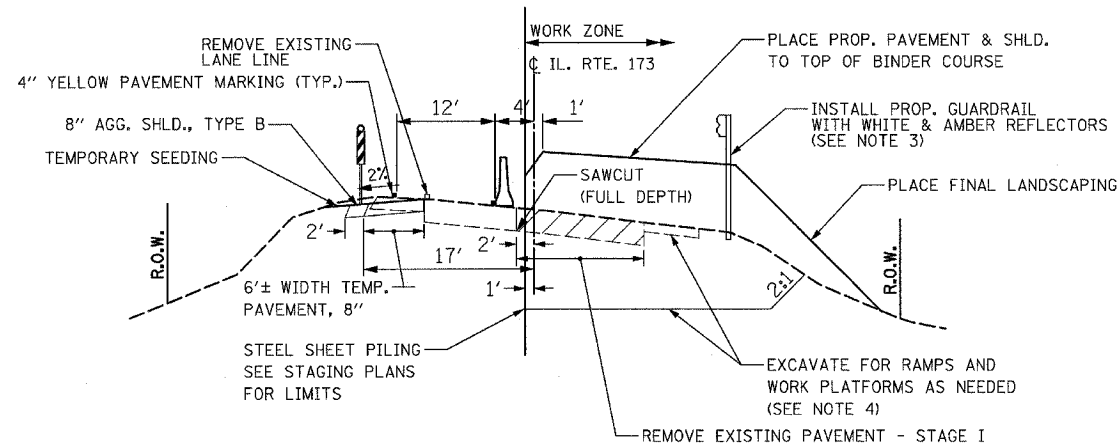
STA. 95+00 TO STA. 97+00  
STA. 102+60 TO STA. 106+40

| LEGENDS | DESCRIPTION  |
|---------|--|
|         | DOUBLE SIDED VERTICAL PANEL 1'                           |
|         | TEMPORARY CONCRETE BARRIER (T.C.B.) W/STEADY BURN LIGHTS |
|         | TEMPORARY PAVEMENT MARKING, 4" YELLOW                    |
|         | EXISTING PAVEMENT MARKING                                |
|         | TYPE II BARRICADE W/STEADY BURN LIGHTS                   |

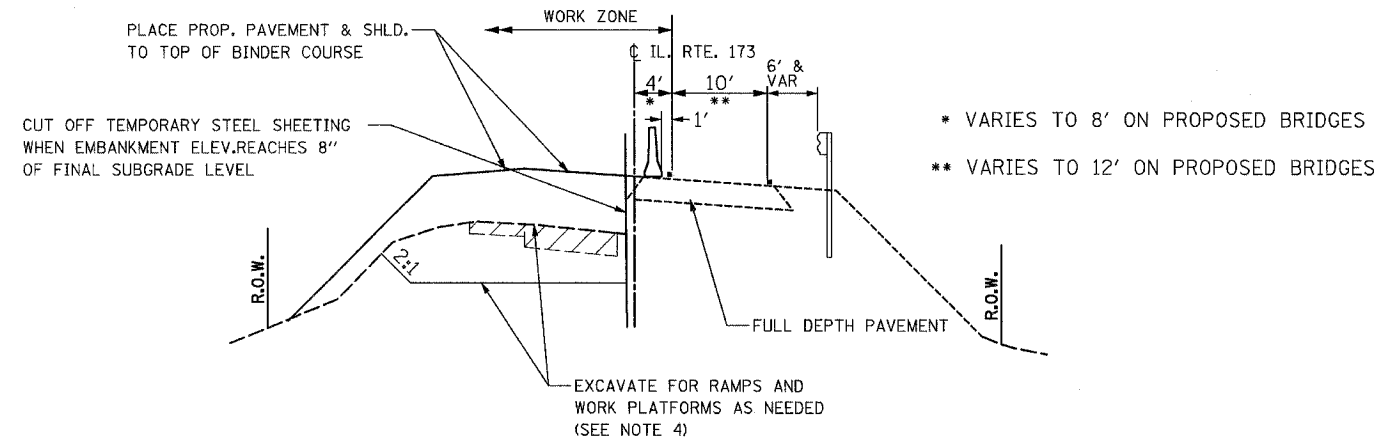
### STAGE II-A&B TYPICAL SECTIONS



STA. 95+00 TO STA. 97+00

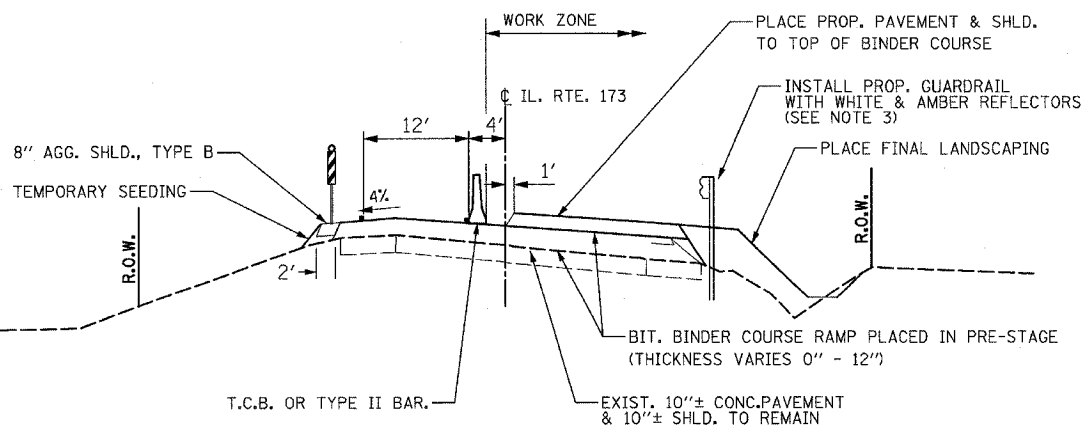


STA. 89+00 TO STA. 95+00  
STA. 97+00 TO STA. 102+60



STA. 89+00 TO STA. 95+00  
STA. 97+00 TO STA. 103+75

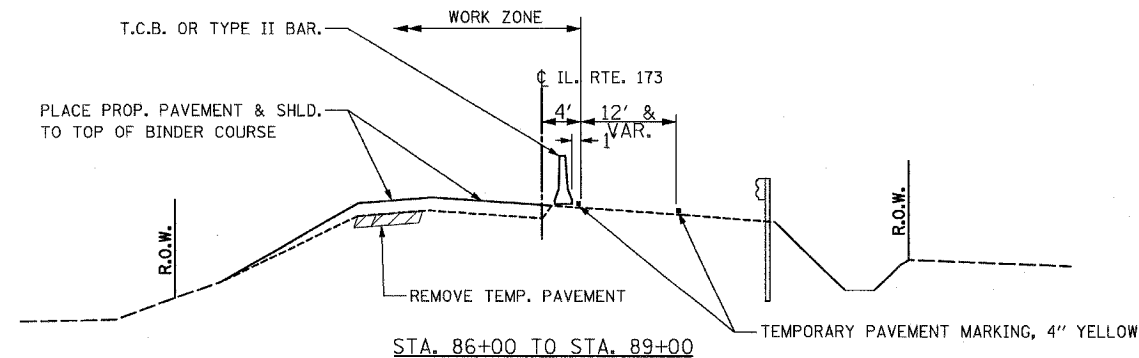
\* VARIES TO 8' ON PROPOSED BRIDGES  
\*\* VARIES TO 12' ON PROPOSED BRIDGES



STA. 86+00 TO STA. 89+00

#### NOTES:

- ALL TEMPORARY PAVEMENT MARKINGS ON EXISTING PAVEMENT TO REMAIN IN PLACE AND ON NEW PAVEMENT SHALL BE PAVEMENT MARKING TAPE, TYPE III. REMOVAL OF TAPE, TYPE III TO BE PAID FOR AS "WORK ZONE PAVEMENT MARKING REMOVAL".
- FOR TRAFFIC STAGING SECTIONS AT BRIDGES, SEE DRAWING NOS. 44 & 66.
- AMBER REFLECTORS SHALL BE PLACED FACING WEST BOUND TRAFFIC AND SHALL BE REMOVED AT THE END OF STAGE II.
- THE LOCATION OF RAMP AND WORK PLATFORMS SHOWN ARE APPROXIMATE. THE CONTRACTOR SHALL DETERMINE THE LOCATION, DEPTH, AND WIDTH OF ANY ACCESS TO THE CREEK BED BASED ON HIS OPERATIONS. HOWEVER, THE CONTRACTOR SHALL NOT GO BEYOND THE CONSTRUCTION LIMITS. THE ADDITIONAL COST OF EMBANKMENT, TEMPORARY SHEETING, AND AGGREGATE ALONG WITH ANY ADDITIONAL MATERIAL OR LABOR SHALL BE INCLUDED IN THE COST OF THE STRUCTURAL ITEMS OF WORK.



STA. 86+00 TO STA. 89+00

**CHRISTIAN-ROGE & ASSOCIATES, INC.**  
ENGINEERS-PLANNERS-SURVEYORS  
211 WEST WACKER DRIVE  
CHICAGO, ILLINOIS 60606  
1-312-372-2023 FAX: 1-312-372-5274

| REVISIONS |      |
|-----------|------|
| NAME      | DATE |
|           |      |
|           |      |
|           |      |
|           |      |
|           |      |
|           |      |

ILLINOIS DEPARTMENT OF TRANSPORTATION  
SUGGESTED CONSTRUCTION STAGING  
TYPICAL SECTIONS  
ILLINOIS ROUTE 173

SCALE: NONE  
DATE: APRIL 25, 2007  
DRAWN BY: A.C.S./M.A.  
CHECKED BY: S.J.P.