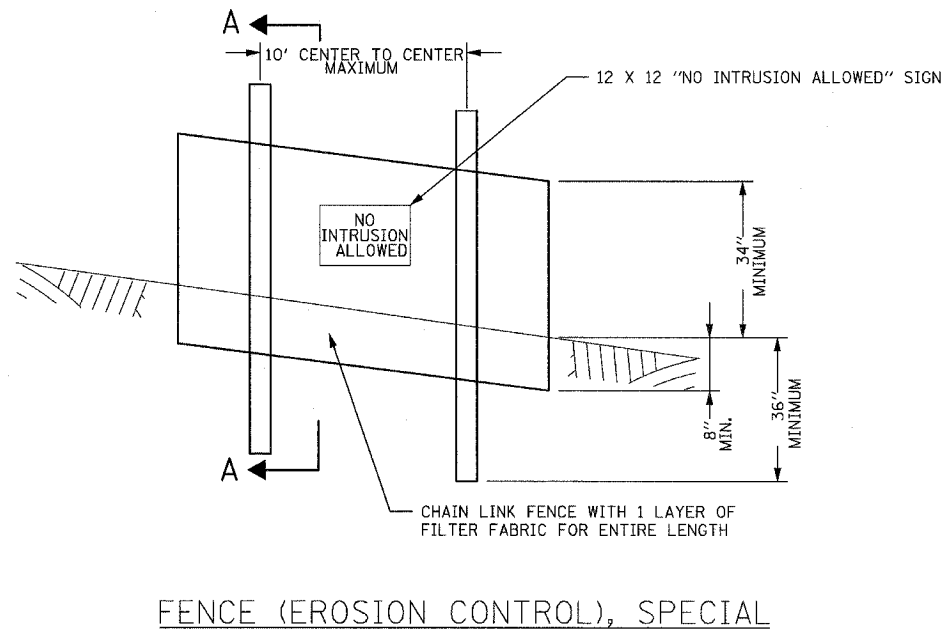
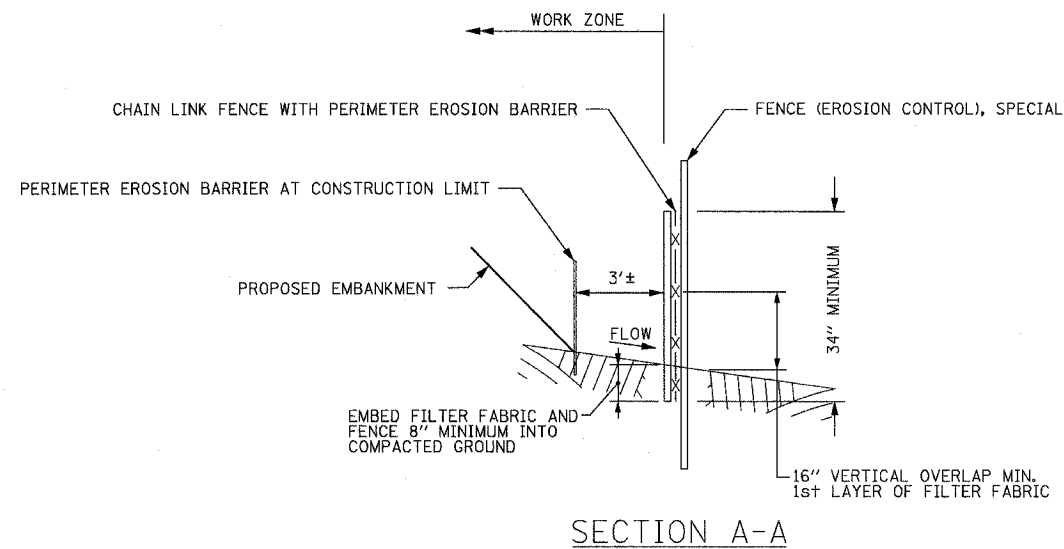


F.A.P. RTE.	SECTION	COUNTY	TOTAL SHEETS	SHEET NO.
303	131B (1&2) BR	McHENRY	107	30
STA.		TO STA.		
FED. ROAD DIST. NO.		ILLINOIS	FED. AID PROJECT	

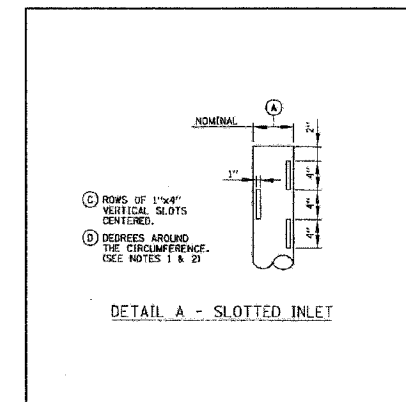
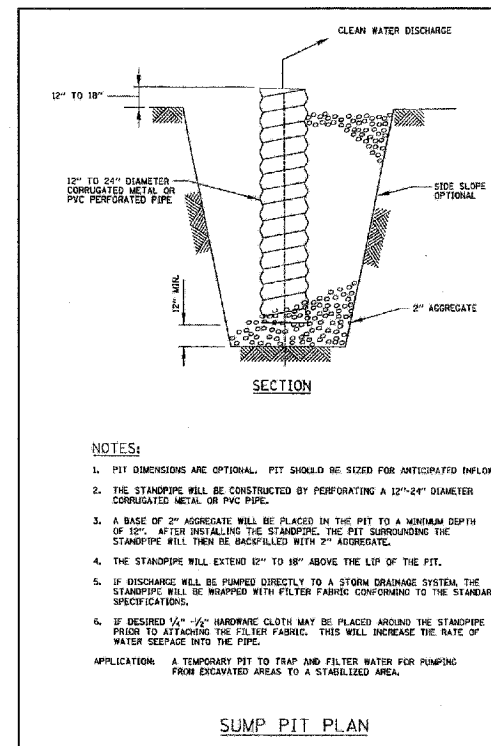
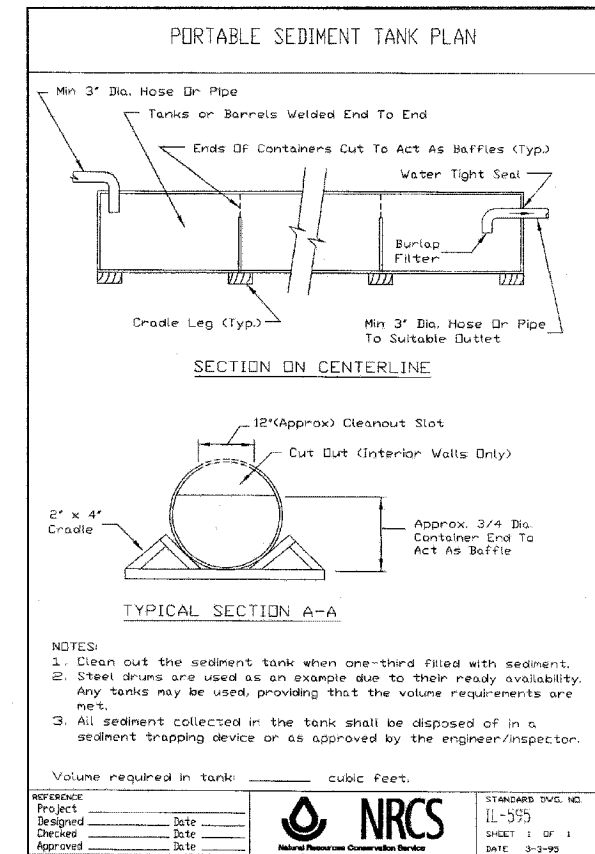
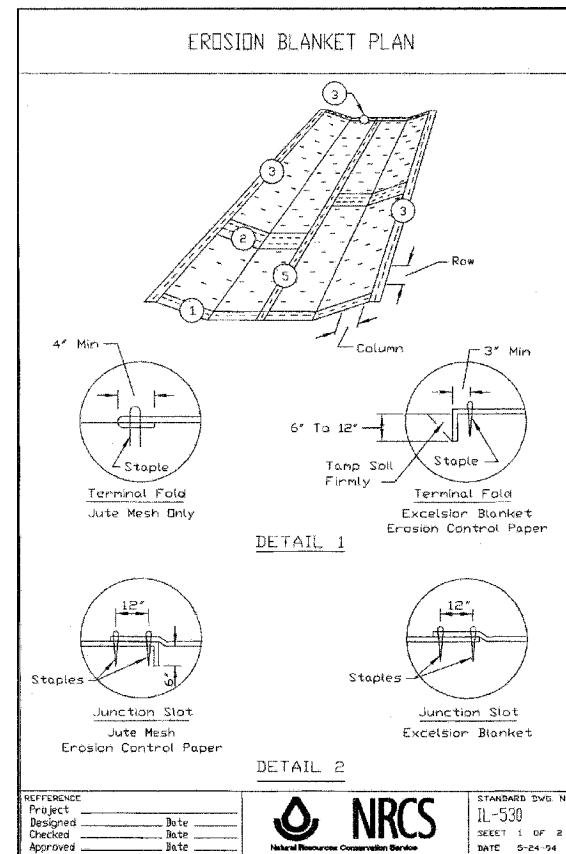
CONTRACT NO. 60B83

EROSION & SEDIMENT CONTROL DETAILS



FENCE (EROSION CONTROL), SPECIAL NOTES:

- FENCING SHALL BE 42" IN HEIGHT AND CONSTRUCTED IN ACCORDANCE WITH IDOT STANDARD 664001 (CHAIN LINK FENCE). THE SPECIFICATION FOR A 6' FENCE SHALL BE USED, SUBSTITUTING 42" FABRIC AND 8' LENGTH POSTS.
- CHAIN LINK FENCE SHALL BE FASTENED SECURELY TO THE FENCE POSTS WITH WIRE TIES. THE LOWER TENSION WIRE, BRACE AND TRUSS RODS, DRIVE ANCHORS AND POST CAPS ARE NOT REQUIRED. ALL POSTS FOR FENCE EROSION CONTROL (SPECIAL) SHALL BE LINE POSTS. PULL POSTS, CORNER POSTS, HORIZONTAL BRACING AND TIE RODS ARE NOT REQUIRED.
- SILT FILTER FABRIC SHALL BE FASTENED SECURELY TO THE CHAIN LINK FENCE WITH TIES SPACED EVERY 24" AT THE TOP AND MID SECTION.
- SILT FILTER FABRIC AND CHAIN LINK FENCE SHALL BE EMBEDDED 8" INTO THE GROUND.
- WHEN TWO SECTIONS OF SILT FILTER FABRIC ADJOIN EACH OTHER, THEY SHALL BE OVERLAPPED 2' HORIZONTALLY.
- MAINTENANCE SHALL BE PERFORMED AS NEEDED. SILT BUILD-UP AGAINST FENCE SHALL BE INSPECTED AFTER EVERY STORM EVENT AND REMOVED WHEN SILT REACHES 50% OF FENCE HEIGHT.
- SILT FILTER FABRIC SHALL CONFORM TO THE STANDARD SPECIFICATION 280.
- FENCE (EROSION CONTROL), SPECIAL SHALL HAVE TWELVE (12)- 12" X 12" "NO INTRUSION ALLOWED" SIGNS. THE COST OF THIS SHALL BE INCLUDED AS PART OF THE UNIT COST FOR FENCE (EROSION CONTROL), SPECIAL.



REVISIONS		ILLINOIS DEPARTMENT OF TRANSPORTATION
NAME	DATE	
		EROSION AND SEDIMENT CONTROL DETAILS

SCALE: NONE
DATE: APRIL 16, 2007
DRAWN BY: A.C.S.
CHECKED BY: S.J.P.

CHRISTIAN-ROGE & ASSOCIATES, INC.
ENGINEERS-PLANNERS-SURVEYORS
211 WEST WACKER DRIVE
CHICAGO, ILLINOIS 60606
1-312-372-2023 FAX: 1-312-372-5274