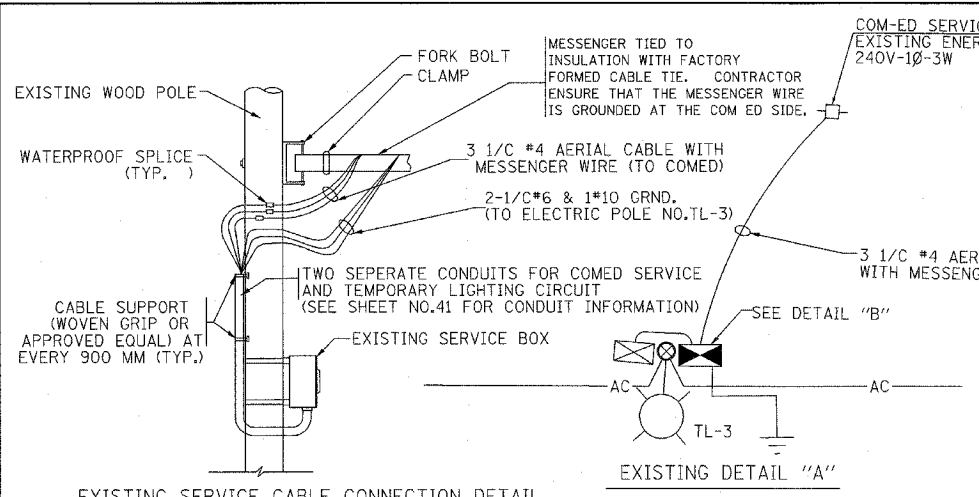
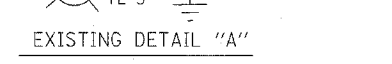


| F.A.P. RTE.         | SECTION       | COUNTY                    | TOTAL SHEETS | SHEET NO. |
|---------------------|---------------|---------------------------|--------------|-----------|
| 303                 | 131B (1&2) BR | McHENRY                   | 107          | 40        |
| STA.                |               | TO STA.                   |              |           |
| FED. ROAD DIST. NO. |               | ILLINOIS FED. AID PROJECT |              |           |

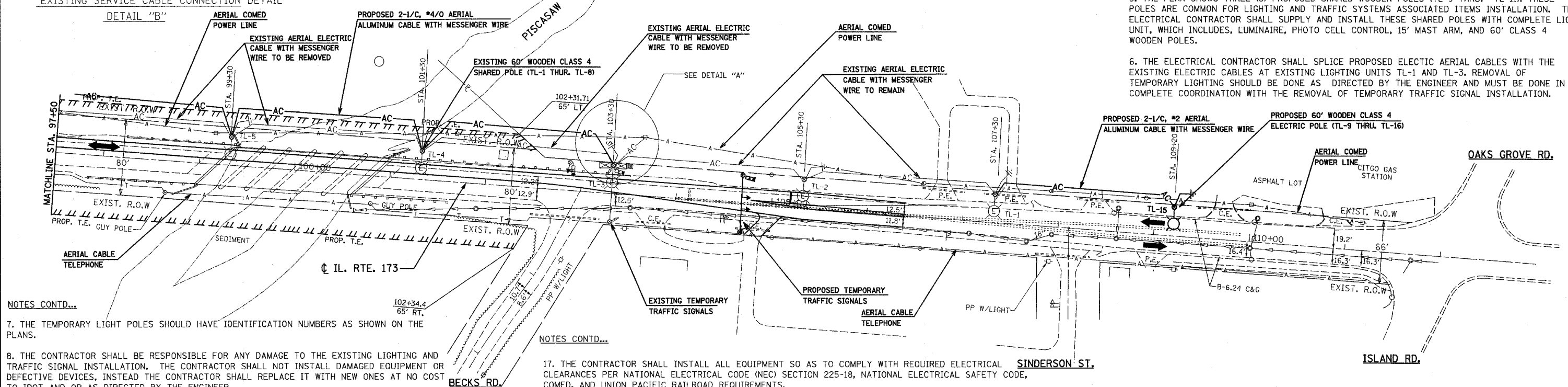
CONTRACT NO. 60B83



EXISTING SERVICE CABLE CONNECTION DETAIL  
DETAIL "B"



EXISTING DETAIL "A"



NOTES:

1. THE MATERIALS AND INSTALLATION METHODS SHALL COMPLY WITH THE LATEST CODES, STANDARDS AND ORDINANCES OF FEDERAL, STATE AND LOCAL GOVERNING BODIES HAVING JURISDICTION. ALL WORKS SHOWN ON THE PLANS AND DESCRIBED ELSEWHERE SHALL ALSO CONFORM TO THE LATEST NATIONAL ELECTRICAL CODE.
2. ALL ELECTRICAL EQUIPMENT, COMPONENTS AND DEVICES SHALL BE U/L LISTED.
3. ALL MATERIAL PARTS OF THE LIGHT POLES SHALL BE GROUNDED AND BONDED CONFORMING TO NEC ARTICLE 250.
4. THE LIGHT POLE SETBACK FROM THE EDGE OF TRAVEL PAVEMENT SHALL BE 18' UNLESS THE LIGHT POLE IS BEHIND GUARDRAIL. THE LIGHT POLES WHEN INSTALLED BEHIND THE GUARDRAIL SHOULD HAVE AT LEAST EIGHT FOOT SETBACK FROM THE BACK OF THE SHOULDER AND OR AS DIRECTED BY THE ENGINEER.
5. THE PLAN SHOWS THREE (3) PROPOSED SHARED WOODEN POLES (TL-9 THRU. TL-11). THESE POLES ARE COMMON FOR LIGHTING AND TRAFFIC SYSTEMS ASSOCIATED ITEMS INSTALLATION. THE ELECTRICAL CONTRACTOR SHALL SUPPLY AND INSTALL THESE SHARED POLES WITH COMPLETE LIGHT UNIT, WHICH INCLUDES, LUMINAIRE, PHOTO CELL CONTROL, 15' MAST ARM, AND 60' CLASS 4 WOODEN POLES.
6. THE ELECTRICAL CONTRACTOR SHALL SPLICE PROPOSED ELECTRIC AERIAL CABLES WITH THE EXISTING ELECTRIC CABLES AT EXISTING LIGHTING UNITS TL-1 AND TL-3. REMOVAL OF TEMPORARY LIGHTING SHOULD BE DONE AS DIRECTED BY THE ENGINEER AND MUST BE DONE IN COMPLETE COORDINATION WITH THE REMOVAL OF TEMPORARY TRAFFIC SIGNAL INSTALLATION.

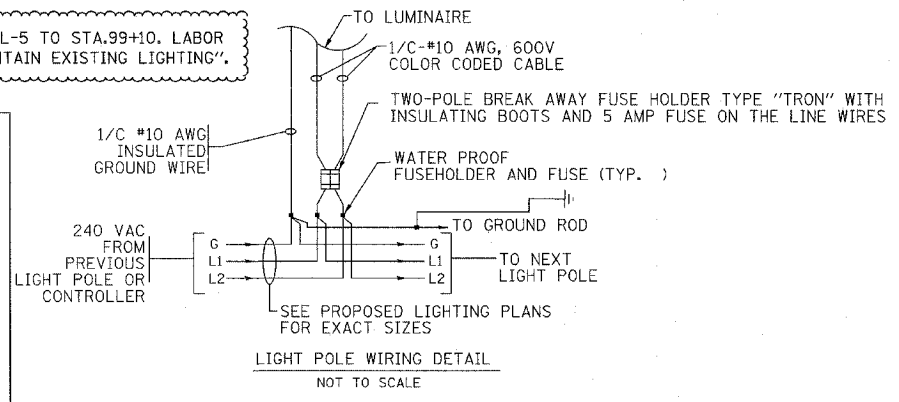
NOTES CONTD...

7. THE TEMPORARY LIGHT POLES SHOULD HAVE IDENTIFICATION NUMBERS AS SHOWN ON THE PLANS.
8. THE CONTRACTOR SHALL BE RESPONSIBLE FOR ANY DAMAGE TO THE EXISTING LIGHTING AND TRAFFIC SIGNAL INSTALLATION. THE CONTRACTOR SHALL NOT INSTALL DAMAGED EQUIPMENT OR DEFECTIVE DEVICES, INSTEAD THE CONTRACTOR SHALL REPLACE IT WITH NEW ONES AT NO COST TO IDOT, AND OR AS DIRECTED BY THE ENGINEER.
9. THE CONTRACTOR SHALL SPLICE MESSENGER CABLE AT THE LIGHT POLE USING HEAT SHRINKABLE CAPS WITH THE FACTORY APPLIED WATERPROOF SEALANT. THE INSTALLATION AND REQUIRED MATERIAL SHALL BE PART OF THE LIGHT POLE PAY ITEM.
10. IT IS THE CONTRACTOR'S RESPONSIBILITY TO CONTACT J. U. L. I. E. PRIOR TO THE START OF CONSTRUCTION AND COORDINATE LOCATION OF EXISTING UNDERGROUND UTILITIES. THE CONTRACTOR SHALL LOCATE, FLAG AND PROTECT ALL UNDERGROUND UTILITIES PRIOR TO AND DURING CONSTRUCTION. ANY DAMAGED TO EXISTING UTILITIES DURING CONSTRUCTION SHALL BE REPAIRED IMMEDIATELY AT NO COST TO IDOT.
11. THE MATERIAL QUANTITIES AS SHOWN IN THE ELECTRICAL SUMMARY OF QUANTITIES ARE APPROXIMATIONS ONLY. IT IS THE CONTRACTOR'S RESPONSIBILITY TO FIELD VERIFY ALL QUANTITIES PRIOR TO ORDERING MATERIALS.
12. THE CONTRACTOR SHALL FOLLOW THE CONSTRUCTION AND STAGING AS SHOWN ON THE PLANS OR AS DIRECTED BY THE ENGINEER. FURTHERMORE, THE CONTRACTOR SHALL COORDINATE ALL SUCH ACTIVITIES BEING DONE IN THE SAME AREA BY THE UTILITY COMPANIES OR OTHER CONTRACTORS AND SETUP COORDINATION MEETINGS IF NECESSARY WITHOUT ANY ADDITIONAL FINANCIAL COMPENSATION.
13. THE PROPOSED TEMPORARY LIGHTING SHALL BE COMPLETED, TESTED, OPERATIONAL, AND VERIFIED BY IDOT BEFORE COMMENCEMENT OF ANY STAGE I TRAFFIC.
14. ALL AREAS DISTURBED UNDER THIS CONTRACT SHALL BE RESTORED TO THE ORIGINAL CONDITION OR BETTER TO THE SATISFACTION OF THE ENGINEER.
15. ALL EXISTING CABLES FROM CONTROLLER TO THE WEST UP TO POLE NO. TL-8 (BETWEEN ALL POLES FROM TL-3 THRU. TL-8) SHALL BE REMOVED AND REPLACED WITH PROPOSED " AERIAL CABLE 2-1/2, #4/0 ALUMINUM WITH MESSENGER WIRE".
16. LIGHTING SHALL BE KEPT OPERATIONAL AND ACTIVE FROM ONE HOUR BEFORE SUNSET TO ONE HOUR AFTER SUNRISE.

NOTES CONTD...

17. THE CONTRACTOR SHALL INSTALL ALL EQUIPMENT SO AS TO COMPLY WITH REQUIRED ELECTRICAL CLEARANCES PER NATIONAL ELECTRICAL CODE (NEC) SECTION 225-18, NATIONAL ELECTRICAL SAFETY CODE, COMED, AND UNION PACIFIC RAILROAD REQUIREMENTS.
18. DURING STAGE II CONSTRUCTION THE CONTRACTOR SHALL RELOCATE POLE NO. TL-5 TO STA. 99+10. LABOR AND MATERIAL FOR THIS WORK SHALL BE INCLUDED IN THE UNIT PRICE FOR "MAINTAIN EXISTING LIGHTING".

| LEGENDS  | DESCRIPTION |
|----------|-------------|
| EXISTING | PROPOSED    |
|          |             |
|          |             |
|          |             |
|          |             |
|          |             |
|          |             |
|          |             |
|          |             |
|          |             |



| REVISIONS  |          |
|------------|----------|
| NAME       | DATE     |
| ADDENDUM 1 | 05-01-07 |
|            |          |
|            |          |
|            |          |

ILLINOIS DEPARTMENT OF TRANSPORTATION  
**TEMPORARY LIGHTING PLAN**  
 IL. RTE. 173  
 SCALE: 1" = 50'  
 DATE: APRIL 25, 2007  
 DRAWN BY: M.A.  
 CHECKED BY: B.M.A./S.J.P.

**CR**  
**CHRISTIAN-ROGE & ASSOCIATES, INC.**  
 ENGINEERS-PLANNERS-SURVEYORS  
 211 WEST WACKER DRIVE  
 CHICAGO, ILLINOIS 60606  
 1-312-372-2023 FAX: 1-312-372-5274