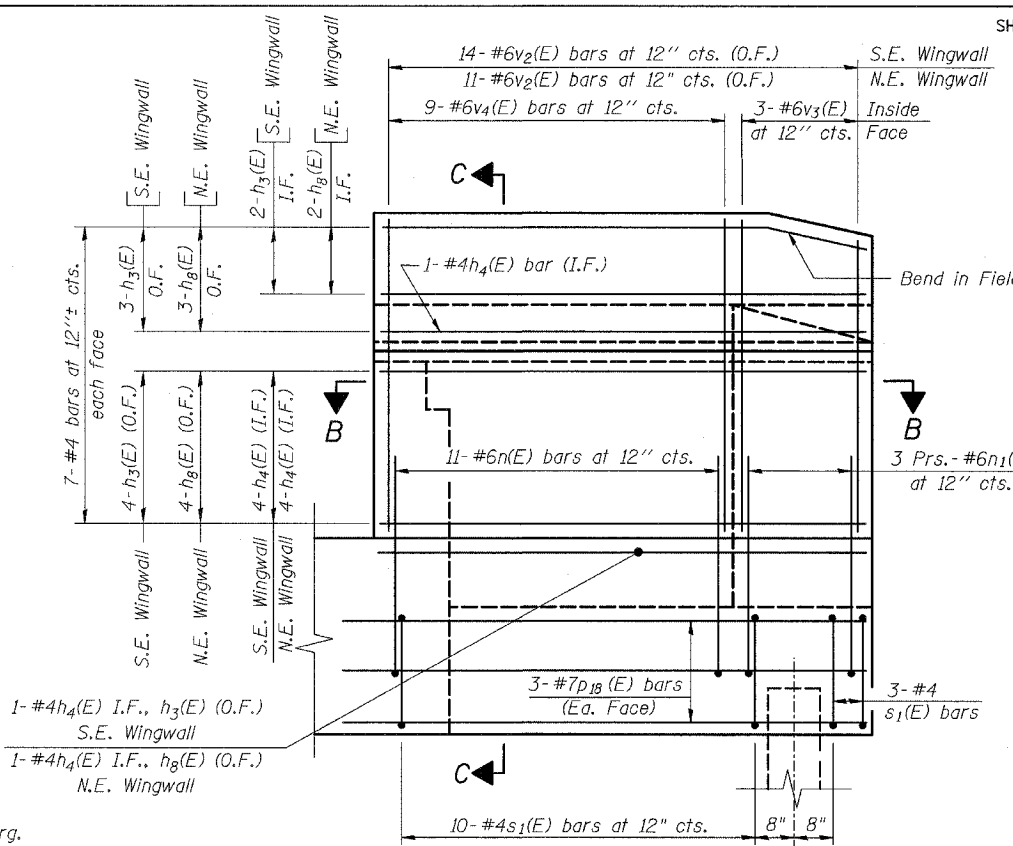
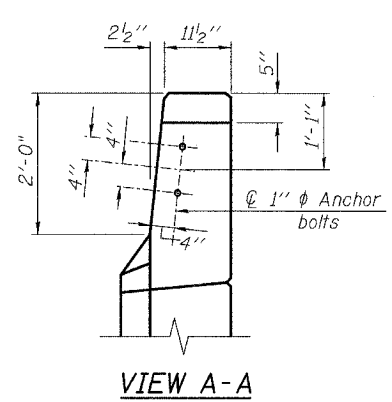
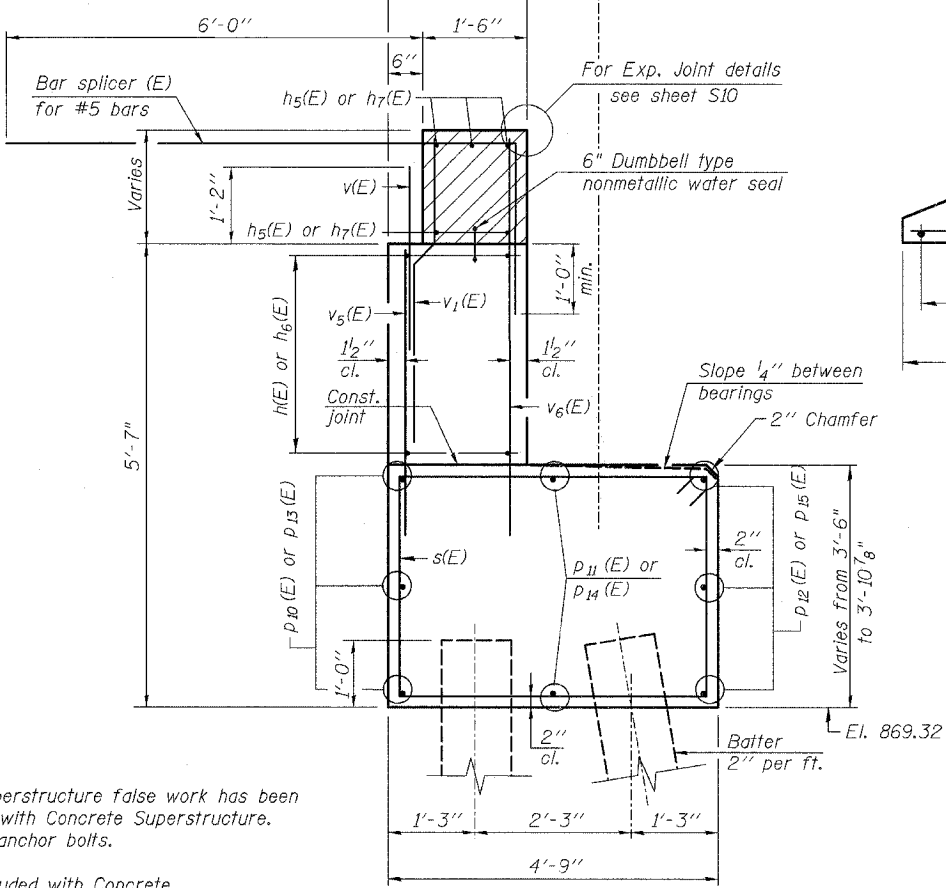
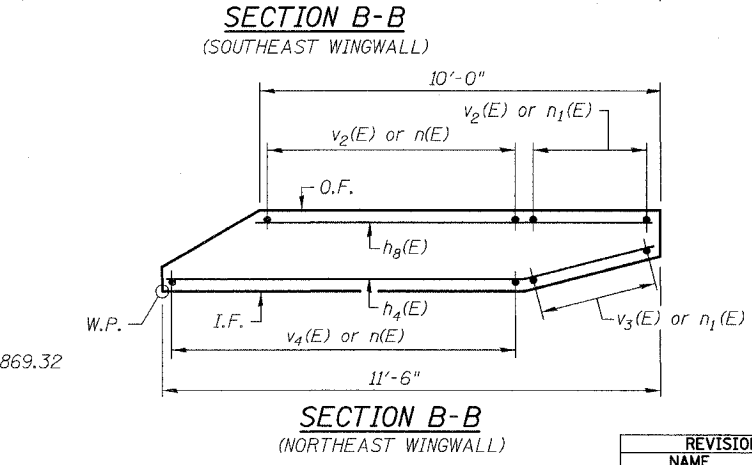
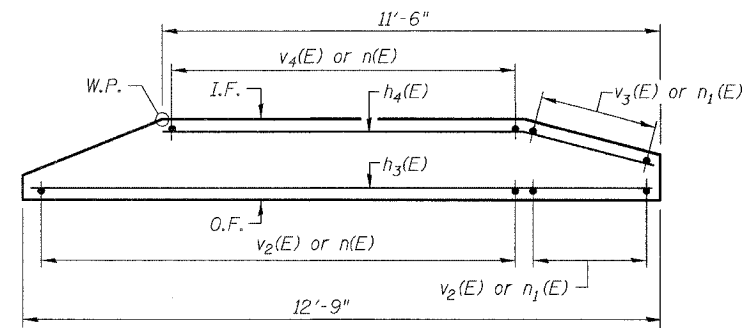
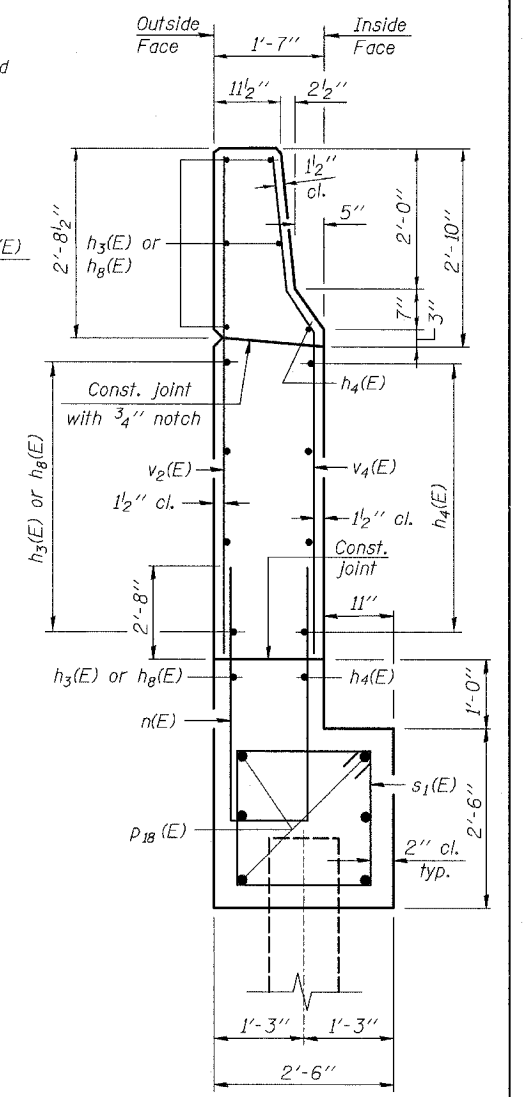


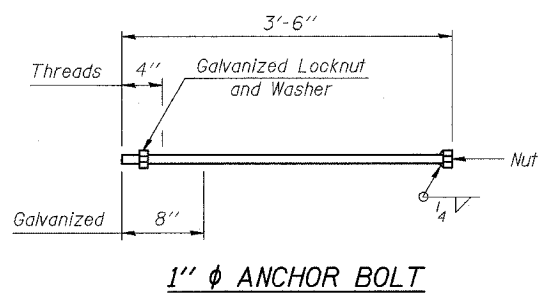
WING WALL ELEVATION
Showing Dimensions



WING WALL ELEVATION
Showing Reinforcement



SECTION D-D



Notes:

- Hatched area to be poured after superstructure false work has been removed. Quantity of concrete included with Concrete Superstructure.
- Space reinforcement in cap to miss anchor bolts.
- Pour steps monolithically with cap.
- Quantity of concrete in end post included with Concrete Superstructure on sheet S08.
- The Steel H-Piles shall be in accordance with AASHTO M 270, Grade 50.

REVISIONS	
NAME	DATE

ILLINOIS DEPARTMENT OF TRANSPORTATION

EAST ABUTMENT DETAILS
IL. RTE. 173
OVER
PISCASAW CREEK
F.A.P. RTE. 303 SECTION: 131B(1&2)BR
McHENRY COUNTY STATION 100+00.00
STRUCTURE NO. 056-0090

SCALE: DATE: APRIL 2, 2007 DRAWN BY: D.L./F.M. CHECKED BY: B.N.S./J.C.N.

CHRISTIAN-ROGE & ASSOC., INC.
CHICAGO ILLINOIS