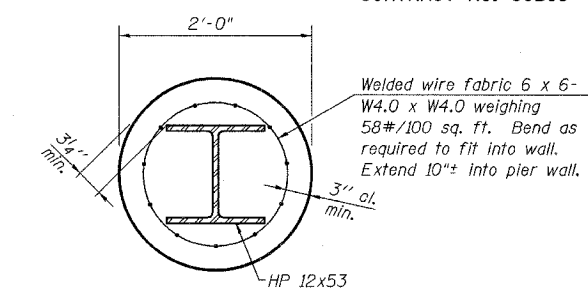
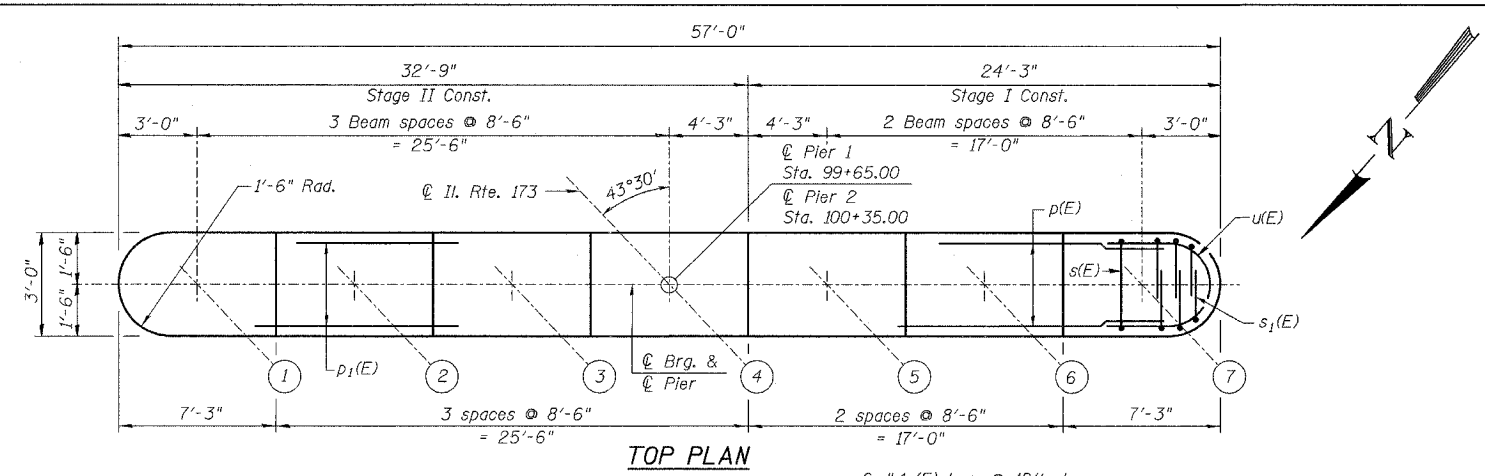


CONTRACT NO. 60B83

Notes:
 Space reinforcement in cap to miss anchor bolts.
 Pour steps monolithically with cap.
 The steel H - piles shall be according to AASHTO M270 Grade 50

PILE DATA
 (For One Pier)

Type: HP 12x53
 Nominal Required Bearing: 419 kips
 Factored Resistance Available: 139.6 kips
 Est. Length: 60 feet
 No. Production Piles: 8
 No. Test Piles: 1

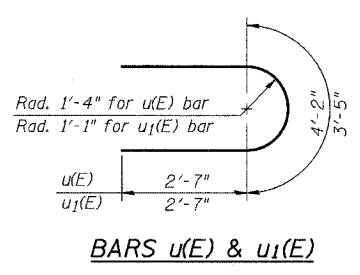
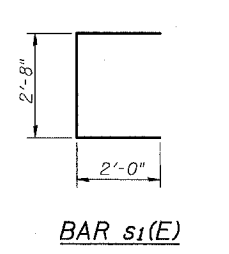
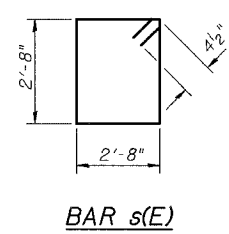


Note:
 Forms for encasement may be omitted when soil conditions permit.

SECTION B-B
PILE ENCASEMENT DETAIL

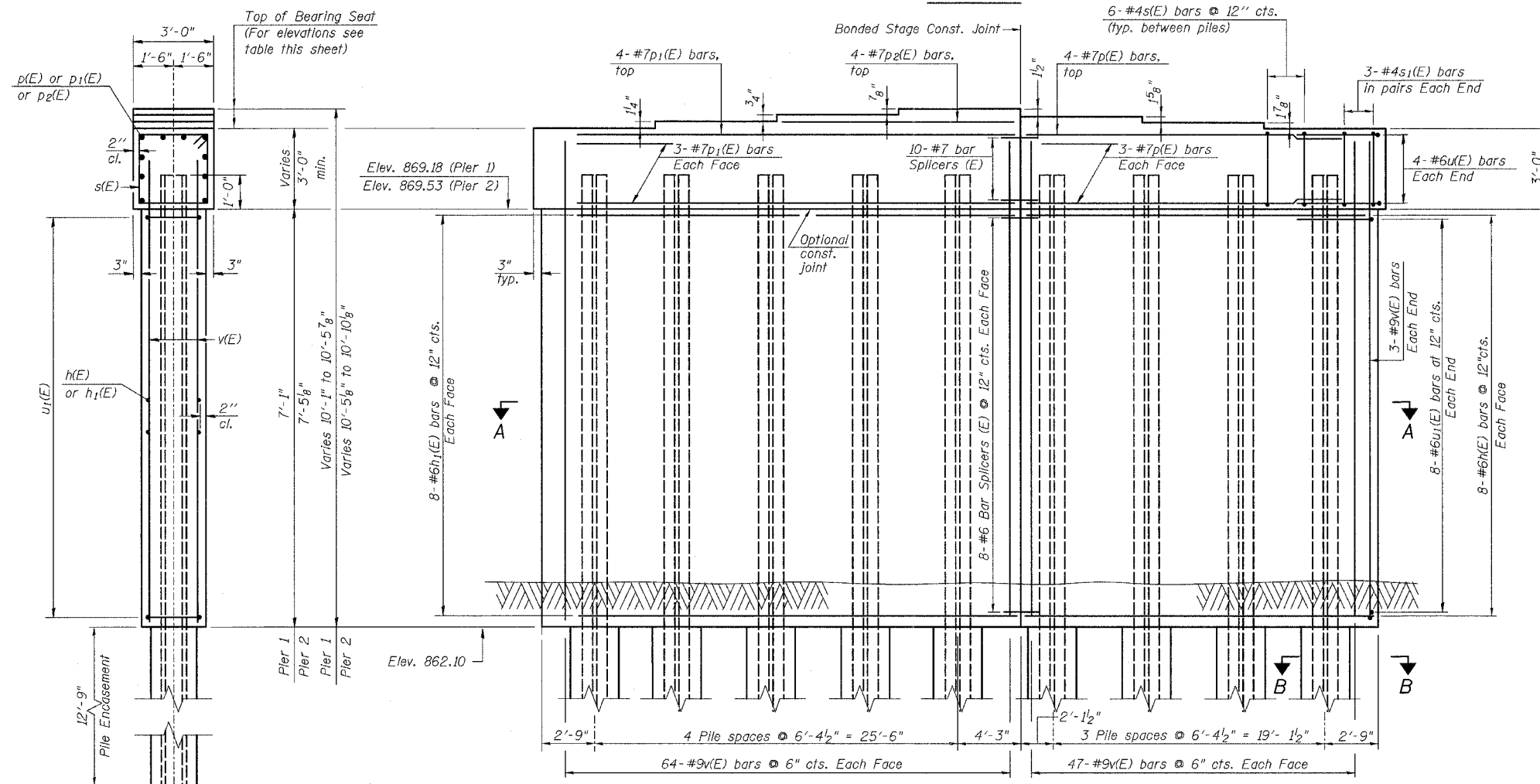
REINFORCEMENT BAR SCHEDULE
 (For One Pier)

Bar	No.	Size	Length	Shape
h (E)	16	#6	22'-7"	—
h1(E)	16	#6	31'-1"	—
p (E)	10	#7	22'-7"	—
p1(E)	10	#7	31'-1"	—
p2(E)	4	#5	16'-8"	—
s (E)	48	#4	11'-5"	□
s1(E)	12	#4	6'-8"	□
u (E)	8	#6	9'-4"	U
u1(E)	16	#6	8'-7"	U
v (E)	228	#9	9'-6"	—



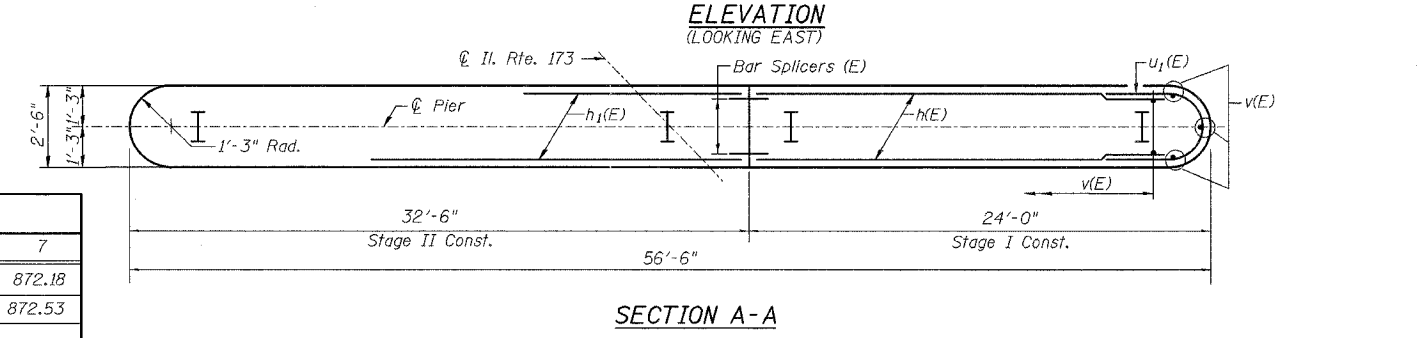
BILL OF MATERIAL

Item	Unit	Total	
		Pier 1	Pier 2
Structure Excavation	Cu. Yd.	14.6	14.6
Concrete Structures	Cu. Yd.	56.9	58.7
Reinforcement Bars, Epoxy Coated	Pound	10,560	10,560
Furnishing Piles, HP 12x53	Foot	480	480
Driving Piles	Foot	480	480
Test Pile, HP 12x53	Each	1	1
Bar Splicers	Each	26	26
Pile Shoes	Each	9	9
Concrete Encasement	Cu. Yd.	13.4	13.4



TOP OF BEARING SEAT ELEVATIONS

Beam Numbers	1	2	3	4	5	6	7
Pier 1	872.35	872.45	872.52	872.59	872.46	872.34	872.18
Pier 2	872.70	872.80	872.87	872.94	872.81	872.69	872.53



REVISIONS

NAME	DATE

ILLINOIS DEPARTMENT OF TRANSPORTATION

PIER 1 & 2
 IL. RTE. 173
 OVER
 PISCASAW CREEK
 F.A.P. RTE. 303 SECTION: 131B(1&2)BR
 McHENRY COUNTY STATION 100+00.00
 STRUCTURE NO. 056-0090

SCALE: DATE: APRIL 2, 2007

DRAWN BY: D.L./F.M.
 CHECKED BY: B.N.S./J.C.N.

CHRISTIAN-ROGE & ASSOC., INC.
 CHICAGO ILLINOIS