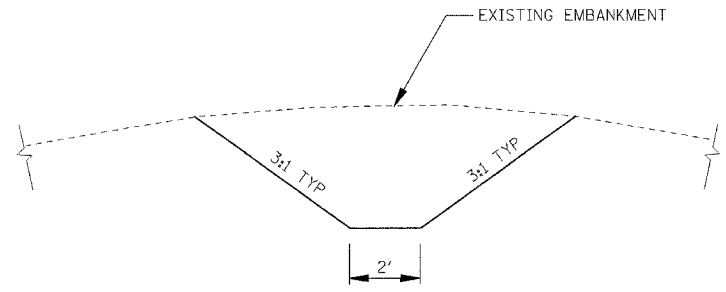
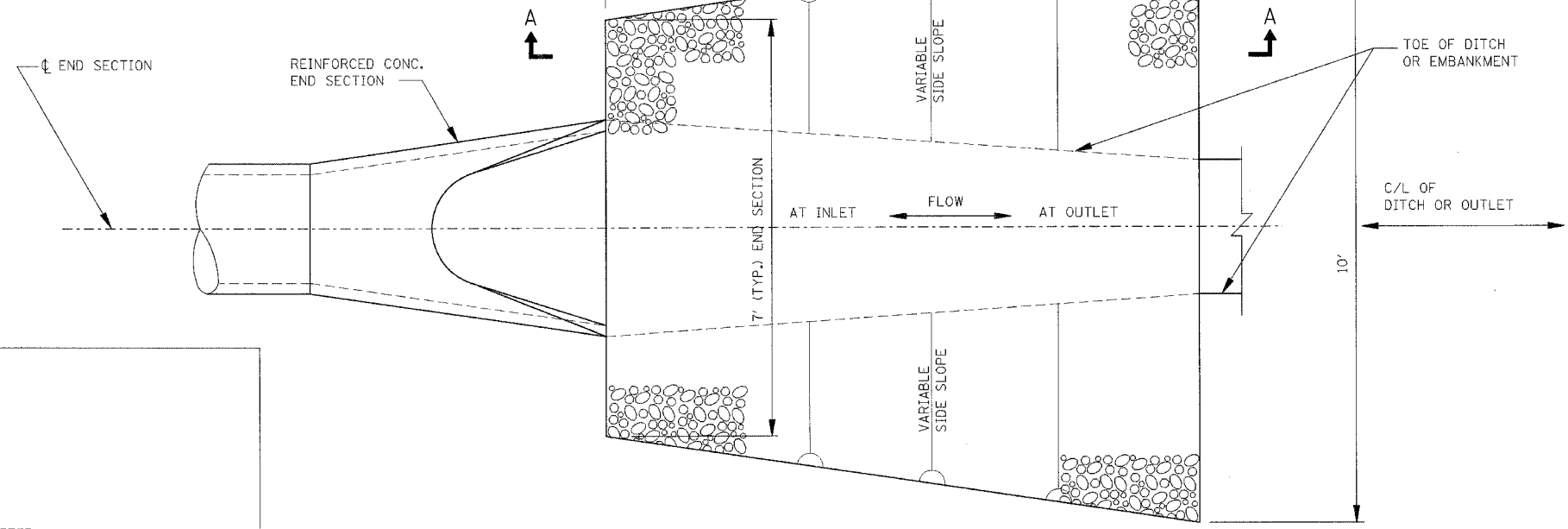


F.A.I. RTE.	SECTION	COUNTY	TOTAL SHEETS	SHEET NO.
59	•	WILL	102	57
STA.		TO STA.		
FED. ROAD DIST. NO. 1		ILLINOIS	FED. AID PROJECT	
• 99(1&2)AC-R-2		CONTRACT NO. 60897		

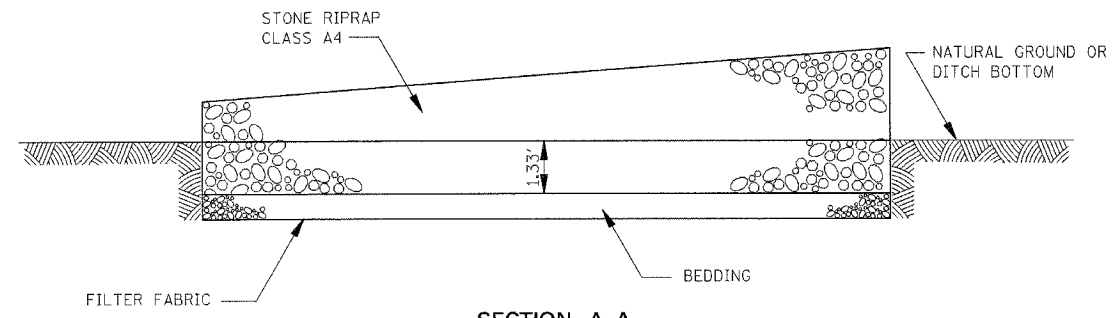


**TYPICAL SECTION FOR CHANNEL EXCAVATION**  
N.T.S.

**NOTE:**  
1. PAID FOR AT THE CONTRACT UNIT PRICE PER CUBIC YD FOR "CHANNEL EXCAVATION"



**PLAN**



**SECTION A-A**

**RIPRAP APRON**  
N.T.S.

- NOTE:**
1. TO BE USED AT ALL AREAS SHOWN ON PLANS CALLED OUT AS "RIPRAP APRON".
  2. PAID FOR AT THE CONTRACT UNIT PRICE PER SQUARE YARD FOR "STONE RIPRAP, CLASS A4". FILTER FABRIC IS PAID FOR AT THE CONTRACT UNIT PRICE PER SQUARE YARD (SY) FOR "FILTER FABRIC FOR USE WITH RIPRAP".
  3. APRON WIDTH SHALL BE ADJUSTED TO MATCH CULVERT END SECTION WIDTH SEE SHEET 58 FOR OUTLET PROTECTION AT BOX CULVERTS.

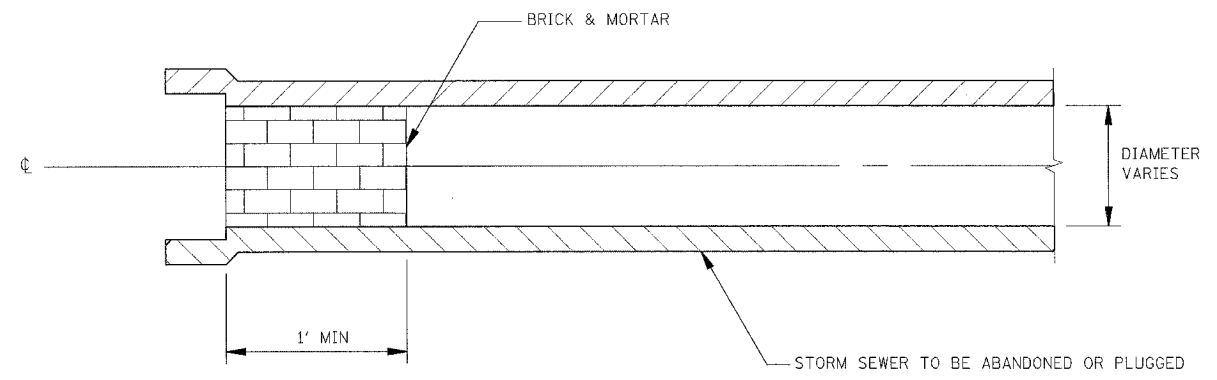
REVISIONS	
NAME	DATE

ILLINOIS DEPARTMENT OF TRANSPORTATION  
FAI 55 WEST FRONTAGE ROAD AT IL 59  
SECTION: 99(1&2)AC-R-2

**DRAINAGE DETAILS I**

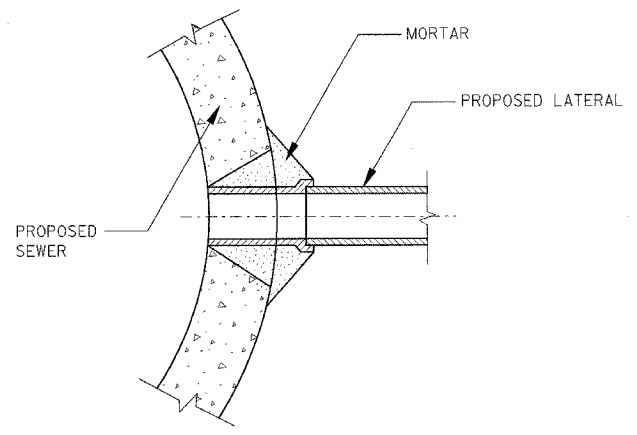
SCALE: N.T.S.      DRAWN BY: JFS  
DATE: 03/22/2007      CHECKED BY: ACL

**TENG**  
TENG & ASSOCIATES, INC.  
ENGINEERS/ARCHITECTS/PLANNERS  
300 N. MICHIGAN AVE. CHICAGO, IL 60601  
TELEPHONE: 312.642.4000



**STORM SEWER PLUG**

**NOTE:**  
1. THIS WORK SHALL BE CONSIDERED AS INCLUDED IN THE CONTRACT UNIT PRICE BID FOR THE STORM SEWER ITEMS.



**PIPE CONNECTION**  
PROPOSED LATERAL CONNECTION TO PROPOSED SEWER OF 30 IN. OR LARGER

**BASIS OF PAYMENT**

PIPE CONNECTIONS OF ALL SIZES TO THE MAIN LINE SEWER SHALL NOT BE PAID FOR SEPARATELY BUT SHALL BE INCLUDED IN THE CONTRACT UNIT PRICE PER FOOT FOR STORM SEWERS OF THE TYPE AND SIZE SPECIFIED IN THE PLANS. THIS PRICE SHALL INCLUDE ALL EXCAVATION OF THE TRENCH AND FURNISHING ALL OTHER MATERIAL NECESSARY TO COMPLETE THIS WORK AS SHOWN AND SPECIFIED

TRENCH BACKFILL, EXCAVATION IN ROCK AND REMOVAL AND REPLACEMENT OF UNSUITABLE MATERIAL BELOW PLAN BEDDING GRADE WILL BE PAID FOR SEPARATELY.

T:\DOCUMENT\9927\90\CIVIL\DN.UR\0002\K.DDN  
 3-2-2007 1:50:53  
 2 3 4 5 6 7 8 9 10 11 12 13 14 15 16 17 18 19 20 21 22 23 24 25 26 27 28 29 30 31 32 33 34 35 36 37 38 39 40 41 42 43 44 45 46 47 48 49 50 51 52 53 54 55 56 57 58 59 60 61 62