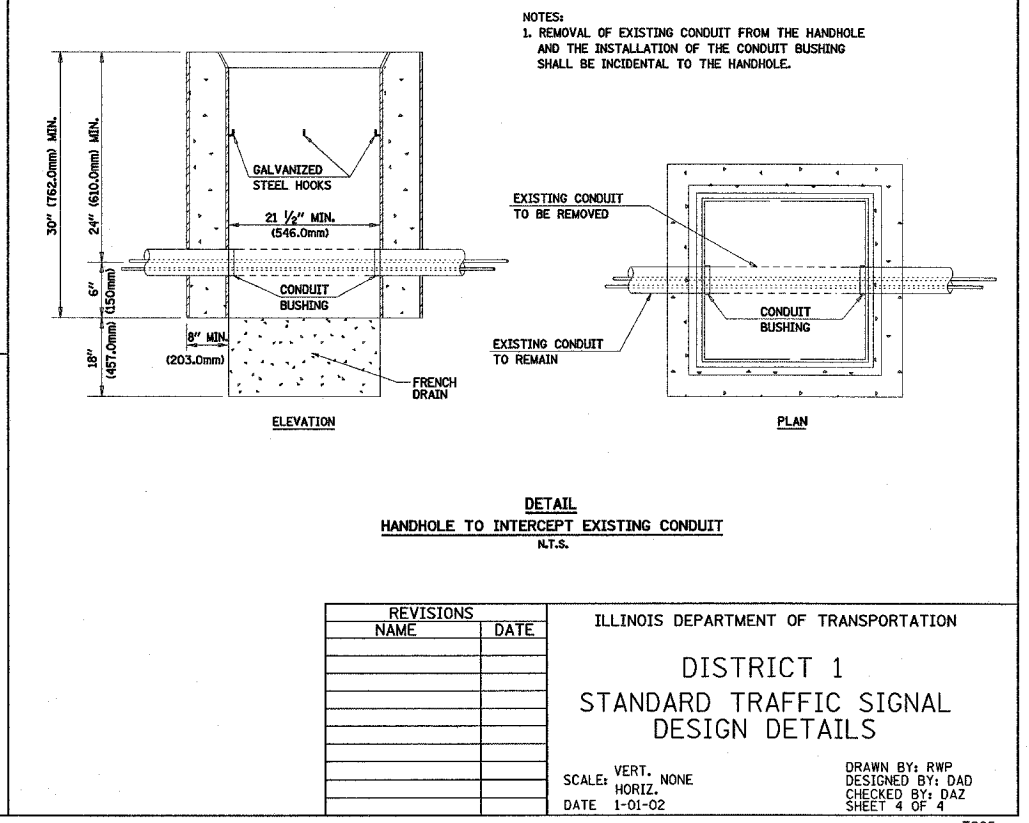
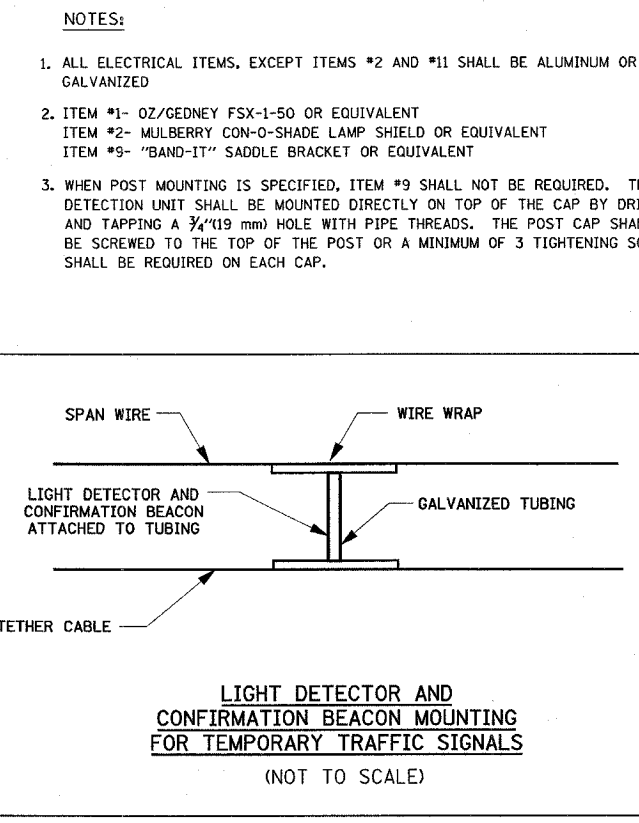
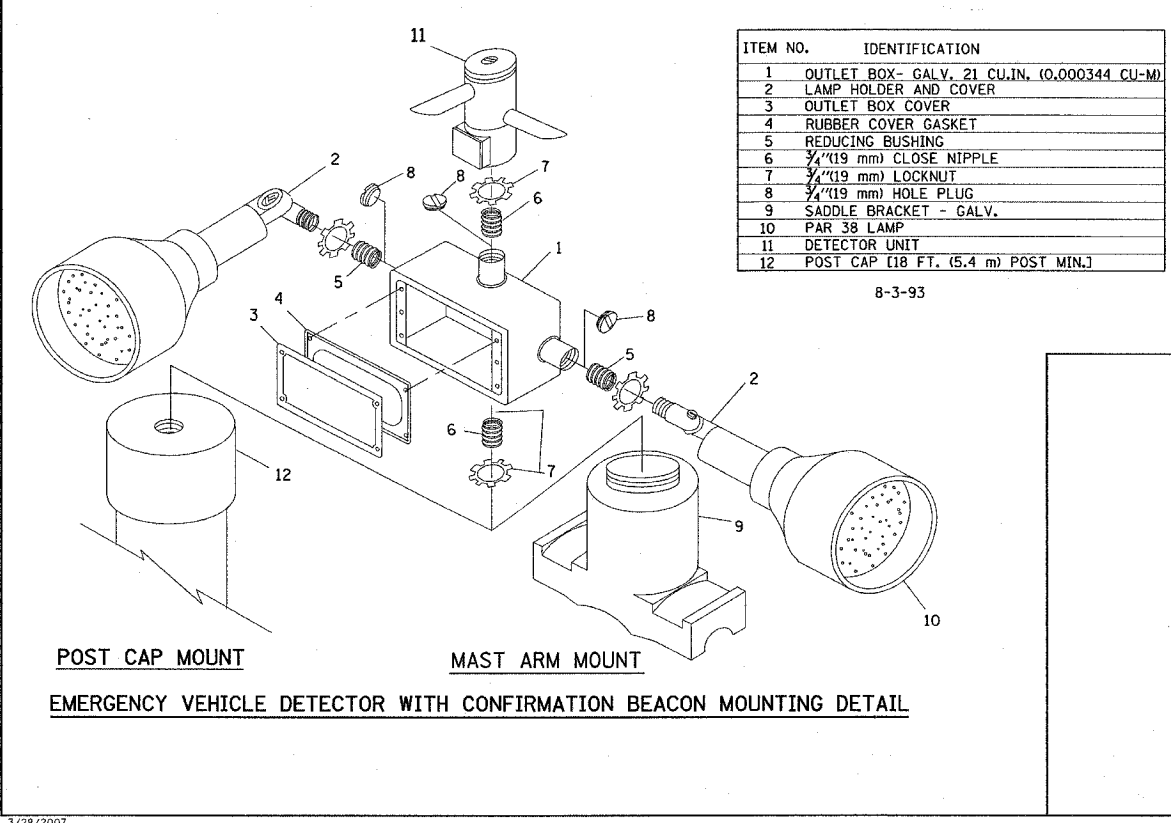
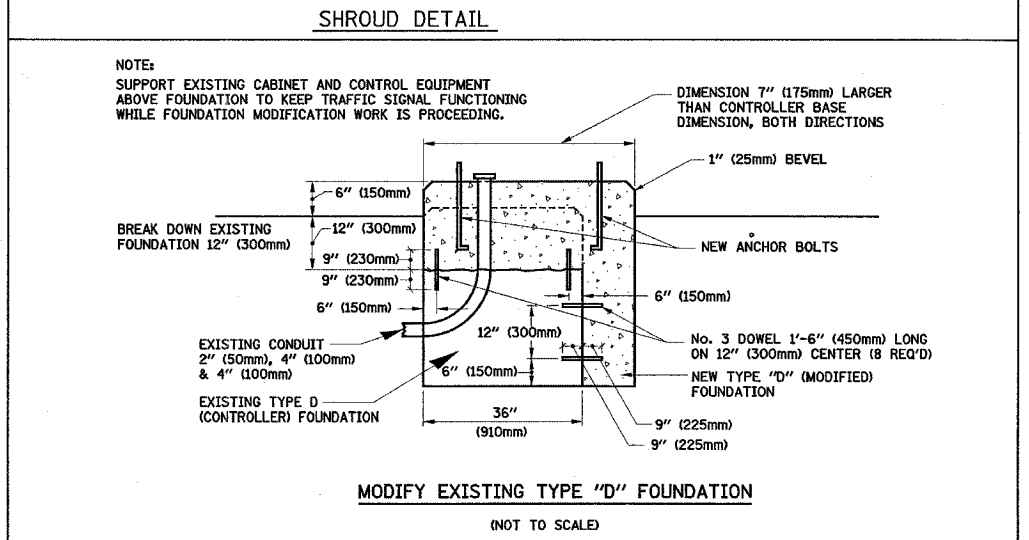
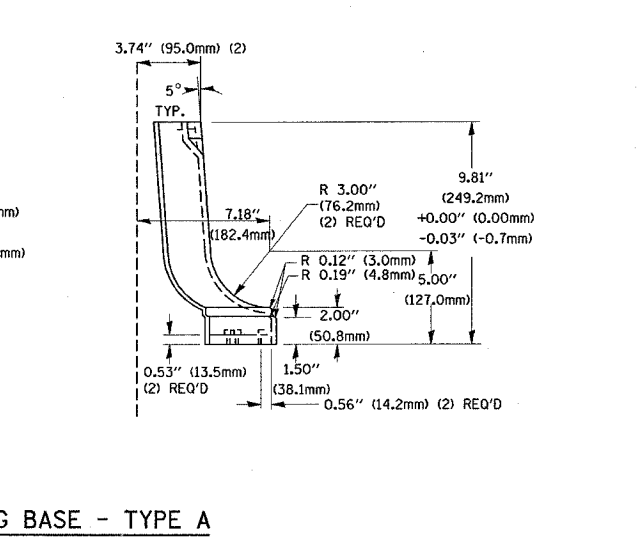
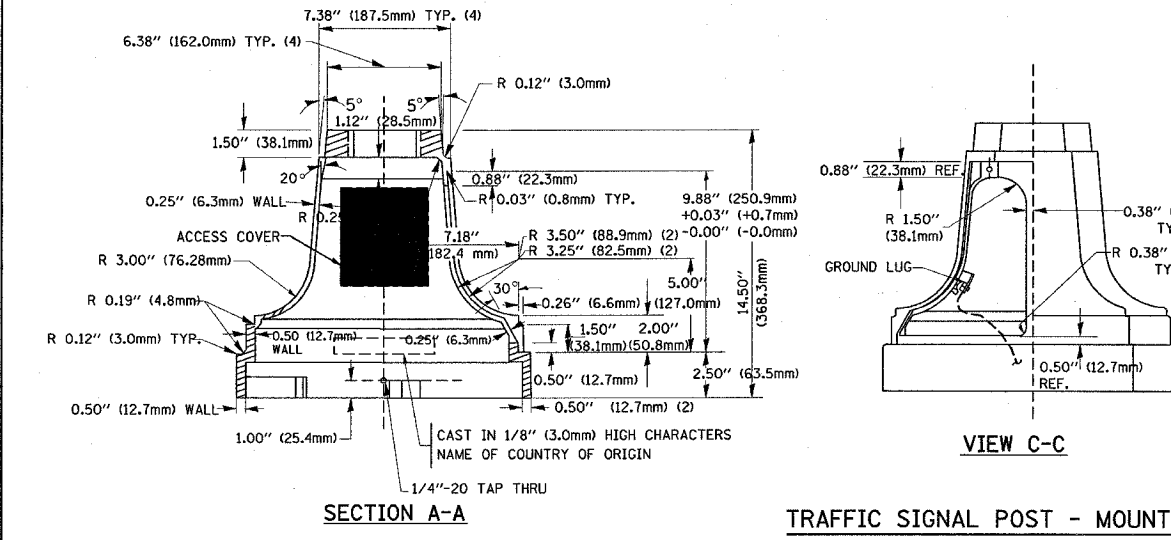
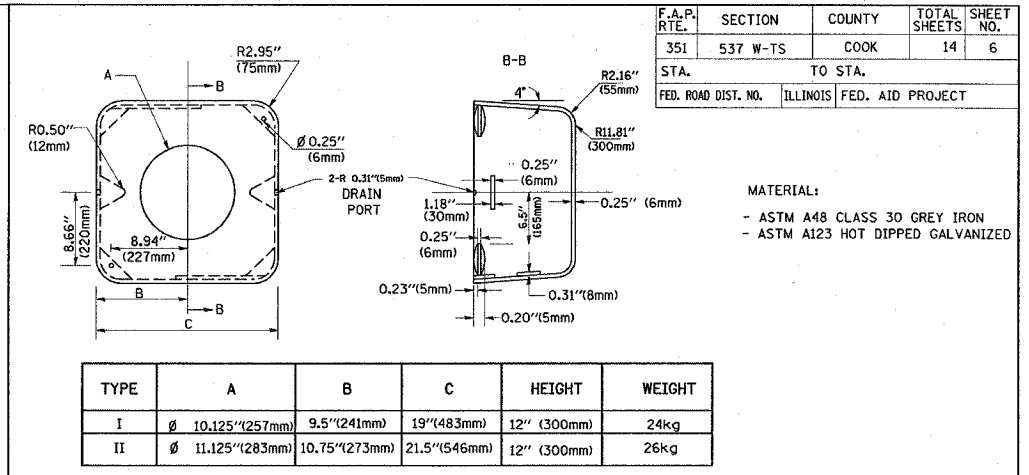
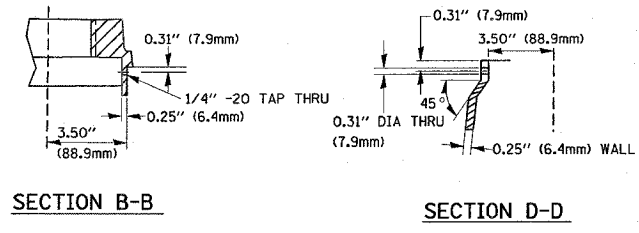
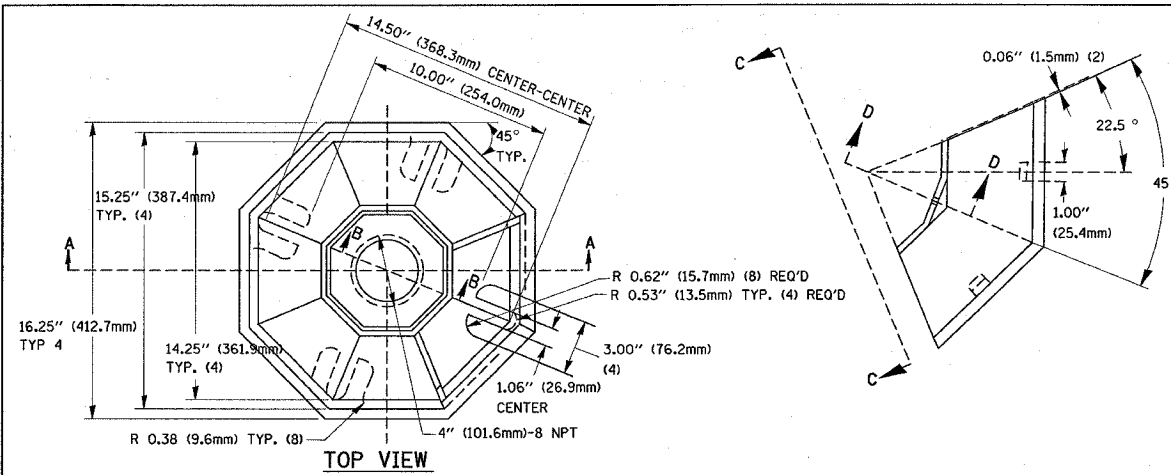


F.A.P. RTE.	SECTION	COUNTY	TOTAL SHEETS	SHEET NO.
351	537 W-TS	COOK	14	6
STA.	TO STA.			
FED. ROAD DIST. NO.	ILLINOIS	FED. AID PROJECT		



REVISIONS		ILLINOIS DEPARTMENT OF TRANSPORTATION	
NAME	DATE		
		DISTRICT 1	
		STANDARD TRAFFIC SIGNAL	
		DESIGN DETAILS	
		SCALE: VERT. NONE	DRAWN BY: RWP
		HORIZ. NONE	DESIGNED BY: DAD
		DATE 1-01-02	CHECKED BY: DAZ
			SHEET 4 OF 4

14:22:22 03/28/2007

3/28/2007
c:\projects\traffic\1070001\busfidelands.dgn