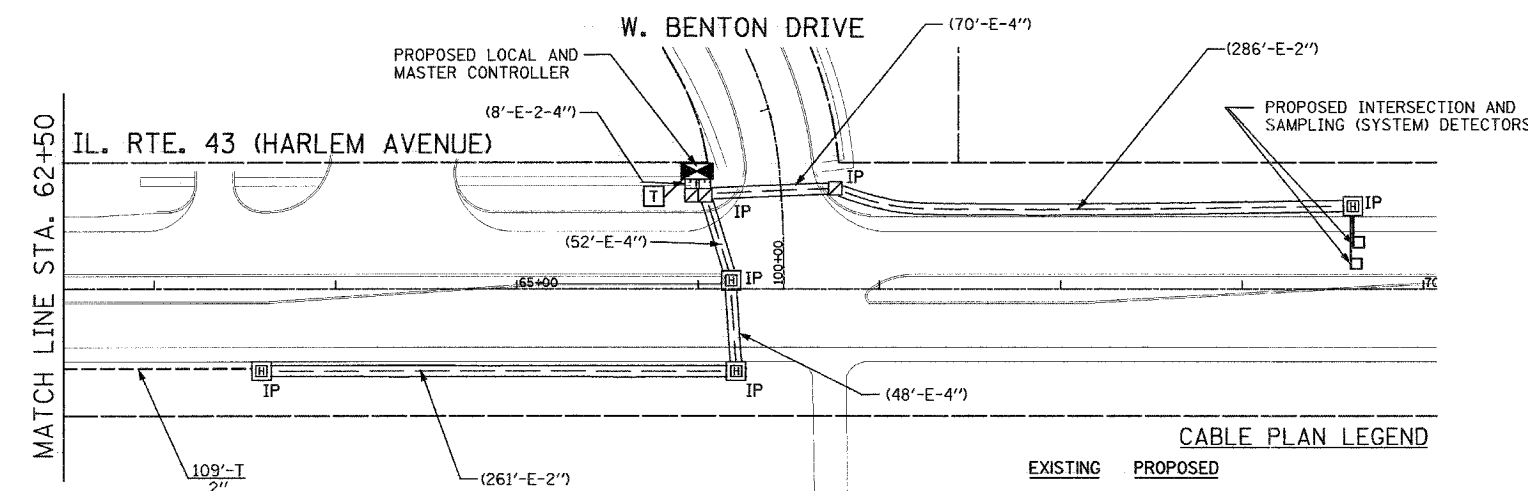
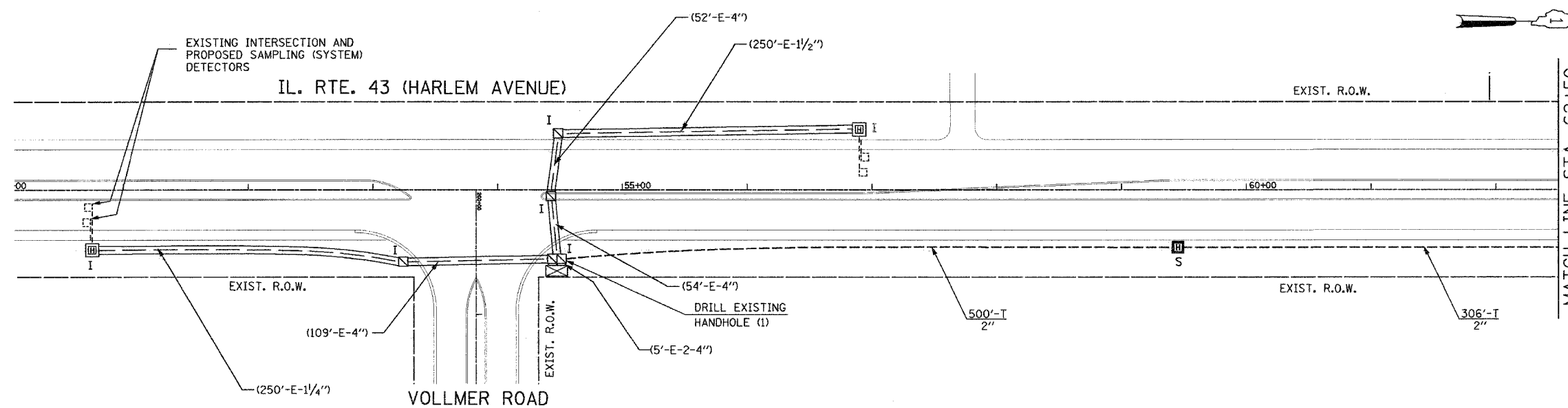


F.A.P. RTE.	SECTION	COUNTY	TOTAL SHEETS	SHEET NO.
348	2006-045TS	WILL	12	9
STA.	TO STA.			
FED. ROAD DIST. NO.	ILLINOIS	FED. AID PROJECT		

CONTRACT # 60C16

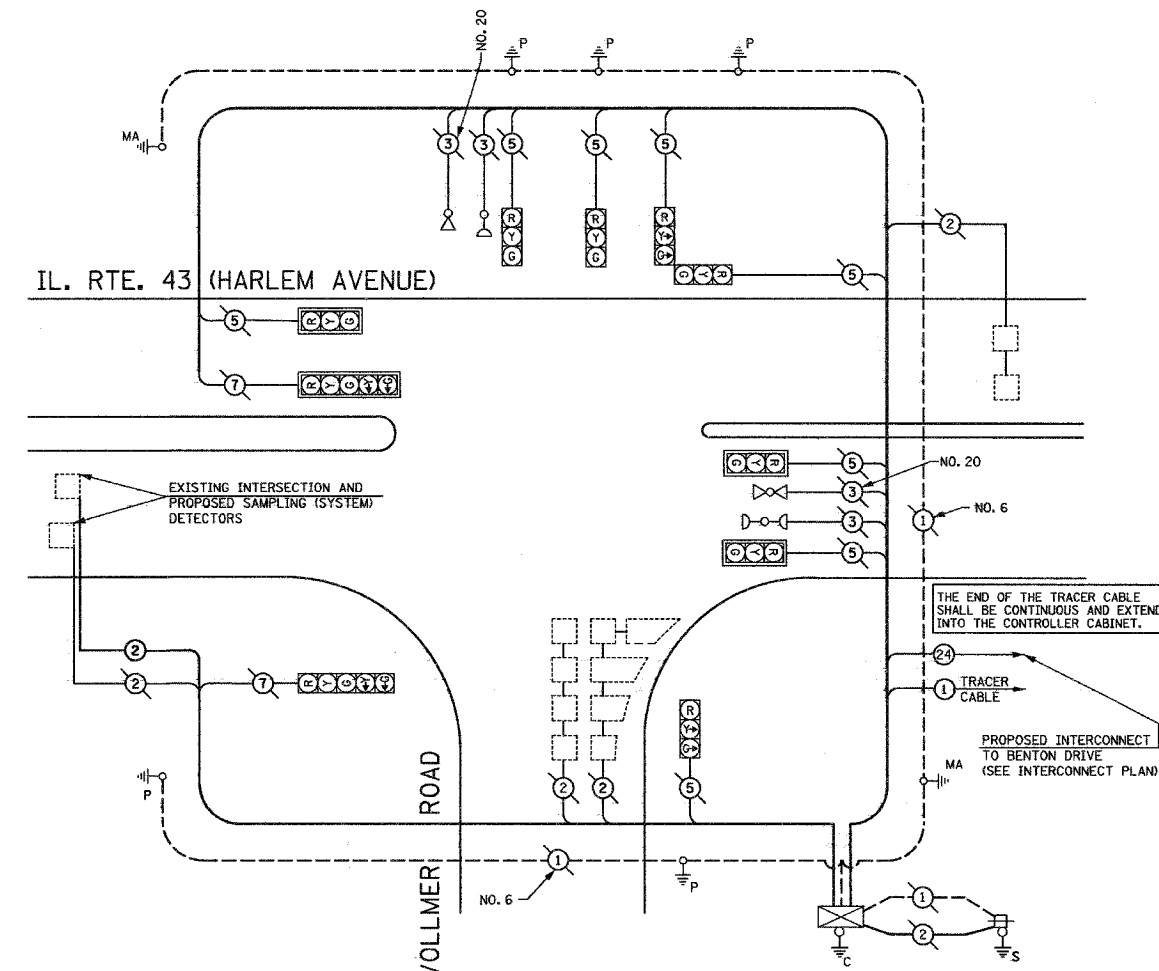


INTERCONNECT PLAN LEGEND

	PROPOSED	EXISTING
CONTROLLER		
HANDHOLE		
DOUBLE HANDHOLE		
HEAVY DUTY HANDHOLE		
GALVANIZED STEEL CONDUIT IN TRENCH OR PUSHED		
DETECTOR LOOP		
COMMON TRENCH	CT	
UNIT DUCT	UD	
SYSTEM	S	
INTERSECTION	IP	I
TELEPHONE CONNECTION	T	T

CABLE PLAN LEGEND

EXISTING	PROPOSED	
		12" (300mm) TRAFFIC SIGNAL SECTION
		CONTROLLER CABINET
		SERVICE INSTALLATION
		VEHICLE DETECTOR, INDUCTION LOOP
		EMERGENCY VEHICLE LIGHT DETECTOR
		CONFIRMATION BEACON
		DENOTES NUMBER OF CONDUCTORS, ALL CABLE NO. 14 EXCEPT AS INDICATED. ALL LOOP DETECTOR CABLE TO BE SHIELDED.
		GROUND CABLE IN CONDUIT NO. 6 SOLID COPPER (GREEN)
		FIBER OPTIC CABLE IN CONDUIT NO. 62.5/125 2-MM12F & SM12F
		SIGNAL FACE WITH BACKPLATE. *P* INDICATES PROGRAMMED HEAD.
		GROUND ROD AT POST OR MAST ARM POLE
		GROUND ROD AT ELECTRIC SERVICE INSTALLATION



CABLE PLAN
IL. RTE. 43 (HARLEM AVE.) AT VOLLMER RD.
N.T.S.

THE TRAFFIC SIGNAL CONTROL EQUIPMENT FOR THIS PROJECT SHALL BE "EAGLE" TO MATCH THE EXISTING ADJACENT SYSTEM.

REVISIONS	
NAME	DATE

ILLINOIS DEPARTMENT OF TRANSPORTATION
PROPOSED INTERCONNECT PLAN
ILLINOIS ROUTE 43 (HARLEM AVENUE) FROM
VOLLMER ROAD TO W. BENTON DRIVE
EXISTING CABLE PLAN
ILL. RTE. 43 AT VOLLMER RD.
SCALE: 1"=50'
DATE: 03/08/2007
DRAWN BY: KGP
DESIGNED BY: PKG
CHECKED BY: PKG

GO GANDHI AND ASSOCIATES, INC.
ENGINEERS AND PLANNERS
6036 N. NORTHWEST HIGHWAY
SUITE 305
CHICAGO, ILLINOIS 60631 TEL. (773) 774-5910