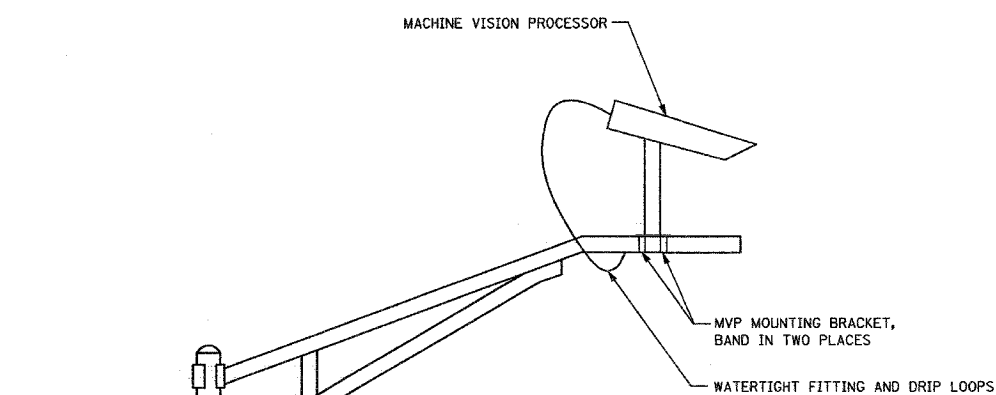


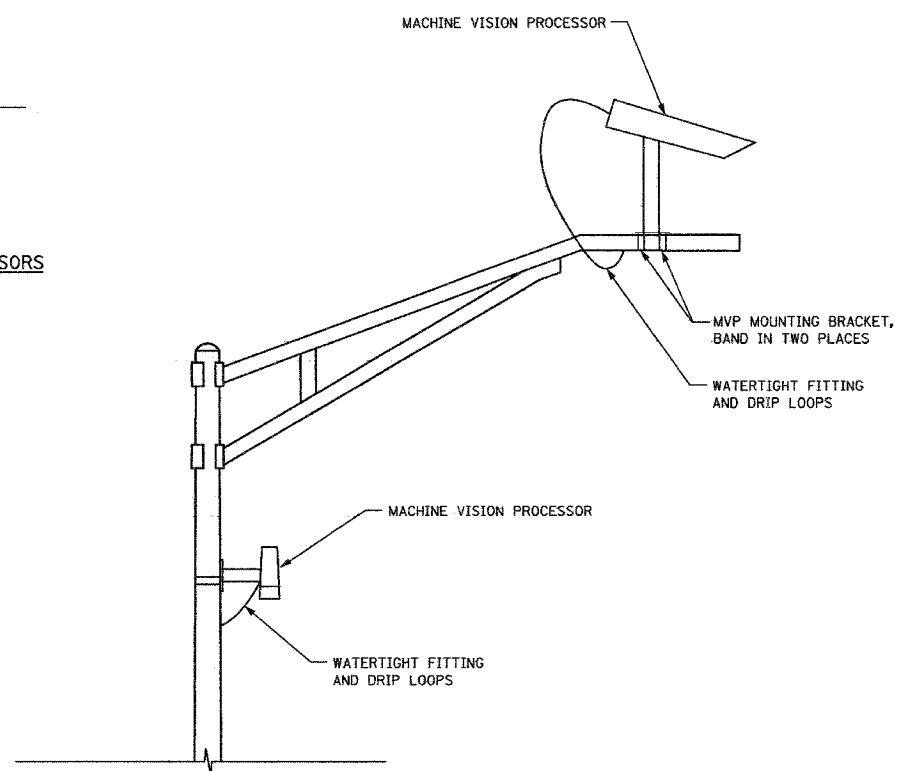
F.A.P. RTE.	SECTION	COUNTY	TOTAL SHEETS	SHEET NO
348	2006-045TS	WILL	12	12
STA.		TO STA.		
FED. ROAD DIST. NO.	ILLINOIS	FED. AID PROJECT:		

CONTRACT # 60C16

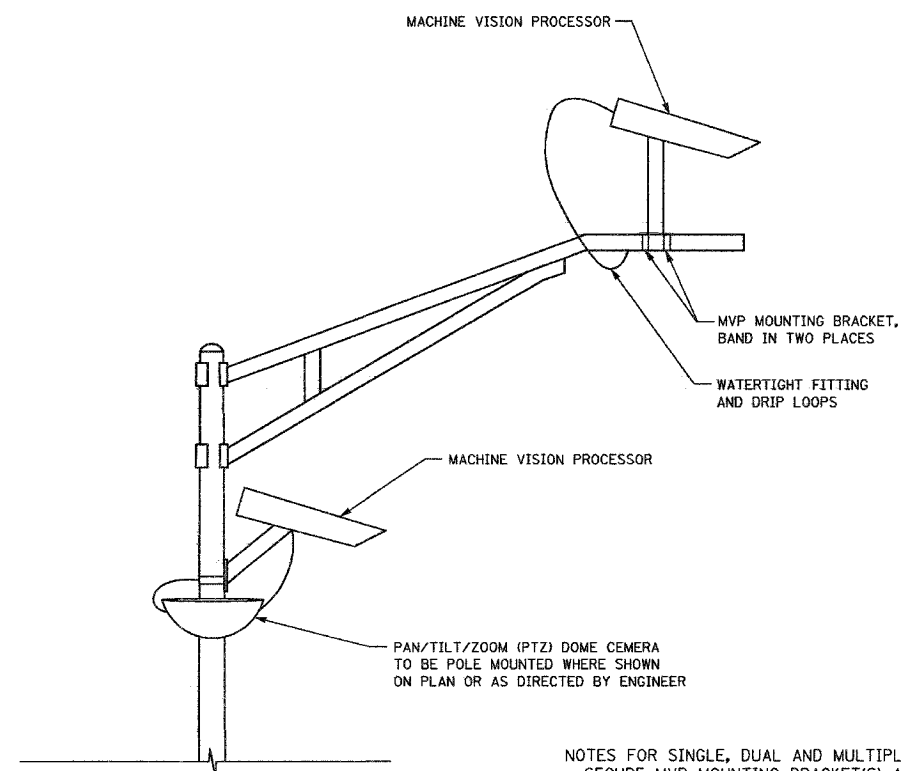


TYPICAL SINGLE MACHINE VISION PROCESSORS MOUNTING DETAILS

WARNING:  
AIMING THE MACHINE VISION PROCESSOR AT DIRECT SUNLIGHT WILL CAUSE PERMANENT DAMAGE

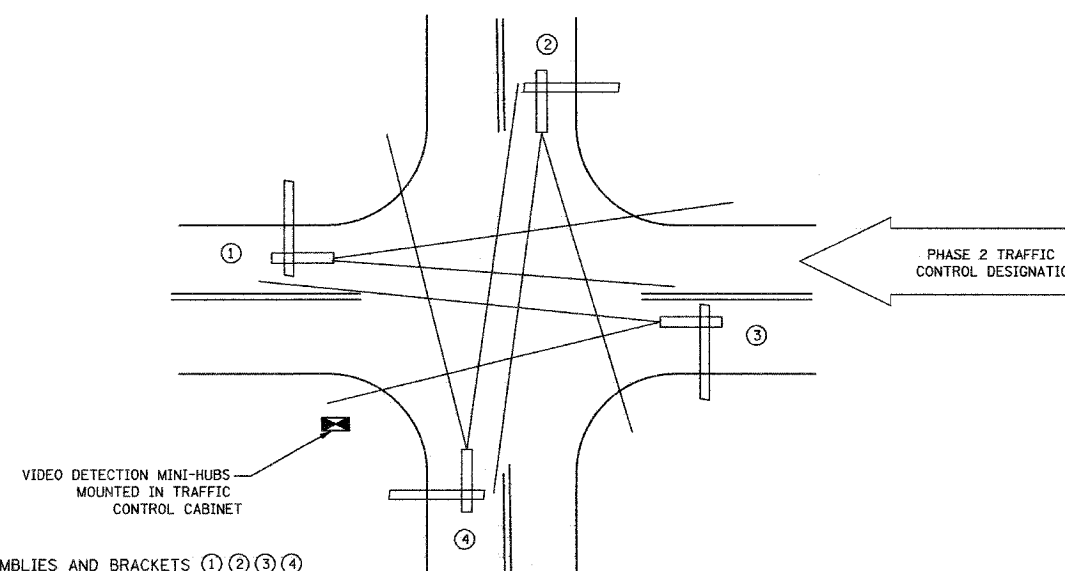


TYPICAL DUAL MACHINE VISION PROCESSORS MOUNTING DETAILS



TYPICAL MULTIPLE MACHINE VISION PROCESSORS MOUNTING DETAILS

NOTES FOR SINGLE, DUAL AND MULTIPLE MOUNTING:  
- SECURE MVP MOUNTING BRACKET(S) AS HIGH AS POSSIBLE.  
- AIM MVP BRACKET(S) TOWARD DIRECTION OF TRAFFIC TO BE DETECTED.  
- MOUNT MACHINE VISION PROCESSOR(S) DOWN AT 30 DEGREE ANGLE.



(4) MACHINE VISION PROCESSOR ASSEMBLIES AND BRACKETS ① ② ③ ④  
POWER CABLE TO EACH MACHINE VISION PROCESSOR (24 VAC OR VDC)  
POWER CABLE TO PAN/TILT/ZOOM (DOME CAMERA) (115 VAC)

TYPICAL VIDEO VEHICLE DETECTION SYSTEM

ILLINOIS DEPARTMENT OF TRANSPORTATION

TYPICAL VIDEO DETECTION LAYOUT AND MOUNTING DETAILS

REVISIONS	
NAME	DATE

SCALE: NONE  
DATE: 03/08/2007

DRAWN BY: KGP  
DESIGNED BY: PKG  
CHECKED BY: PKG

**GO** GANDHI AND ASSOCIATES, INC.  
ENGINEERS AND PLANNERS  
6036 N. NORTHWEST HIGHWAY  
SUITE 306  
CHICAGO, ILLINOIS 60631 TEL. (773) 774-5910