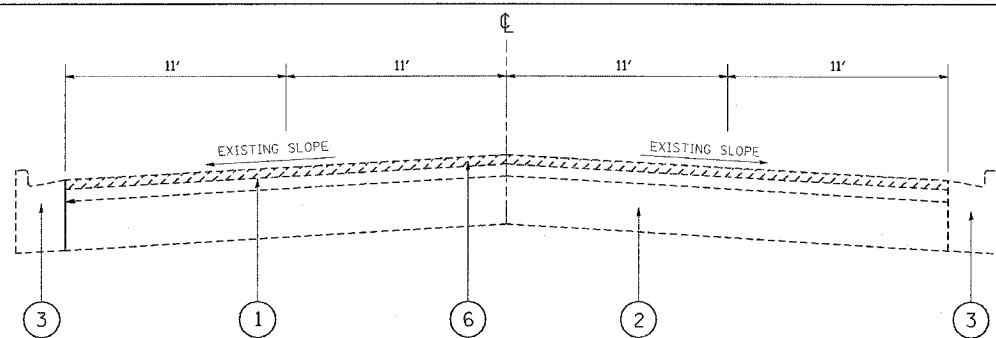
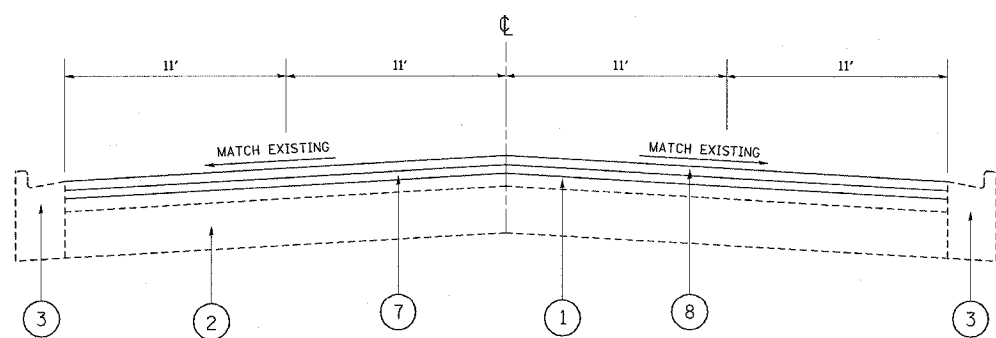


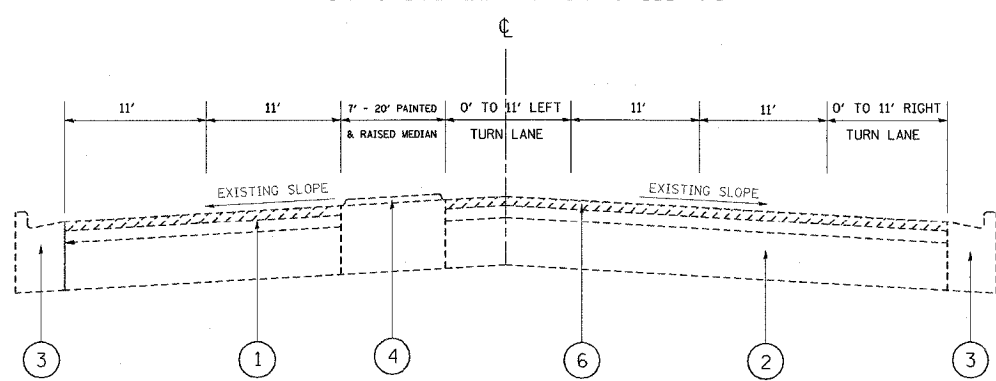
CONTRACT: 60C64				
F.A.U. RTE.	SECTION	COUNTY	TOTAL SHEETS	SHEET NO.
3887	(E-1, P, G, H & R) RS-5	KANE	43	7
STA. +	TO STA. +			
FED. ROAD DIST. NO. 1	ILLINOIS	HIGHWAY PROJECT		



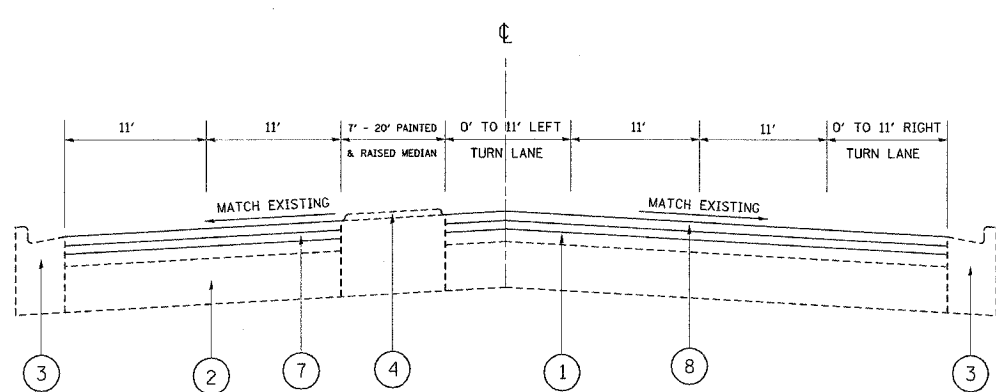
EXISTING TYPICAL CROSS SECTION
STA. 101+21 TO STA. 111+65



PROPOSED TYPICAL CROSS SECTION
STA. 101+21 TO STA. 111+65



EXISTING TYPICAL CROSS SECTION
STA. 111+65 TO STA. 119+10



PROPOSED TYPICAL CROSS SECTION
STA. 111+65 TO STA. 119+10

LEGEND

- ① EXISTING HOT-MIX ASPHALT OVERLAY, 5" (±)
- ② EXISTING P.C.C. BASE COURSE, 10" (±)
- ③ EXISTING COMBINATION CONCRETE CURB & GUTTER
- ④ EXISTING RAISED MEDIAN
- ⑤ PROPOSED HOT-MIX ASPHALT SURFACE REMOVAL, 1 3/4" (PARKING LANES AND BRIDGE APPROACH SLAB)
- ⑥ PROPOSED HOT-MIX ASPHALT SURFACE REMOVAL, 2 1/2"
- ⑦ PROPOSED POLYMERIZED LEVELING BINDER (MM), IL-4.75, N50, (3/4")
- ⑧ PROPOSED POLYMERIZED HMA SURFACE COURSE, MIX "F", N90, (1 3/4")

DENOTES REMOVAL

REVISIONS	
NAME	DATE

ILLINOIS DEPARTMENT OF TRANSPORTATION
IL 31
EXISTING AND PROPOSED
TYPICAL SECTIONS
SCALE: VERT. NONE
HORIZ. NONE
DATE 4/18/2007
DRAWN BY
CHECKED BY