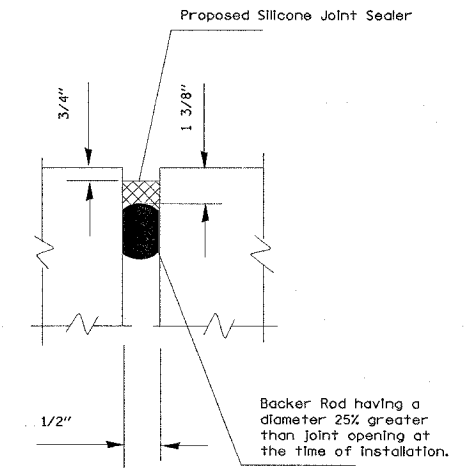
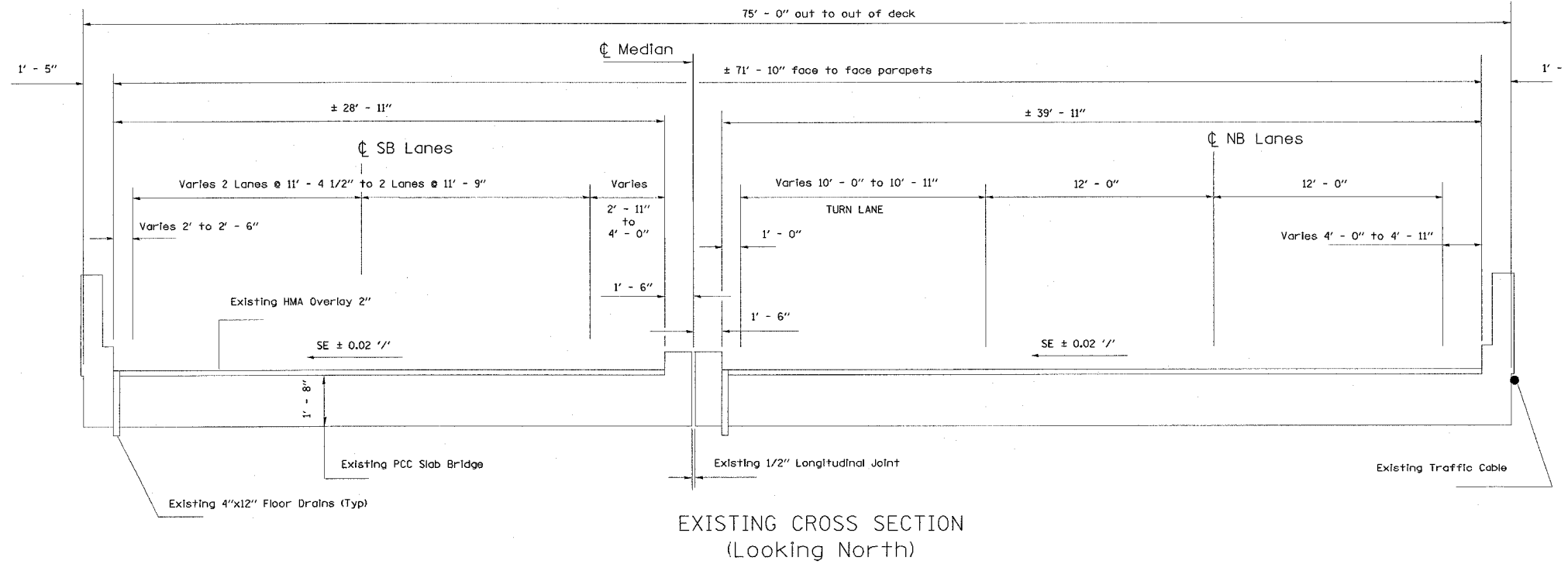
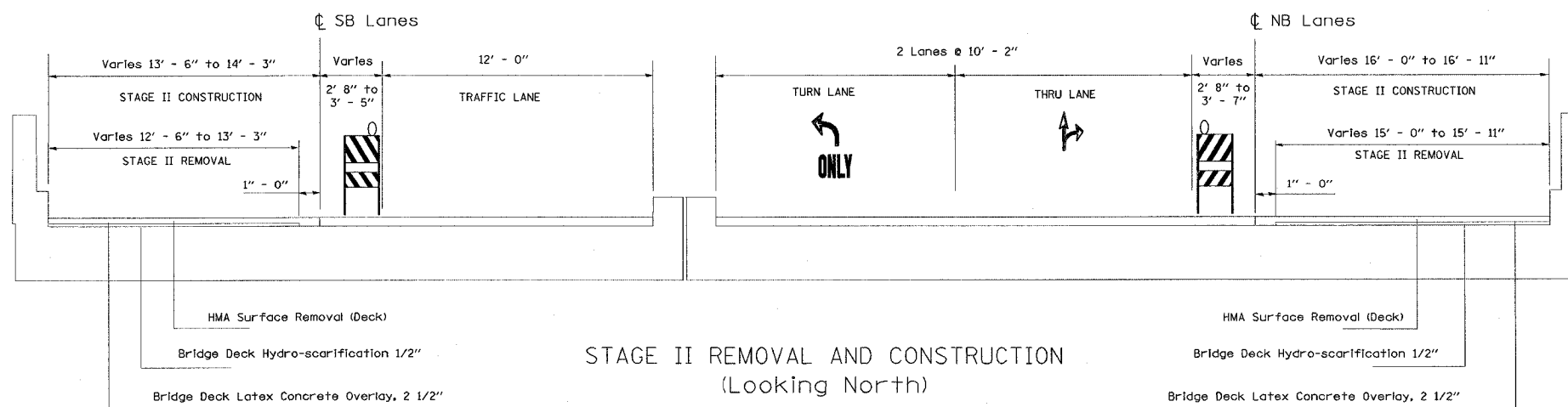
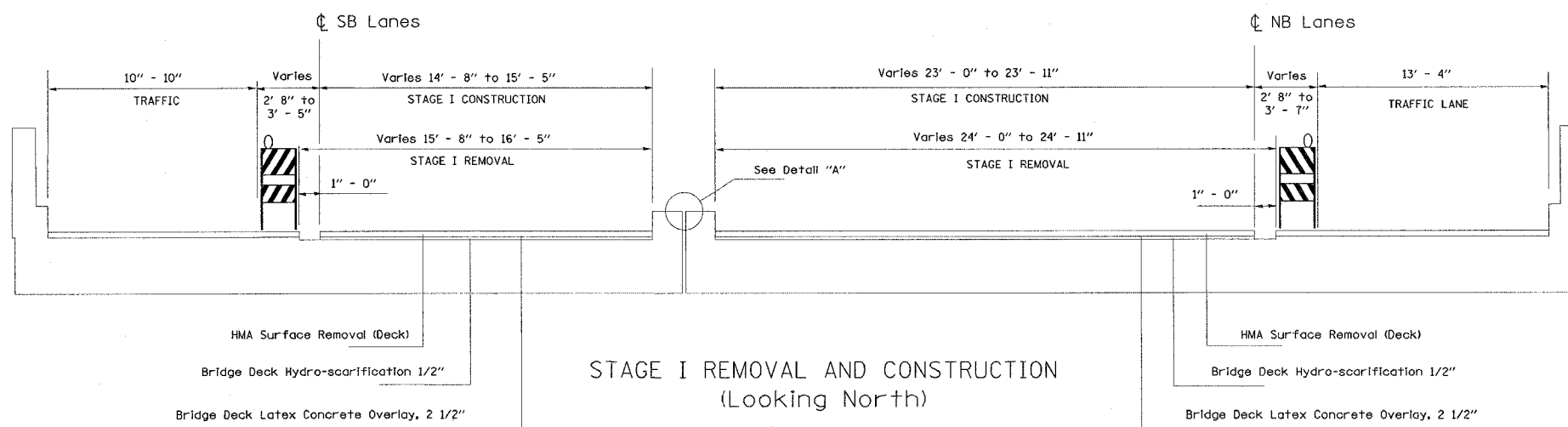


F.A.U. RTE.	SECTION	COUNTY	TOTAL SHEETS	SHEET NO.
3887	IE-LP,G,H&RIS-5	KANE	43	20
STA.	TO STA.			
FED. ROAD DIST. NO.	ILLINOIS	FED. AID PROJECT		



Removal of existing Hot-poured Joint Filler Elastic Type is Included in the cost of the Silicone Joint Sealer



REVISIONS	
NAME	DATE

ILLINOIS DEPARTMENT OF TRANSPORTATION

IL 31 OVER TYLER CREEK

SN 045-0015

CROSS SECTIONS

STAGE CONSTRUCTION

SCALE: VERT. DATE

HORIZ. DATE

DRAWN BY

CHECKED BY

PLOT DATE = 4/19/2007

PLOT SCALE = 50,000 / IN

USER NAME = benort