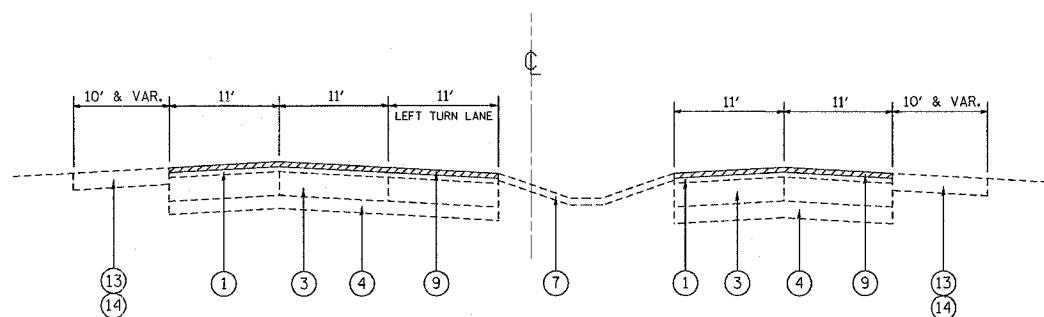


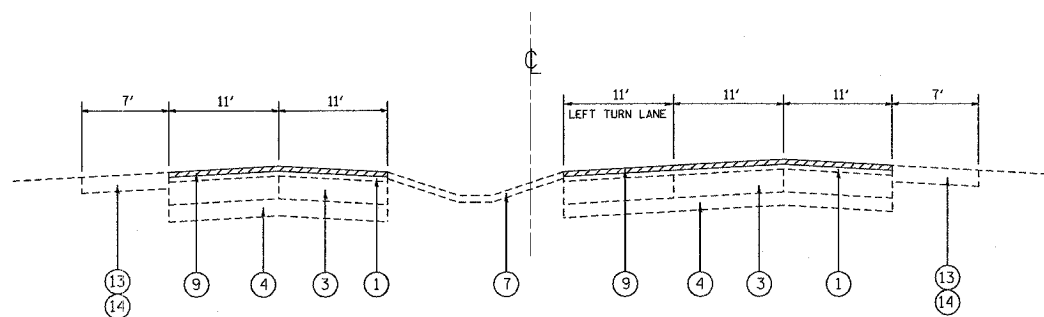
F. A. P. DIST.	SECTION	COUNTY	TOTAL SHEETS	SHEET NO.
846	(4,4R,&5) RS-7	WILL	35	4
STA. +	TO STA. +			
FED. ROAD DIST. NO. 1	ILLINOIS	FED. AID PROJECT		

CONTRACT NO.: 62364



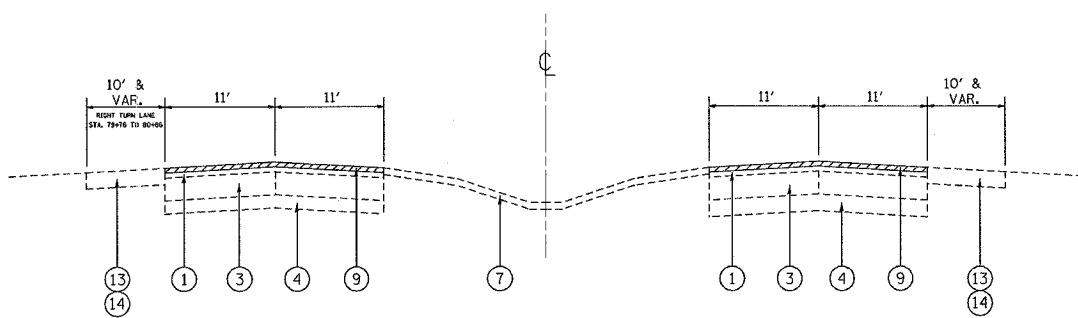
EXISTING TYPICAL CROSS SECTION

STA. 9+77 TO STA. 14+06  
 STA. 117+34 TO STA. 119+60  
 STA. 141+46 TO STA. 144+92  
 STA. 193+20 TO STA. 196+98  
 STA. 197+59 TO STA. 201+24  
 STA. 202+84 TO STA. 205+63  
 STA. 206+30 TO STA. 209+85  
 STA. 211+15 TO STA. 214+07



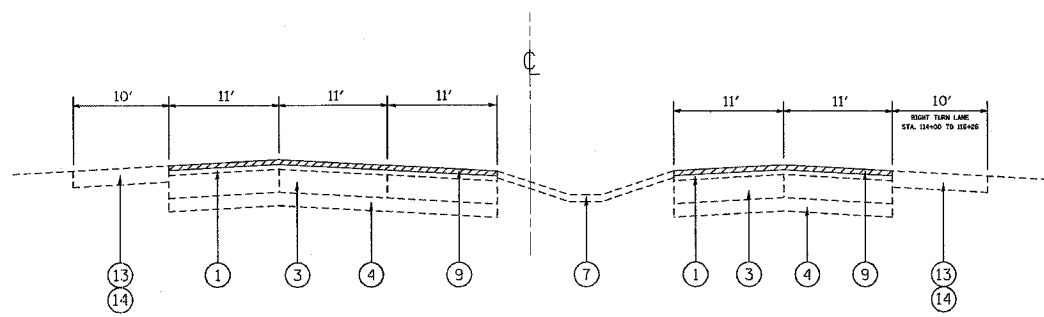
EXISTING TYPICAL CROSS SECTION

STA. 190+72 TO STA. 192+20



EXISTING TYPICAL CROSS SECTION

STA. 14+06 TO STA. 106+68  
 STA. 119+60 TO STA. 140+65  
 STA. 144+92 TO STA. 190+72  
 STA. 214+91 TO STA. 244+09  
 STA. 253+98 TO STA. 257+65



EXISTING TYPICAL CROSS SECTION

STA. 106+68 TO STA. 116+26

**LEGEND:**

- ① EXISTING HOT-MIX ASPHALT SURFACE, 3"
- ② EXISTING HOT-MIX ASPHALT SHOULDER, 8"
- ③ EXISTING P.C.C. PAVEMENT, 10"
- ④ EXISTING STABILIZED SUB-BASE
- ⑤ EXISTING COMBINATION CONCRETE CURB AND GUTTER, TYPE B-6.12
- ⑥ EXISTING COMBINATION CONCRETE CURB AND GUTTER, TYPE M-2.12
- ⑦ EXISTING GRASS MEDIAN
- ⑧ EXISTING HOT-MIX ASPHALT MEDIAN
- ⑨ PROPOSED HOT-MIX ASPHALT SURFACE REMOVAL, 2 1/4"
- ⑩ PROPOSED POLYMERIZED LEVELING BINDER (MACHINE METHOD), SUPERPAVE, IL-4.75, 3/4"
- ⑪ PROPOSED HOT-MIX ASPHALT SURFACE COURSE, SUPERPAVE, MIX "D", N70, 1 1/2"
- ⑫ PROPOSED HOT-MIX ASPHALT BINDER COURSE, IL-19.0, N70, 5 3/4"
- ⑬ PROPOSED GRADING AND SHAPING SHOULDERS
- ⑭ PROPOSED AGGREGATE SHOULDERS, TYPE B

**MIXTURE REQUIREMENTS**

MIXTURE USE	AC/PG	RAP % (MAX)	DESIGN AIR VOIDS
HOT-MIX ASPHALT SURFACE COURSE, SUPERPAVE, MIX "C", N50 IL-9.5MM	PG 64-22	15	4% @ 50
HOT-MIX ASPHALT SURFACE COURSE, SUPERPAVE, MIX "D", N70 IL-9.5MM	PG 64-22	10/15	4% @ 70
POLYMERIZED LEVELING BINDER (MACHINE METHOD), SUPERPAVE, IL-4.75, N50	SBS/SBR PG 76-28/ 76-22	15	4% @ 50
CLASS "D" PATCHES, 10" * BINDER COURSE, IL-19MM	PG 64-22/ 58-22	15/25	4% @ 70
HOT-MIX ASPHALT REPLACEMENT OVER PATCHES, BINDER COURSE, * IL-19MM	PG 64-22/ 58-22	15/25	4% @ 70

**NOTES:**

THE UNIT WEIGHT USED TO CALCULATE ALL HOT-MIX SURFACE QUANTITIES IS 112 LBS./ SQ. YD./ IN.

\* WHEN RAP EXCEEDS 20% THE NEW ASPHALT BINDER IN THE MIX SHALL BE PG 58-22

REVISIONS	
NAME	DATE

ILLINOIS DEPARTMENT OF TRANSPORTATION  
 TYPICAL SECTIONS  
 F.A.P. 846/IL 53 (CHICAGO ST.)  
 MANHATTAN RD. TO OLD ELM RD.

SCALE: VERT. 1"=50'  
 HORIZ. 1"=50'  
 DATE 5/11/2007

DRAWN BY: P. STEED  
 CHECKED BY: