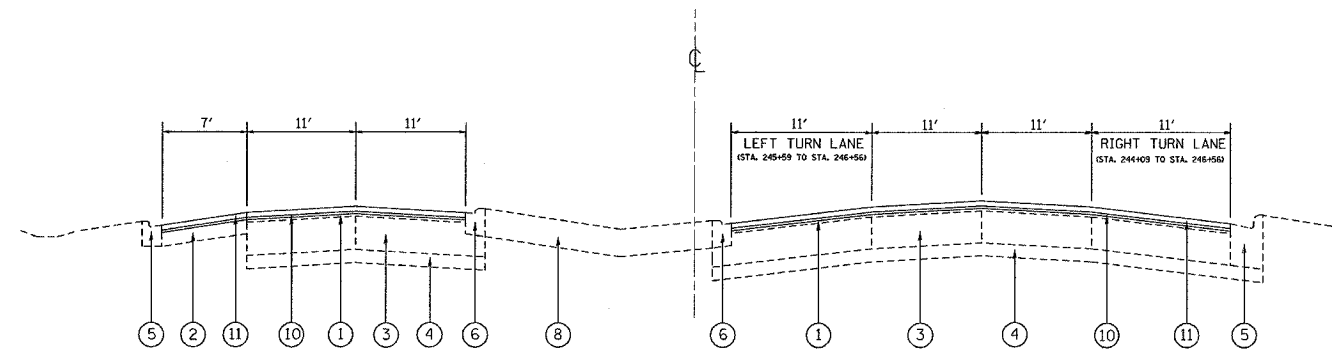
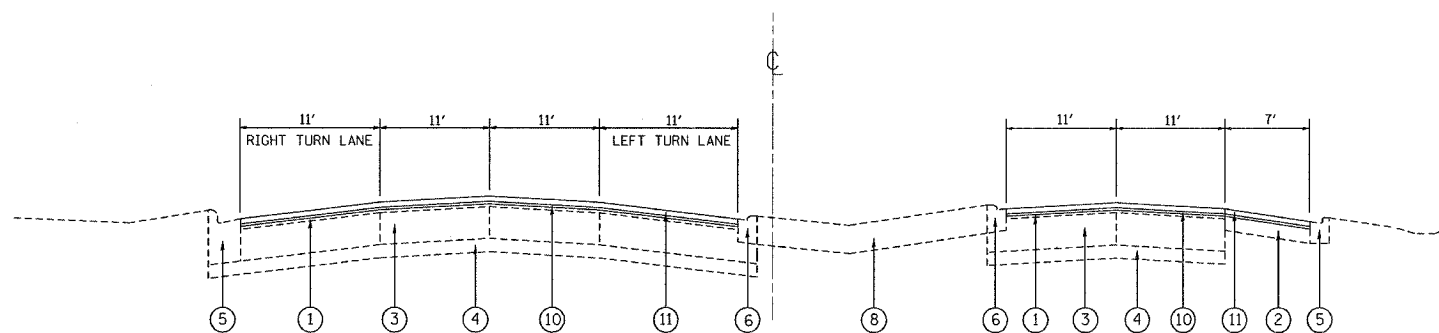


F.A.P. NO.	SECTION	COUNTY	TOTAL SHEETS	SHEET NO.
846	(4,4R,&5) RS-7	WILL	35	7
STA. +	TO STA. +			
FED. ROAD DIST. NO. 1	ILLINOIS	FED. AID PROJECT		

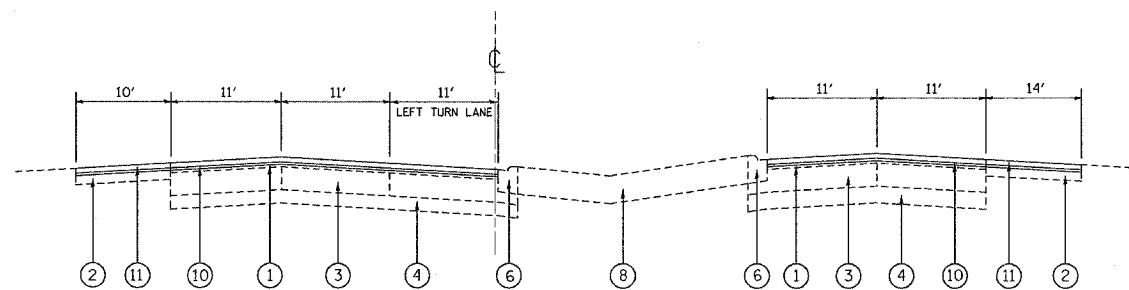
CONTRACT NO.: 62364



PROPOSED TYPICAL CROSS SECTION
STA. 244+09 TO 246+95



PROPOSED TYPICAL CROSS SECTION
STA. 247+52 TO STA. 250+48



PROPOSED TYPICAL CROSS SECTION
STA. 251+14 TO STA. 253+98
STA. 258+35 TO STA. 261+20

LEGEND:

- ① EXISTING HOT-MIX ASPHALT SURFACE, 3"
- ② EXISTING HOT-MIX ASPHALT SHOULDER, 8"
- ③ EXISTING P.C.C. PAVEMENT, 10"
- ④ EXISTING STABILIZED SUB-BASE
- ⑤ EXISTING COMBINATION CONCRETE CURB AND GUTTER, TYPE B-6.12
- ⑥ EXISTING COMBINATION CONCRETE CURB AND GUTTER, TYPE M-2.12
- ⑦ EXISTING GRASS MEDIAN
- ⑧ EXISTING HOT-MIX ASPHALT MEDIAN
- ⑨ PROPOSED HOT-MIX ASPHALT SURFACE REMOVAL, 2 1/4"
- ⑩ PROPOSED POLYMERIZED LEVELING BINDER (MACHINE METHOD), SUPERPAVE, IL-4.75, 3/4"
- ⑪ PROPOSED HOT-MIX ASPHALT SURFACE COURSE, SUPERPAVE, MIX "D", N70, 1 1/2"
- ⑫ PROPOSED HOT-MIX ASPHALT BINDER COURSE, IL-19.0, N70, 5 3/4"
- ⑬ PROPOSED GRADING AND SHAPING SHOULDERS
- ⑭ PROPOSED AGGREGATE SHOULDERS, TYPE B

5/2/2007
C:\p\jects\846\100202\00202000.m32
REF

VI-

REVISIONS	
NAME	DATE

ILLINOIS DEPARTMENT OF TRANSPORTATION
TYPICAL SECTION
F.A.P. 846/IL 53 (CHICAGO ST.)
MANHATTAN RD. TO OLD ELM RD.

SCALE: VERT. 1"=50'
HORIZ. 1"=50'
DATE 5/2/2007

DRAWN BY: P. STEED
CHECKED BY: