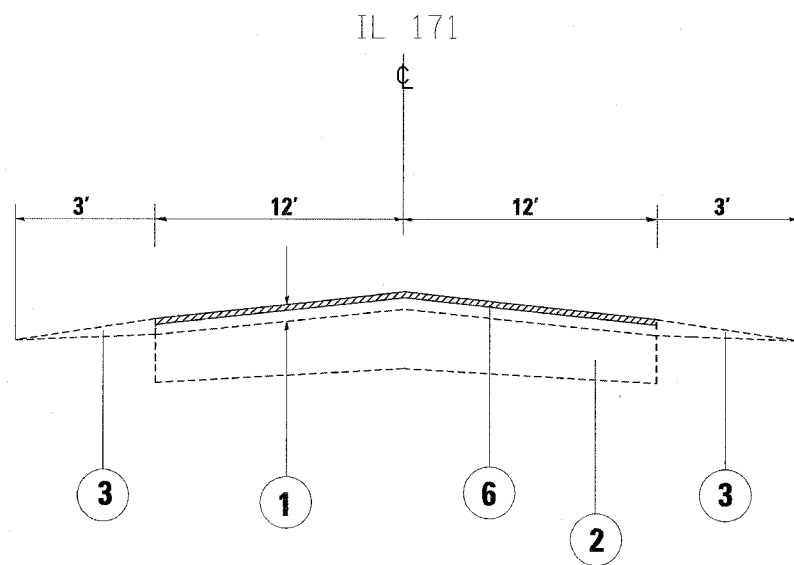
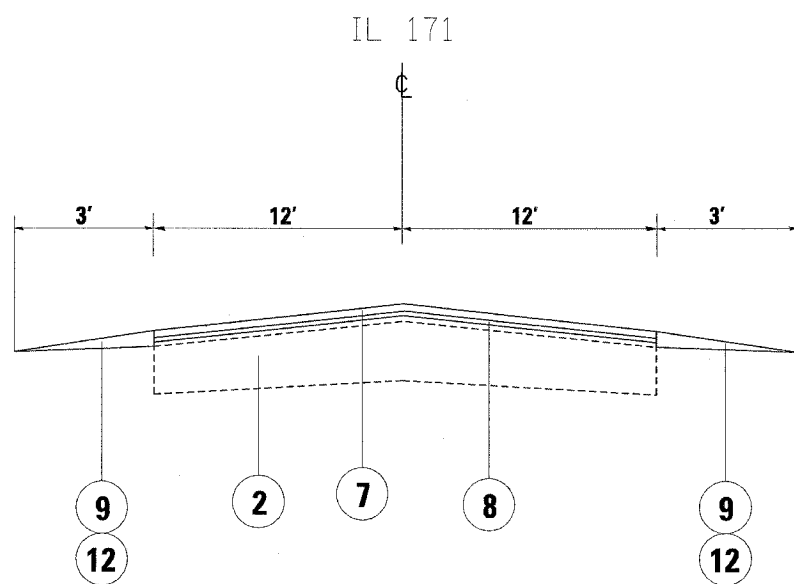


F.A.U. RTE.	SECTION	COUNTY	TOTAL SHEETS	SHEET NO.
3565	(B&U-1) RS-6	COOK	27	4
FED. ROAD DIST. NO.	ILLINOIS	FED. AID PROJECT		



EXISTING TYPICAL CROSS SECTION
STATION 109+12 TO STATION 311+20



PROPOSED TYPICAL CROSS SECTION
STATION 109+12 TO STATION 311+20

LEGEND

- ① EXISTING HOT-MIX ASPHALT SURFACE, 6" +/-
- ② EXISTING P.C.C. PAVEMENT, 9" +/-
- ③ EXISTING AGGREGATE SHOULDER
- ④ EXISTING CONCRETE CURB AND GUTTER, TYPE B-6.24
- ⑤ EXISTING RAISED CONCRETE MEDIAN
- ⑥ PROPOSED HOT MIX ASPHALT SURFACE REMOVAL, 2 1/4"
- ⑦ PROPOSED HOT MIX ASPHALT CONCRETE SURFACE COURSE, MIX "D", N70, 1 1/2"
- ⑧ PROPOSED POLYMERIZED LEVELING BINDER, (MACHINE METHOD), IL - 4.75, N50, 3/4"
- ⑨ PROPOSED AGGREGATE WEDGE SHOULDERS, TYPE B
- ⑩ PROPOSED HOT MIX ASPHALT SURFACE REMOVAL, 2 1/2"
- ⑪ PROPOSED HMA SURFACE COURSE, MIX "F", N90, 1 3/4"
- ⑫ PROPOSED GRADING & SHAPING SHOULDER

REVISIONS	
NAME	DATE

ILLINOIS DEPARTMENT OF TRANSPORTATION
ILLINOIS ROUTE 171
IL 83 TO WILLOW SPRINGS ROAD
EXISTING AND PROPOSED
TYPICAL SECTIONS

SCALE: VERT.
 HORIZ.
 DATE 3/28/2007

DRAWN BY
 CHECKED BY