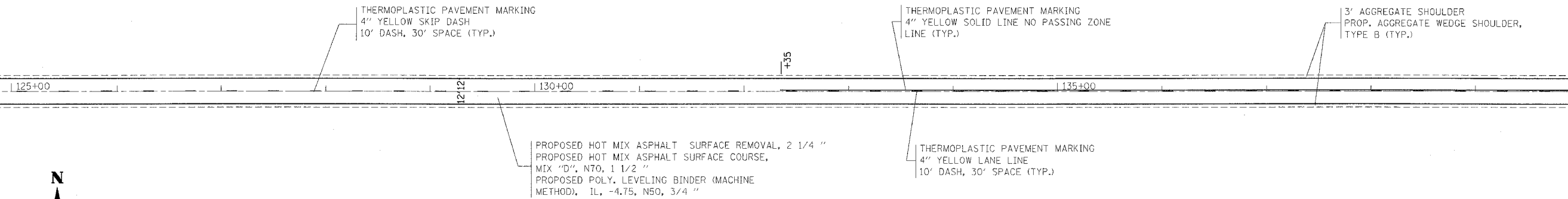


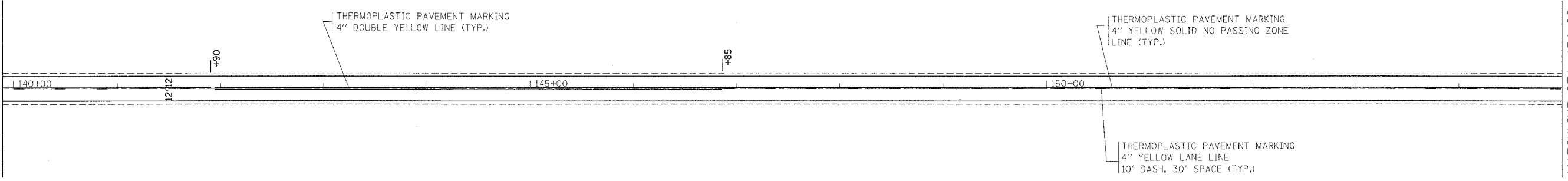
F.A.U. RYE	SECTION	COUNTY	TOTAL SHEETS	SHEET NO.
3565	(B&U-1) RS-6	COOK	27	8
STA.		TO STA.		
FED. ROAD DIST. NO. 6		ILLINOIS FED. AID PROJECT		

MATCHLINE STA. 124+74



MATCHLINE STA. 139+89

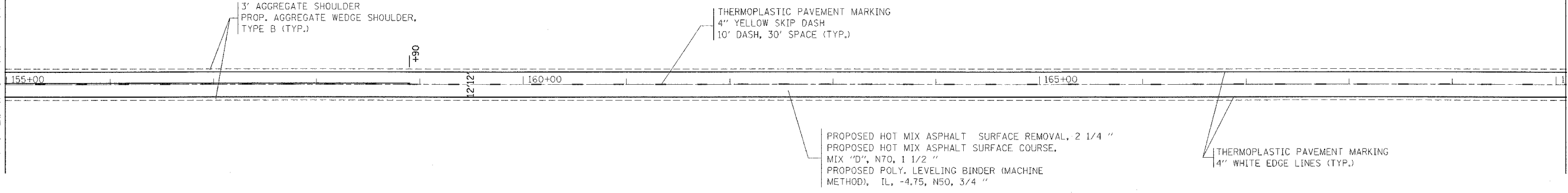
MATCHLINE STA. 139+89



MATCHLINE STA. 154+99

IL 171

MATCHLINE STA. 154+99



MATCHLINE STA. 170+10

NOTES:
LIMIT OF RESURFACING ON SIDE-STREETS THROUGH OUT THE IMPROVEMENT SHALL BE TO THE RADIUS OF RETURN OR AS DIRECTED BY THE ENGINEER

ALL FINAL PAVEMENT MARKINGS SHALL BE THERMOPLASTIC (OF THE EXTRUDED TYPE) AND SHOULD BE PLACED IN ACCORDANCE WITH "DISTRICT ONE TYPICAL PAVEMENT MARKINGS" DETAIL, (TC-13).

ALL RAISED REFLECTIVE PAVEMENT MARKINGS SHALL BE PLACED IN ACCORDANCE WITH THE DISTRICT ONE "TYPICAL APPLICATIONS RAISED REFLECTIVE PAVEMENT MARKER DETAIL," (TC-11).

REVISIONS	
NAME	DATE

ILLINOIS DEPARTMENT OF TRANSPORTATION

ILLINOIS ROUTE 171
IL 83 TO WILLOW SPRINGS ROAD

ROADWAY AND PAVEMENT MARKING PLANS

SCALE: VERT. DATE
HORIZ. DATE

DRAWN BY
CHECKED BY