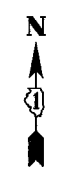


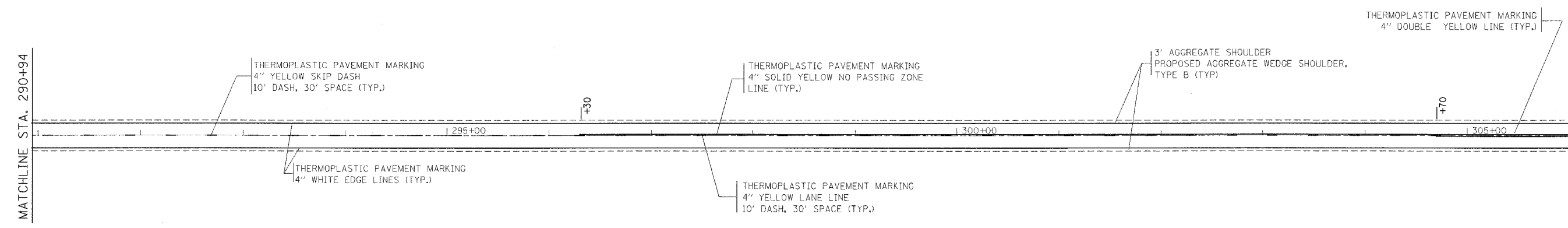
F.A.U. RTE.	SECTION	COUNTY	TOTAL SHEETS	SHEET NO.
3565	(B&U-1) RS-6	COOK	27	12
STA.		TO STA.		
FED. ROAD DIST. NO.		ILLINOIS	FED. AID PROJECT	

IL 171

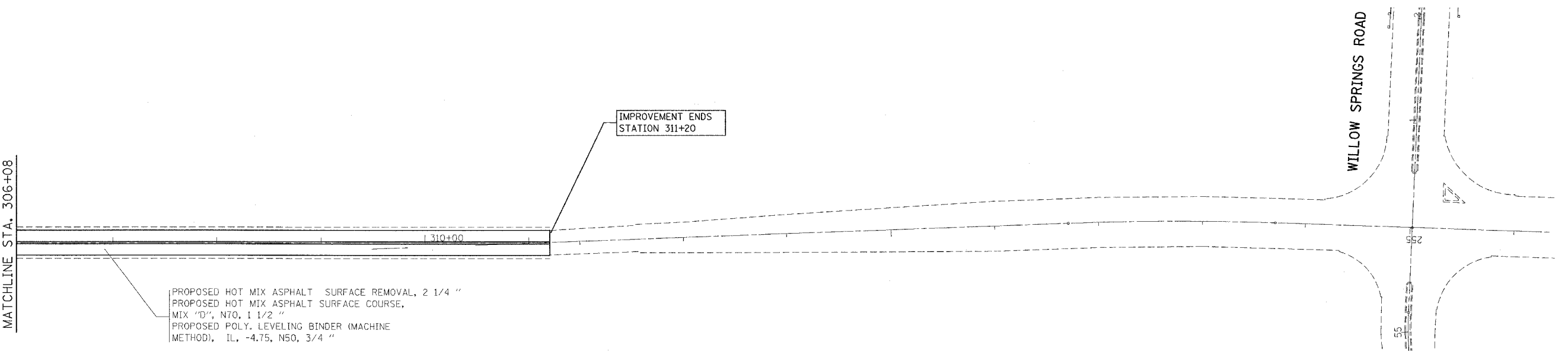


MATCHLINE STA. 290+94

MATCHLINE STA. 306+08



MATCHLINE STA. 306+08



IMPROVEMENT ENDS STATION 311+20

NOTES:  
 LIMIT OF RESURFACING ON SIDE-STREETS THROUGH OUT THE IMPROVEMENT SHALL BE TO THE RADIUS OF RETURN OR AS DIRECTED BY THE ENGINEER  
 ALL FINAL PAVEMENT MARKINGS SHALL BE THERMOPLASTIC (OF THE EXTRUDED TYPE) AND SHOULD BE PLACED IN ACCORDANCE WITH "DISTRICT ONE TYPICAL PAVEMENT MARKINGS" DETAIL, (TC-13).  
 ALL RAISED REFLECTIVE PAVEMENT MARKINGS SHALL BE PLACED IN ACCORDANCE WITH THE DISTRICT ONE "TYPICAL APPLICATIONS RAISED REFLECTIVE PAVEMENT MARKER DETAIL." (TC-11).

REVISIONS	
NAME	DATE

ILLINOIS DEPARTMENT OF TRANSPORTATION  
 ILLINOIS ROUTE 171  
 IL 83 TO WILLOW SPRINGS ROAD  
 ROADWAY AND PAVEMENT MARKING PLANS  
 SCALE: VERT. \_\_\_\_\_  
 HORIZ. \_\_\_\_\_  
 DATE \_\_\_\_\_  
 DRAWN BY \_\_\_\_\_  
 CHECKED BY \_\_\_\_\_