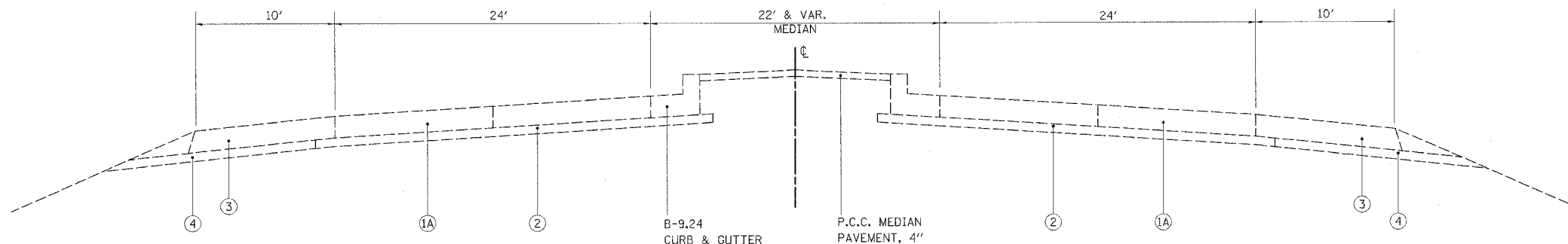
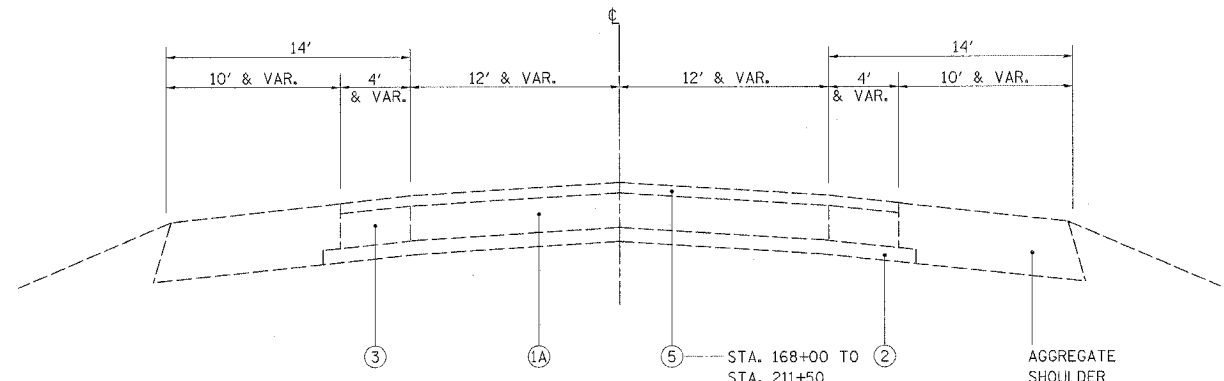


F.A.P. RTE.	SECTION	COUNTY	TOTAL SHEETS	SHEET NO.
326	107RS-2	KANE	31	4
STA.		TO STA.		
FED. ROAD DIST. NO. 7		ILLINOIS FED. AID PROJECT		

CONTRACT NO.: 62751

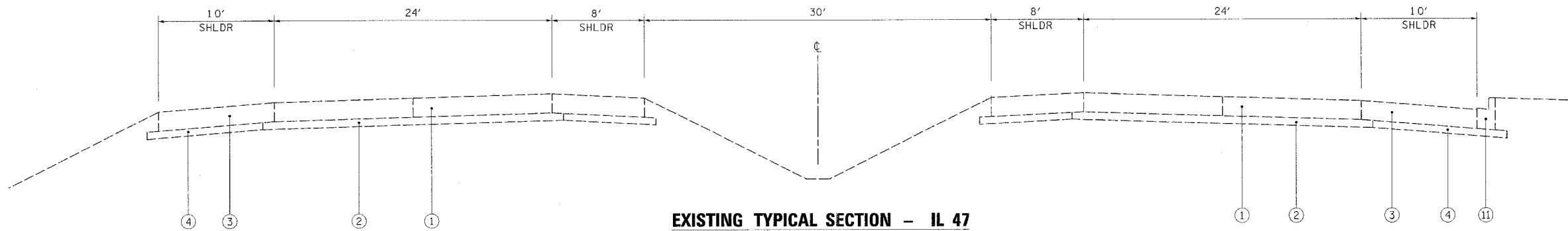


EXISTING TYPICAL SECTION - IL 47
STA. 220+77 TO STA. 238+75

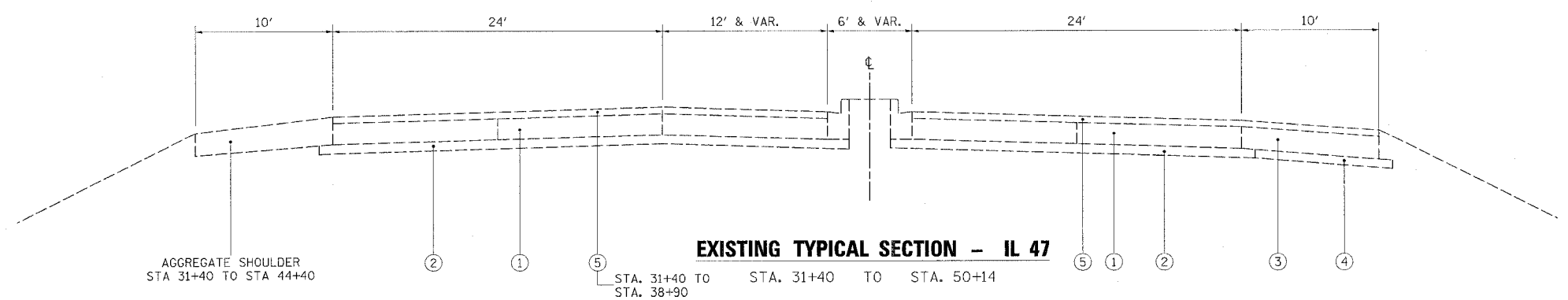


EXISTING TYPICAL SECTION - IL 47
STA. 168+00 TO STA. 220+77
STA. 238+75 TO STA. 245+24

- LEGEND
- ① EXISTING CRC PAVEMENT, 8"
 - ①A EXISTING PCC PAVEMENT, 10"
 - ② EXISTING STABILIZED SUB-BASE (BAM), 4"
 - ③ EXISTING STABILIZED SHOULDER (BAM), 8"
 - ④ EXISTING GRANULAR MATERIAL, 4"
 - ⑤ EXISTING BITUMINOUS SURFACE, 3"
 - ①① EXISTING CURB AND GUTTER (LOCATION VAR.)



EXISTING TYPICAL SECTION - IL 47
STA. 50+14 TO STA. 168+00



EXISTING TYPICAL SECTION - IL 47
AGGREGATE SHOULDER STA 31+40 TO STA 44+40
STA. 31+40 TO STA. 38+90
STA. 31+40 TO STA. 50+14

REVISIONS	
NAME	DATE

ILLINOIS DEPARTMENT OF TRANSPORTATION
FAU ROUTE 326 (IL 47)
GALENA BLVD TO SEAVEY RD

TYPICAL SECTIONS

VERT. SCALE: HORIZ. DATE: March 23, 2007
DRAWN BY JP
CHECKED BY SPF

3/23/2007 11:52:22 AM c:\il\2007\115222\1147 - 3p\road\design\112511\typical.dgn