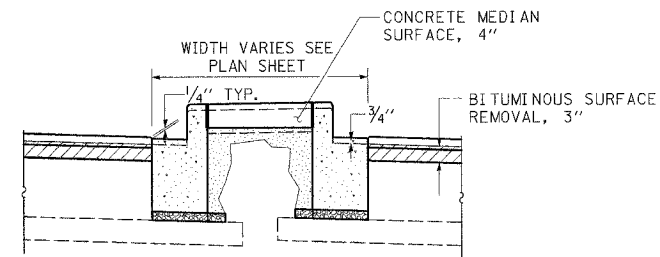
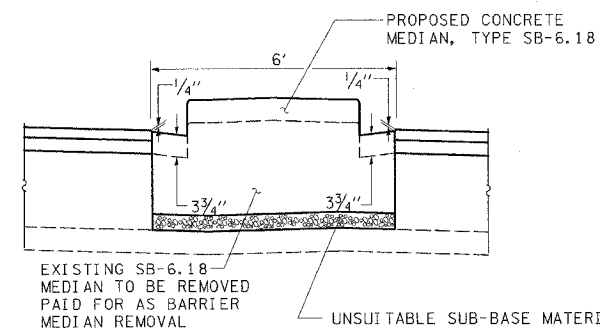


F.A.P. RTE.	SECTION	COUNTY	TOTAL SHEETS	SHEET NO.
326	107RS-2	KANE	31	8
STA.		TO STA.		
FED. ROAD DIST. NO. 7		ILLINOIS FED. AID PROJECT		

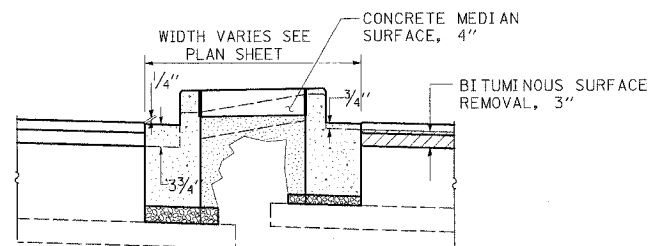
CONTRACT NO.: 62751



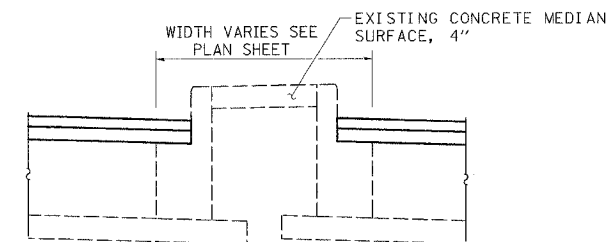
TYPICAL MEDIAN DETAIL
STA. 33+94 TO STA. 38+90



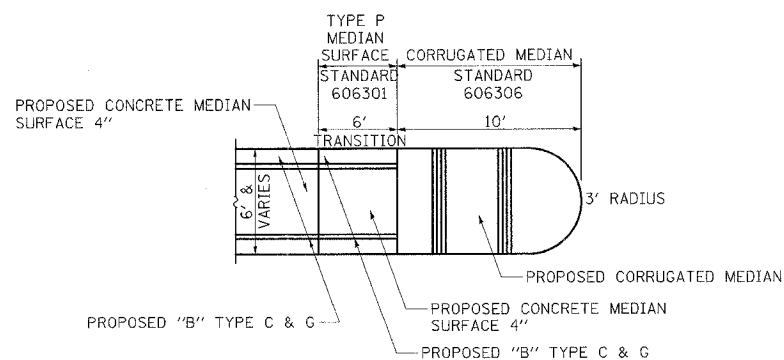
TYPICAL MEDIAN DETAIL
@ WAUBONSEE DRIVE
STA. 111+33 TO STA. 113+68
STA. 115+10 TO STA. 117+51



TYPICAL MEDIAN DETAIL
STA. 38+90 TO STA. 44+74
STA. 45+87 TO STA. 50+14



TYPICAL MEDIAN DETAIL
STA. 223+02 TO STA. 226+86
STA. 229+83 TO STA. 236+59



CORRUGATED MEDIAN NOSE DETAIL

NOTES:
SEE "CURB OR CURB AND GUTTER REMOVAL AND REPLACEMENT" DETAIL FOR ADDITIONAL INFORMATION
PITCH GUTTER FLAG SAME AS ADJACENT PAVEMENT.
NEW CURB AND GUTTER SHALL MATCH EXISTING IN ACCORDANCE WITH STATE STANDARD 606001.

REVISIONS	
NAME	DATE

ILLINOIS DEPARTMENT OF TRANSPORTATION
FAU ROUTE 326 (IL 47)
GALENA BLVD TO SEAVEY RD

MEDIAN DETAILS

SCALE: VERT.
HORIZ.
DATE: March 23, 2007

DRAWN BY NEC
CHECKED BY SPF