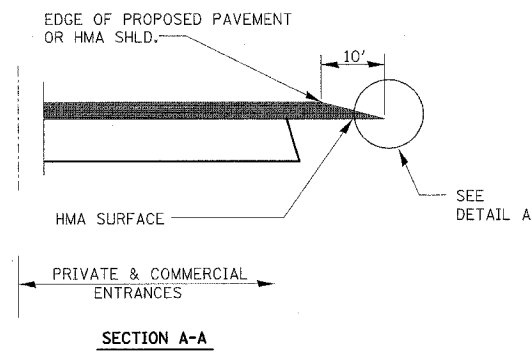
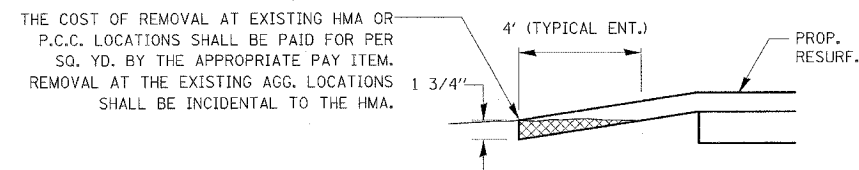


F.A.P. RTE.	SECTION	COUNTY	TOTAL SHEETS	SHEET NO.
326	107RS-2	KANE	31	19
STA.		TO STA.		
FED. ROAD DIST. NO. 7 ILLINOIS FED. AID PROJECT				

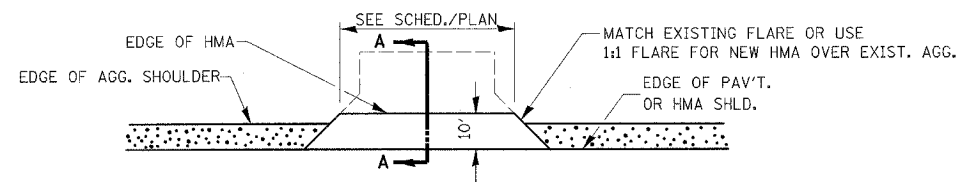
CONTRACT NO.: 62751



DETAILS AT ENTRANCES

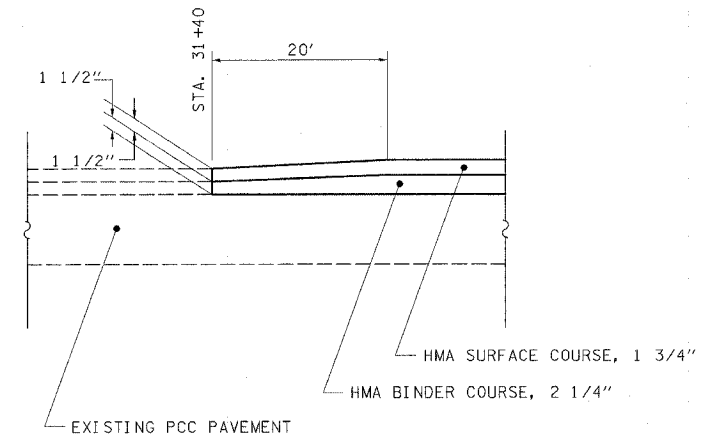


DETAIL A



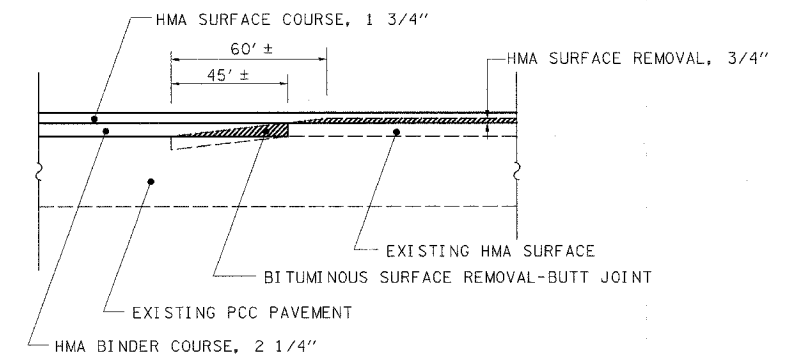
PLAN AT PRIVATE & COMMERCIAL ENTRANCES

(DO NOT RESURFACE FIELD ENTRANCES)



HOT-MIX ASPHALT TAPER DETAIL

@ STA. 31+40



HOT-MIX ASPHALT TAPER DETAIL

@ STA. 168+01
@ STA. 211+50 (OPPOSITE)

REVISIONS	
NAME	DATE

ILLINOIS DEPARTMENT OF TRANSPORTATION
FAU ROUTE 326 (IL 47)
GALENA BLVD TO SEAVEY RD

ROADWAY DETAILS

SCALE: VERT.
HORIZ.
DATE: March 23, 2007

DRAWN BY NEC
CHECKED BY SPF

3/23/2007 11:49:17 AM K:\1182528\1147 - 3p\cadd\cadd\plan\1825\Detail.dgn