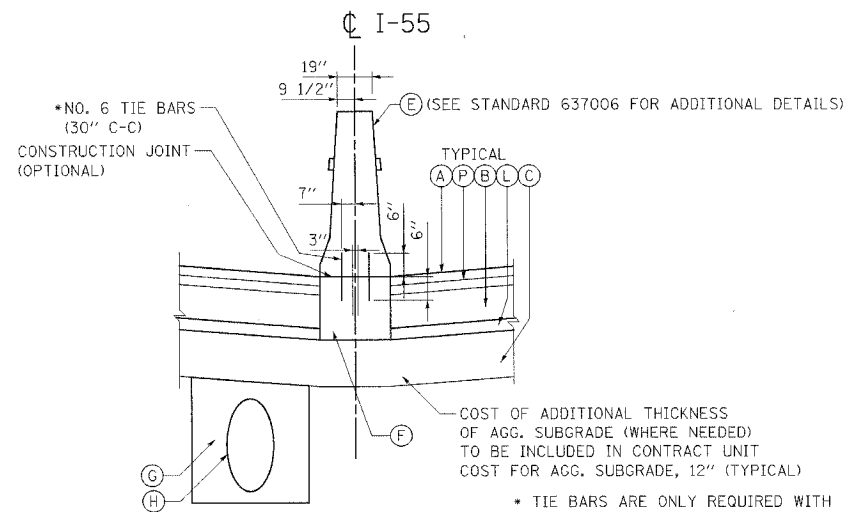
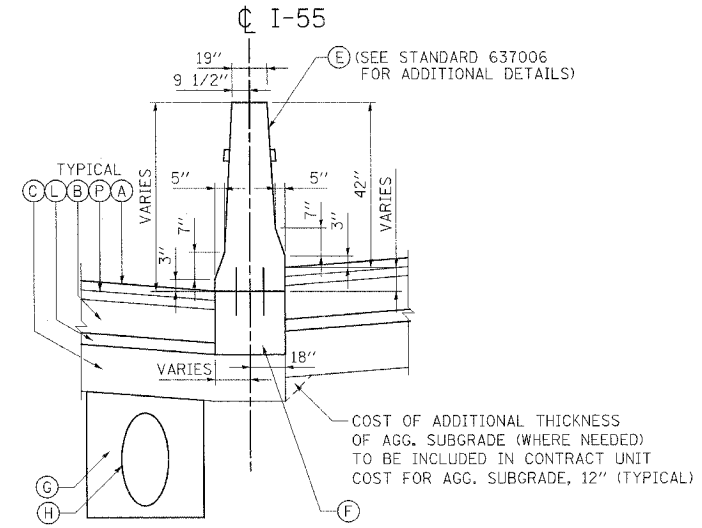


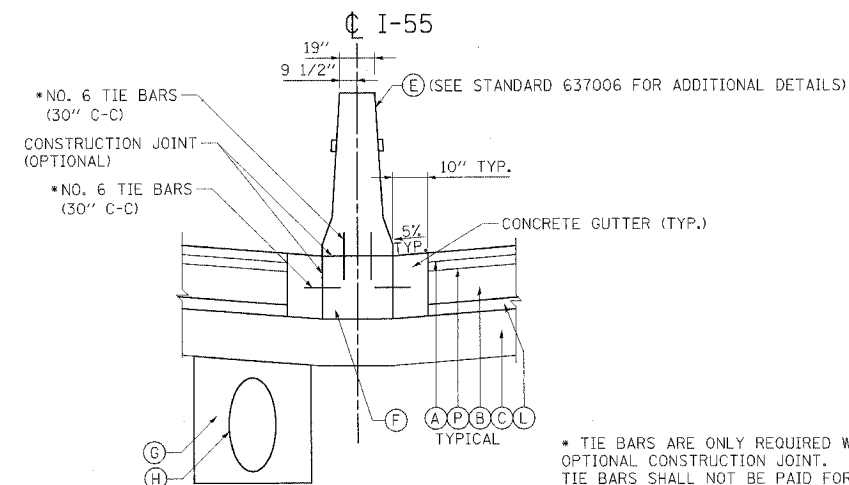
F.A.I. RTE.	SECTION	COUNTY	TOTAL SHEETS	SHEET NO.
55	99 (1&2) WRS	WILL	334	15
STA.	TO STA.			
FED. ROAD DIST. NO.	ILLINOIS	FED. AID PROJECT		



**MEDIAN DETAIL A**  
TYPICAL CONCRETE BARRIER AND BASE



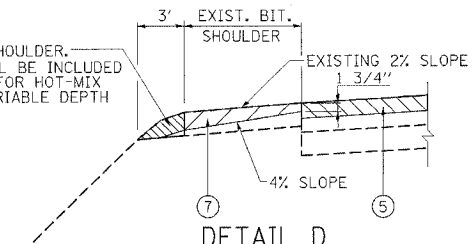
**MEDIAN DETAIL C**  
VARIABLE HEIGHT



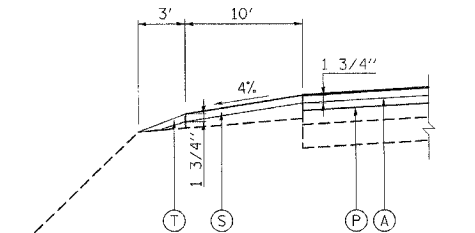
**MEDIAN DETAIL B**  
MEDIAN BARRIER W/ CONCRETE GUTTER

STA. 213+81.02 TO STA. 216+31.60 (SOUTHBOUND)  
 STA. 216+37.60 TO STA. 249+74.00 (MAINLINE SB & NB)  
 STA. 272+50.00 TO STA. 305+15.00 (MAINLINE SB & NB)  
 STA. 330+25.00 TO STA. 402+65.07 (MAINLINE SB & NB)

REMOVE EXISTING AGGREGATE SHOULDER. THE COST FOR THIS WORK SHALL BE INCLUDED IN THE CONTRACT UNIT PRICE FOR HOT-MIX ASPHALT SURFACE REMOVAL, VARIABLE DEPTH

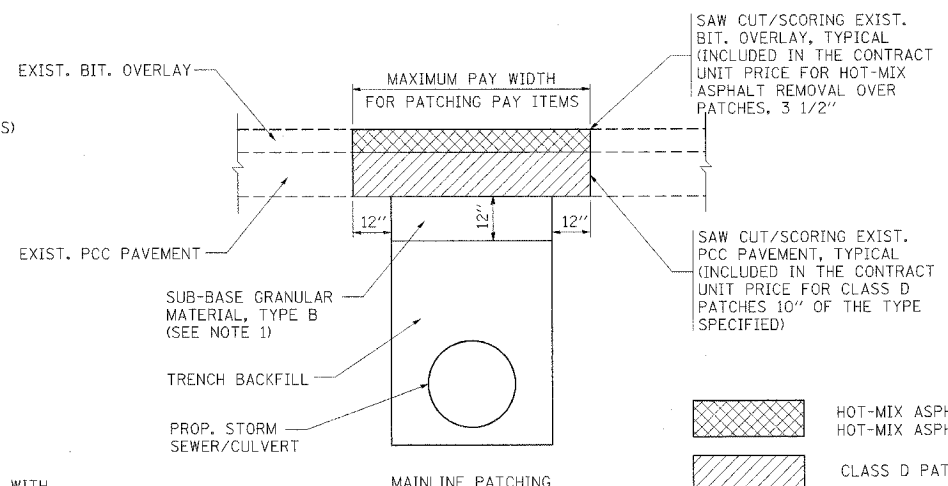


**DETAIL D**



**DETAIL E**

SAW CUT/SCORING EXIST. BIT. SHOULDER, TYPICAL (INCLUDED IN THE CONTRACT UNIT PRICE FOR CLASS D PATCHES 10" OF THE TYPE SPECIFIED)



**NOTES:**

1. SUB-BASE GRANULAR MATERIAL, TYPE B SHALL BE CONSTRUCTED IN ACCORDANCE WITH ARTICLES 311.02, 311.03, AND 311.05 OF THE STANDARD SPECIFICATIONS. THIS WORK WILL BE MEASURED AND PAID FOR AS TRENCH BACKFILL IN ACCORDANCE WITH ARTICLES 208.03 AND 208.04 OF THE STANDARD SPECIFICATIONS.

- HOT-MIX ASPHALT REMOVAL OVER PATCHES, 3 1/2"
- HOT-MIX ASPHALT REPLACEMENT OVER PATCHES
- CLASS D PATCHES 10 OF THE TYPE SPECIFIED

**PAVEMENT PATCHING FOR STORM SEWER LATERAL OUTLETS**

**EXISTING LEGEND**

- 1 P.C.C. PAVEMENT, 10"
- 2 BITUMINOUS RESURFACING 7"
- 3 BITUMINOUS SHOULDER 10"
- 4 AGGREGATE SHOULDER
- 5 HOT-MIX ASPHALT SURFACE REMOVAL, 3 1/2"
- 6 NOT USED
- 7 HOT-MIX ASPHALT SURFACE REMOVAL, VARIABLE DEPTH
- 8 POLYMERIZED BITUMINOUS CONCRETE SURFACE COURSE, SUPERPAVE, IL-19, N90 2"
- 9 BITUMINOUS CONCRETE BINDER COURSE, SUPERPAVE, IL-19, N90, 15"
- 10 BITUMINOUS SHOULDERS, SUPERPAVE, 17"
- 11 STABILIZED SUB-BASE 4"
- 12 PIPE UNDERDRAINS 6"
- 13 AGGREGATE SUBGRADE 12"
- 14 NOT USED
- 15 BITUMINOUS SHOULDER
- 16 SPBGR (SEE PLANS FOR LOCATIONS)

**PROPOSED LEGEND**

- A POLYMERIZED HOT-MIX ASPHALT SURFACE COURSE, STONE MATRIX ASPHALT, N80; 1 3/4"
- B HOT-MIX ASPHALT BASE COURSE, 8"
- C AGGREGATE SUBGRADE, 12"
- D EMBANKMENT
- E CONCRETE BARRIER, DOUBLE FACE, 42" HEIGHT
- F BARRIER BASE
- G TRENCH BACKFILL
- H STORM SEWER
- I STRIP REFLECTIVE CRACK CONTROL TREATMENT
- J TOPSOIL FURNISH AND PLACE, 6"

APPLICATION (SEE TYP. SECTIONS)	MIXTURE TYPE	AC TYPE	AIR VOIDS
I-55 MAINLINE, EXIST. LANES & INSIDE SHOULDER	POLYMERIZED HOT-MIX ASPHALT SURFACE COURSE, STONE MATRIX ASPHALT	SBS/SBR PG 76-28/22	4% @ N80
I-55 MAINLINE, EXIST. LANES & INSIDE SHOULDER	POLYMERIZED HOT-MIX ASPHALT BINDER COURSE, STONE MATRIX ASPHALT	SBS/SBR PG 76-28/22	4% @ N80
I-55 MAINLINE, NEW INSIDE LANES & SHOULDER	HOT-MIX ASPHALT BASE COURSE (HMA BINDER IL-19.0, MIN. LIFT 2 1/4"); 8"	PG 64-22	4% @ N90
I-55 MAINLINE, NEW INSIDE LANES & SHOULDER (BOTTOM LIFT)	HOT-MIX ASPHALT BASE COURSE (HMA BINDER IL-19.0); 2 1/2"	PG 58-22	4% @ N50
I-55 MAINLINE, EXIST. LANES & FRONTAGE ROADS OVER SEWER LATERALS	CLASS D PATCHES 10" (HMA BINDER IL-25)	PG 64-22	4% @ N105
I-55 MAINLINE, EXIST. LANES	HOT-MIX ASPHALT REPLACEMENT OVER PATCHES (HMA BINDER IL-25)	PG 64-22	4% @ N105
I-55 MAINLINE, EXIST. OUTSIDE SHLD; A.I.S.; TEMPORARY ASPHALT WEDGE;	HOT-MIX ASPHALT SURFACE COURSE, MIX "D", N 70 (IL 9.5 mm)	PG 64-22	4% @ N70
ACCIDENT INVESTIGATION SITES (A.I.S.)	HOT-MIX ASPHALT BASE COURSE (HMA BINDER IL-19); 11 1/2"	PG 64-22 *	4% @ N70

**NOTES:**

- 1) THE UNIT WEIGHT USED TO CALCULATE THE PLAN QUANTITY FOR STONE MATRIX ASPHALT SURFACE COURSE IS 135 LBS/SQ YD/INCH THICKNESS.
- 2) THE UNIT WEIGHT USED TO CALCULATE ALL HOT-MIX ASPHALT SURFACE MIXTURE QUANTITIES IS 112 LBS/SQ YD/INCH THICKNESS.
- \* 3) WHEN RAP EXCEEDS 20%, THE NEW ASPHALT BINDER IN THE MIX SHALL BE PG 58-22.

REVISIONS	
NAME	DATE
DDH	5/15/07

ILLINOIS DEPARTMENT OF TRANSPORTATION  
 I-80 TO BLACK ROAD  
 WIDENING AND RESURFACING

**TYPICAL SECTIONS  
 DETAILS AND BITUMINOUS  
 MIXTURE REQUIREMENTS**

SCALE: N.T.S. DRAWN BY JFS  
 DATE 05/15/07 CHECKED BY DDH

**TENG**  
 TENG & ASSOCIATES, INC.  
 ENGINEERS/ARCHITECTS/PLANNERS  
 CHICAGO, ILLINOIS

PLOT DATE = 5/15/07  
 PLOT SCALE = 1/8"=1'-0"  
 USER NAME = JWS  
 5:14-2007, 15:20:16  
 S:\DOCUMENT\62895\01\CIVIL\CONTRACTOR\62895.SHT  
 5:14-2007, 15:20:16