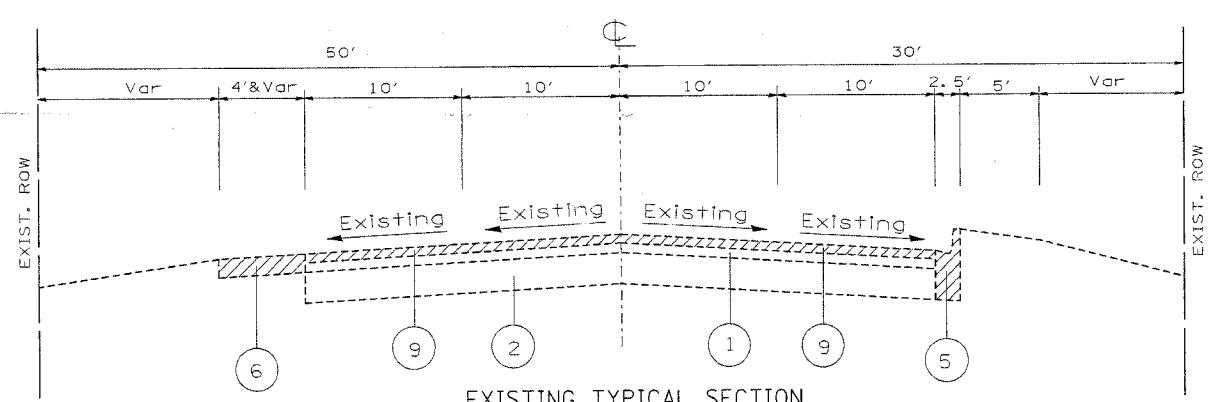


F.A.U. RTE.	SECTION	COUNTY	TOTAL SHEETS	SHEET NO.
2946	3368 A-N	COOK	74	10
STA.		TO STA.		
FED. ROAD DIST. NO. 1		ILLINOIS HIGHWAY PROJECT		

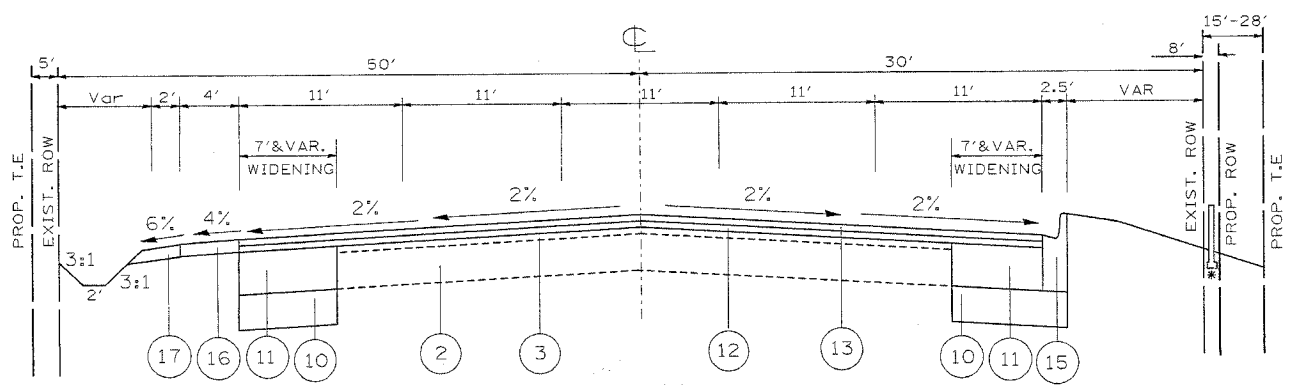
CONTRACT: 62915

**LEGEND**

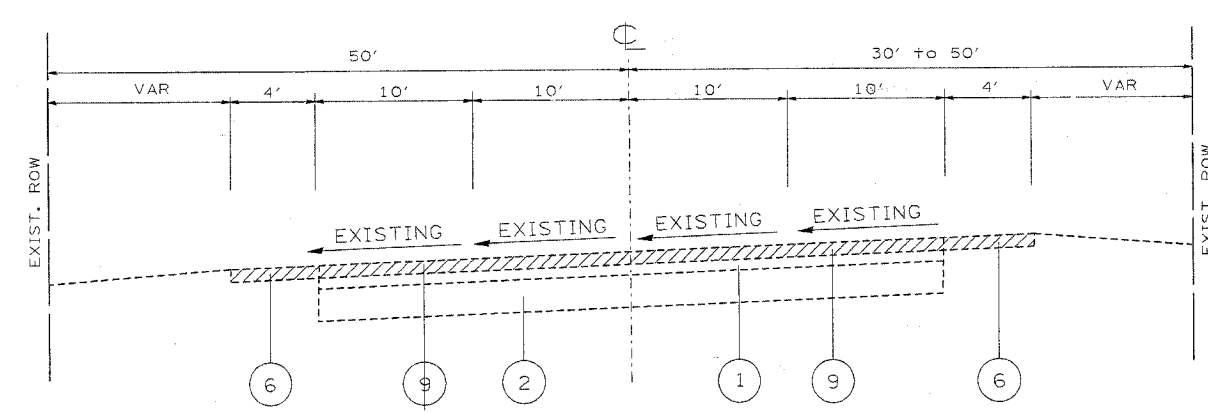
- ① EXISTING HOT-MIX ASPHALT OVERLAY, 5.5" (+/-)
  - ② EXISTING PCC PAVEMENT, 7.5"
  - ③ EXISTING HOT-MIX ASPHALT AFTER MILLING
  - ④ EXISTING CURB, TYPE B
  - ⑤ EXISTING COMBINATION CONCRETE CURB AND GUTTER, TYPE B-6.24
  - ⑥ EXISTING AGGREGATE SHOULDER
  - ⑦ EXISTING SIDEWALK
  - ⑧ EXISTING GUARDRAIL
  - ⑨ PROPOSED HOT-MIX ASPHALT SURFACE REMOVAL, 2 1/2"
  - ⑩ PROPOSED AGGREGATE SUBGRADE, 12"
  - ⑪ PROPOSED HOT-MIX ASPHALT BASE COURSE WIDENING, 9 1/2"
  - ⑫ PROPOSED POLYMERIZED LEVELING BINDER (MM), IL-4.75, N50, 1" MIN AND VARIES TO 7"
  - ⑬ PROPOSED HOT-MIX ASPHALT SURFACE COURSE, MIX "D", N70, 1.5"
  - ⑭ PROPOSED COMBINATION CONCRETE CURB AND GUTTER, TYPE B-6.18
  - ⑮ PROPOSED COMBINATION CONCRETE CURB AND GUTTER, TYPE B-6.24
  - ⑯ PROPOSED HOT-MIX ASPHALT SHOULDER, 8"
  - ⑰ PROPOSED AGGREGATE SHOULDER, TYPE B, 6"
  - ⑱ PROPOSED PCC SIDEWALK, 5"
- ▨ DENOTES REMOVAL



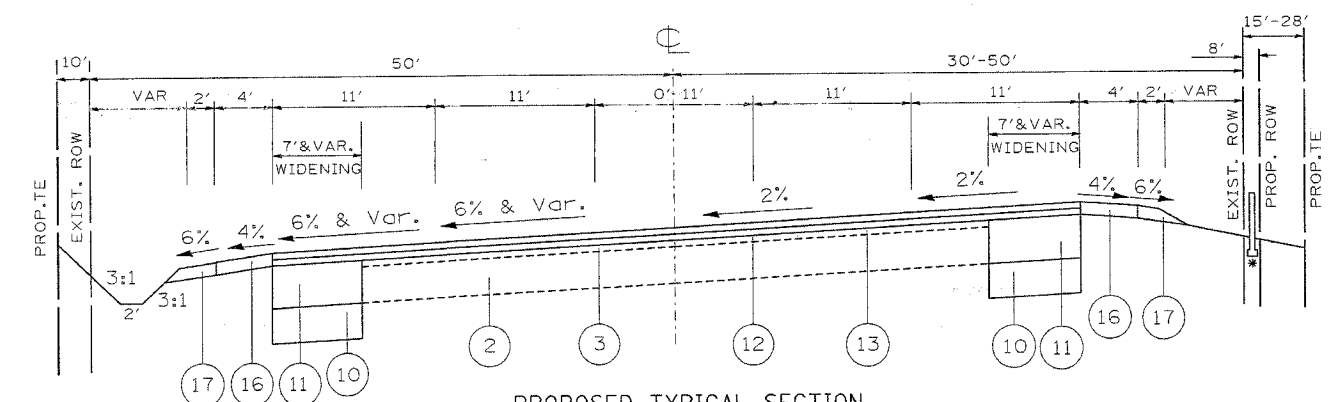
EXISTING TYPICAL SECTION  
RIVER OAKS DRIVE  
STA 215+20 TO STA 217+85



PROPOSED TYPICAL SECTION  
RIVER OAKS DRIVE  
STA 215+20 TO STA 217+85



EXISTING TYPICAL SECTION  
RIVER OAKS DRIVE  
STA 217+85 TO STA 224+56



PROPOSED TYPICAL SECTION  
RIVER OAKS DRIVE  
STA 217+85 TO STA 224+56

\* PROPOSED RETAINING WALL FROM STA 217+79 TO STA 219+8

REVISIONS		ILLINOIS DEPARTMENT OF TRANSPORTATION
NAME	DATE	
		RIVER OAKS DRIVE TYPICAL SECTIONS

SCALE: VERT. NONE  
HORIZ. DATE 3/26/2007

DRAWN BY  
CHECKED BY