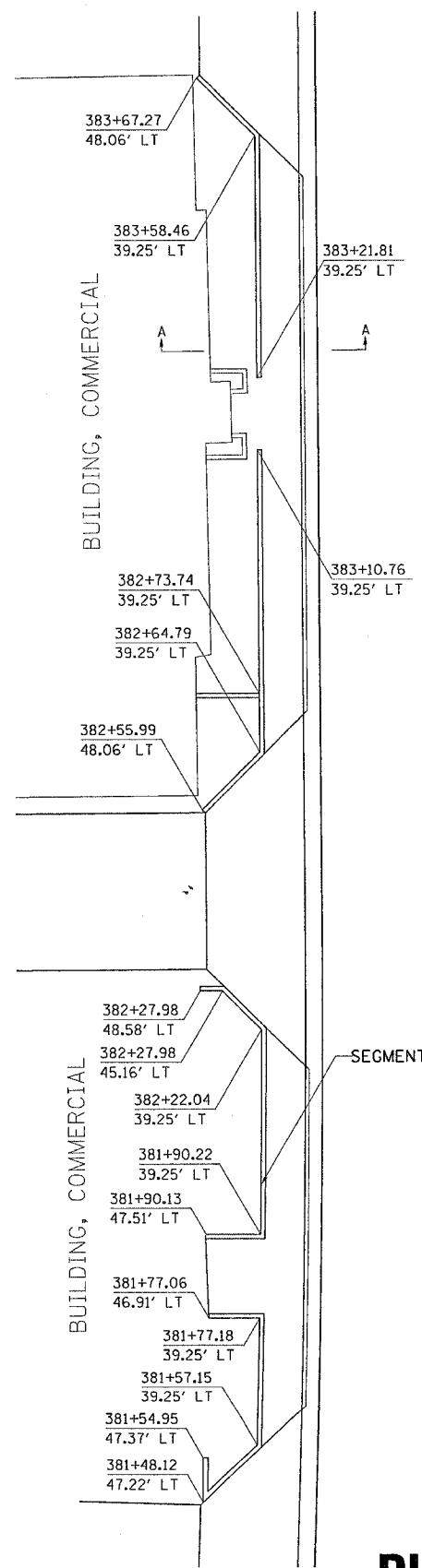
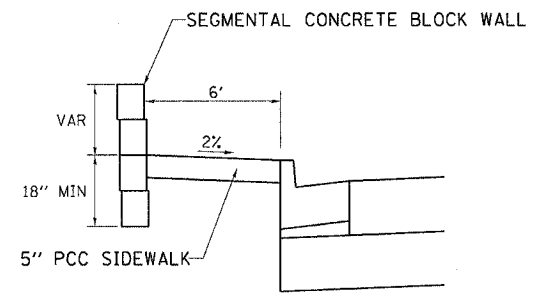


F.A.P. RTE.	SECTION	COUNTY	TOTAL SHEETS	SHEET NO.
734	4(MFT)R	WINNEBAGO	353	266
STA.		TO STA.		
FED. ROAD DIST. NO.		ILLINOIS FED. AID PROJECT		

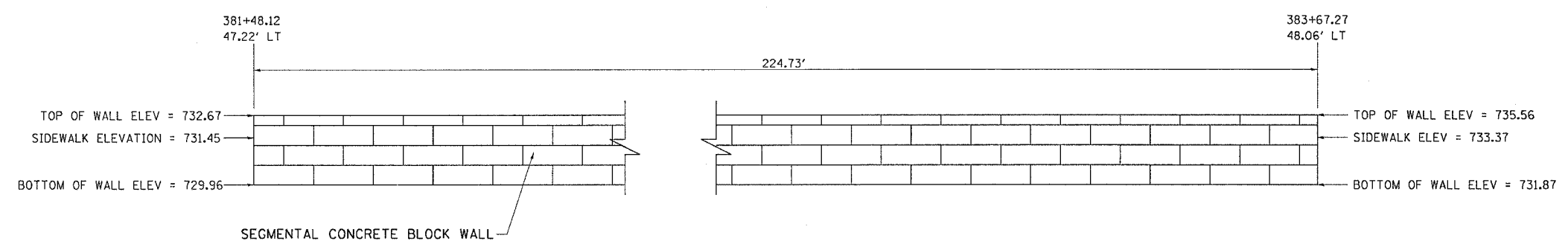
SEGMENTAL CONCRETE BLOCK WALL LT STA 381 + 48.12 TO LT STA 383 + 67.27



PLAN



SECTION A-A



ELEVATION

NOTES:
 DIMENSIONS WILL VARY DEPENDING ON WHICH TYPE OF BLOCK IS USED.
 THIS WORK SHALL BE PAID FOR AT THE CONTRACT PRICE PER SQUARE FOOT FOR:
 SEGMENTAL CONCRETE BLOCK WALL.
 SEE SPECIAL PROVISIONS FOR OTHER DETAILS.

REVISIONS		ILLINOIS DEPARTMENT OF TRANSPORTATION
NAME	DATE	
		SCALE: VERT. HORIZ. DATE
DRAWN BY		CHECKED BY

PLOT DATE = Fri, Apr 27 15:23:00 2007
 FILE NAME = C:\Users\j... \Public\12218590\116688.dgn
 PLOT SCALE = 5/8"=1'-0"
 USER NAME = j...