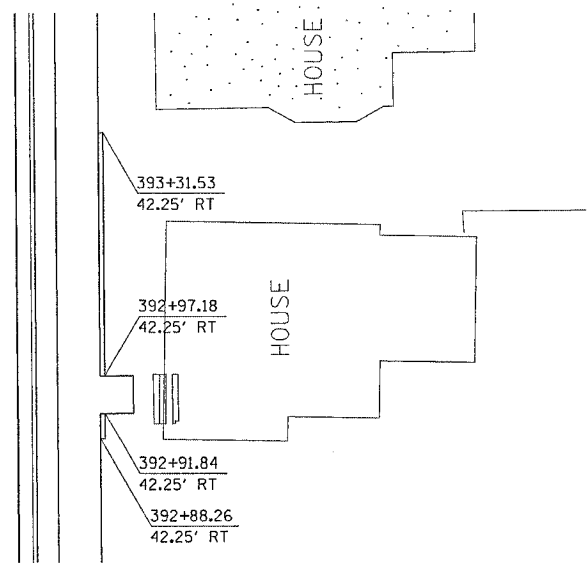
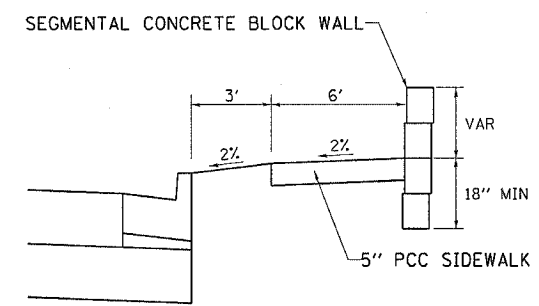


F.A.P. RTE.	SECTION	COUNTY	TOTAL SHEETS	SHEET NO.
734	40MTJR	WINNEBAGO	353	269
STA.		TO STA.		
FED. ROAD DIST. NO.		ILLINOIS	FED. AID PROJECT	

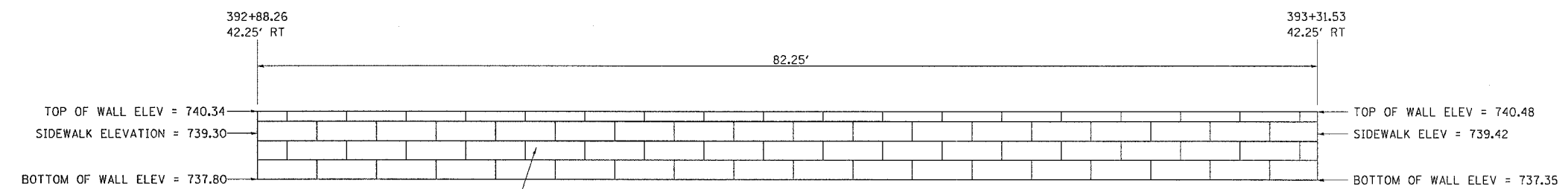
SEGMENTAL CONCRETE BLOCK WALL RT STA 392+88.26 TO RT STA 393+31.53



PLAN



SECTION A-A



ELEVATION

NOTES:
 DIMENSIONS WILL VARY DEPENDING ON WHICH TYPE OF BLOCK IS USED.
 THIS WORK SHALL BE PAID FOR AT THE CONTRACT PRICE PER SQUARE FOOT FOR:
 SEGMENTAL CONCRETE BLOCK WALL.
 SEE SPECIAL PROVISIONS FOR OTHER DETAILS.

REVISIONS		ILLINOIS DEPARTMENT OF TRANSPORTATION
NAME	DATE	
		SCALE: VERT. HORIZ. DATE

DRAWN BY
CHECKED BY

SEGMENTAL CONCRETE BLOCK WALL

PLOT DATE = Fri Apr 27 15:23:05 2007
 FILE NAME = c:\projects\1021859\1021859.dgn
 USER NAME = drcant