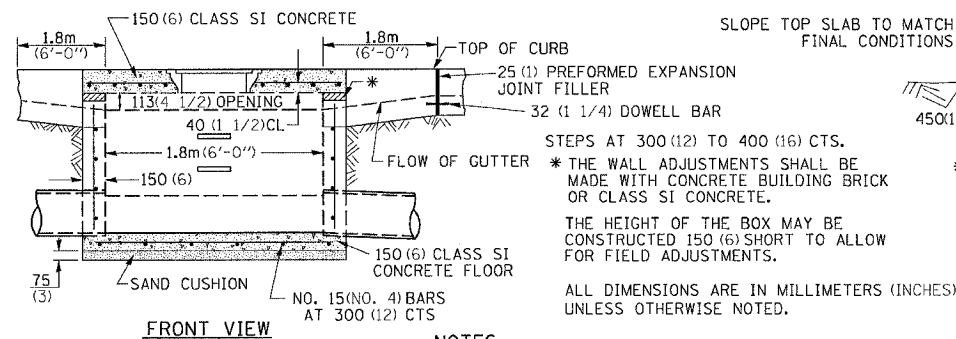


F.A.P. RTE.	SECTION	COUNTY	TOTAL SHEETS	SHEET NO.
734	(4MFT)R	WINNEBAGO	353	272
STA.		TO STA.		
FED. ROAD DIST. NO.		ILLINOIS	FED. AID PROJECT	

INLET SPECIAL NO. 3



NOTES

SEE STANDARD 602701 FOR DETAILS OF STEPS.
 25 (1) PREFORMED EXPANSION JOINTS AS SHOWN SHALL BE PROVIDED ON EACH SIDE OF INLET.
 CLASS SI CONCRETE OR PRECAST CONCRETE SHALL BE USED THROUGHOUT.
 THE SIDE WALLS MAY BE BUILT AS PRECAST SEGMENTAL SECTIONS.
 REINFORCEMENT FOR INLET-SPECIAL #3 SHALL BE ACCORDING TO DISTRICT STANDARD 79.4e

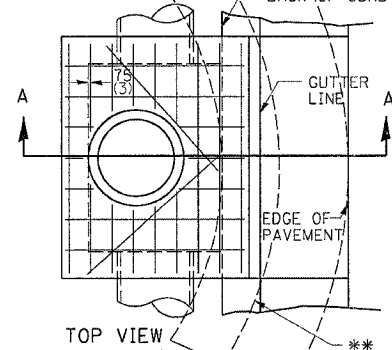
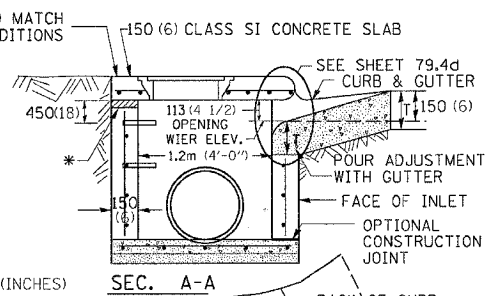
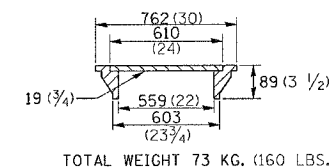
STEPS SHALL BE OMITTED WHEN DEPTH OF INLET IS LESS THAN 1.5 m (5 ft.).
 THE INLET SHALL BE CAST IN PLACE OR PRECAST.

EXCEPT AS NOTED HEREON INLET SPECIAL NO. 3 SHALL BE CONSTRUCTED IN ACCORDANCE WITH SECTION 602 OF THE STANDARD SPECIFICATIONS.

THE CONTRACT UNIT PRICE EACH FOR INLET SPECIAL NO. 3 SHALL INCLUDE THE COST OF FURNISHING AND INSTALLING THE FRAME, LID, REINFORCEMENT BARS, FLOOR AND TOP SLABS, CAST IRON STEPS (IF USED).

THE CURB AND GUTTER WILL BE PAID FOR SEPARATELY AND WILL BE MEASURED THROUGH THE INLET.

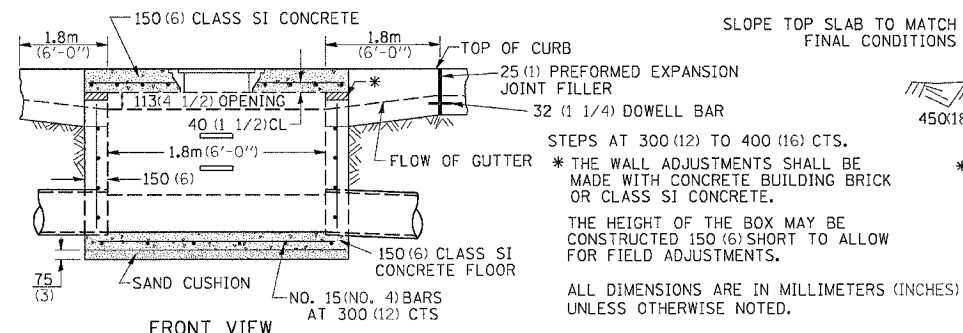
THE CURB AND GUTTER ADJACENT TO AND 1.8m (6 FT.) ON EITHER SIDE OF THE INLET SHALL BE CONSTRUCTED AS SHOWN WITH NO ADDITIONAL COMPENSATION FOR THE TRANSITION.



INLET SPECIAL NO. 3 79.4

REVISED 4-4-05

INLET SPECIAL NO. 5



NOTES

SEE STANDARD 602701 FOR DETAILS OF STEPS.
 25 (1) PREFORMED EXPANSION JOINTS AS SHOWN SHALL BE PROVIDED ON EACH SIDE OF INLET.
 CLASS SI CONCRETE OR PRECAST CONCRETE SHALL BE USED THROUGHOUT.
 THE SIDE WALLS MAY BE BUILT AS PRECAST SEGMENTAL SECTIONS.
 REINFORCEMENT FOR INLET SPECIAL NO. 5 SHALL BE ACCORDING TO DISTRICT STANDARD 79.4e

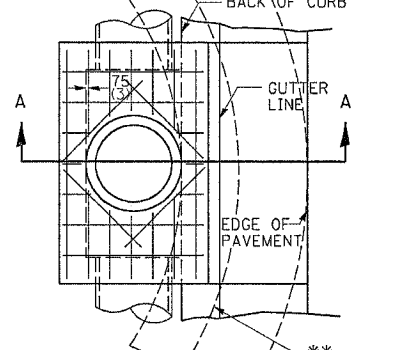
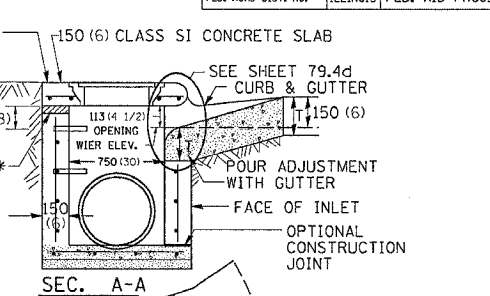
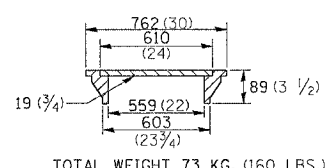
STEPS SHALL BE OMITTED WHEN DEPTH OF INLET IS LESS THAN 1.5 m (5 ft.).
 THE INLET SHALL BE CAST IN PLACE OR PRECAST.

EXCEPT AS NOTED HEREON INLET SPECIAL NO. 5 SHALL BE CONSTRUCTED IN ACCORDANCE WITH SECTION 602 OF THE STANDARD SPECIFICATIONS.

THE CONTRACT UNIT PRICE EACH FOR INLET SPECIAL NO. 5 SHALL INCLUDE THE COST OF FURNISHING AND INSTALLING THE FRAME, LID, REINFORCEMENT BARS, FLOOR AND TOP SLABS, CAST IRON STEPS (IF USED).

THE CURB AND GUTTER WILL BE PAID FOR SEPARATELY AND WILL BE MEASURED THROUGH THE INLET.

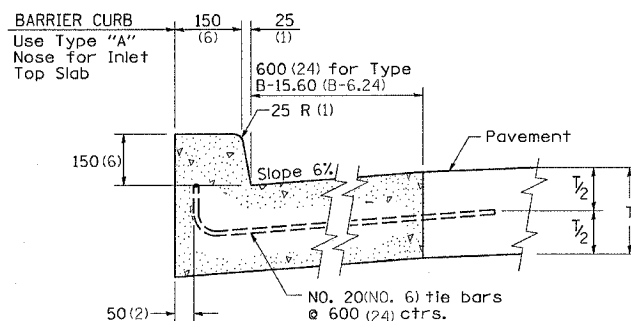
THE CURB AND GUTTER ADJACENT TO AND 1.8m (6 FT.) ON EITHER SIDE OF THE INLET SHALL BE CONSTRUCTED AS SHOWN WITH NO ADDITIONAL COMPENSATION FOR THE TRANSITION.



INLET SPECIAL NO. 5 79.4b

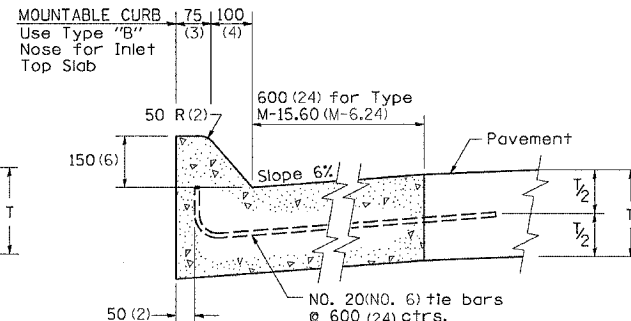
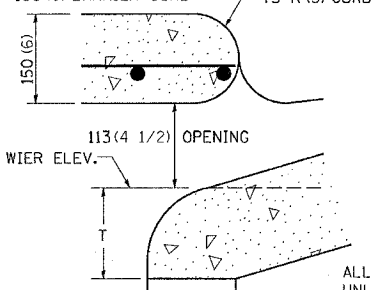
REVISED 4-4-05

NOSE TYPE FOR INLET TOP SLAB



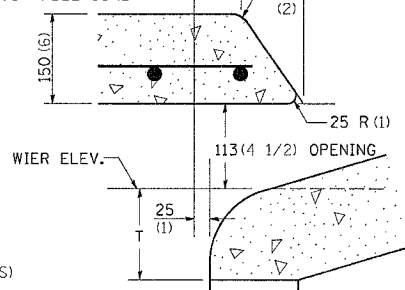
TYPE "A"

TO BE USED ON EXISTING OR PROPOSED 150 (6) BARRIER CURB



TYPE "B"

TO BE USED ON PROPOSED 150 (6) MOUNTABLE CURB



ALL DIMENSIONS ARE IN MILLIMETERS (INCHES) UNLESS OTHERWISE NOTED.

NOSE TYPE FOR INLET TOP SLAB 79.4d

REVISED 2-14-95

PLOT DATE = Thu May 17 09:05:14 2007
 FILE NAME = c:\p26599\016599.dgn
 PLOT SCALE = 23.48000 X 1 IN.
 REFERENCE = REF#