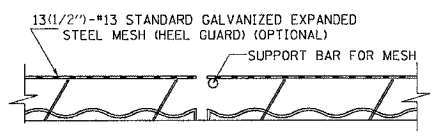
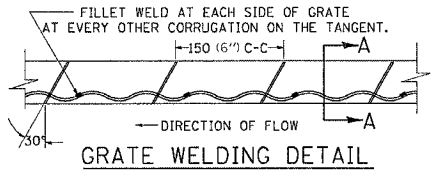
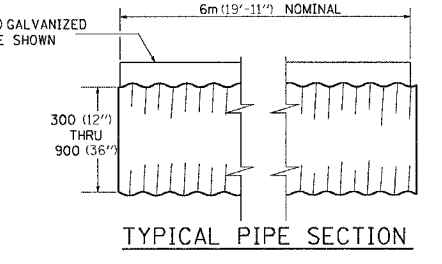
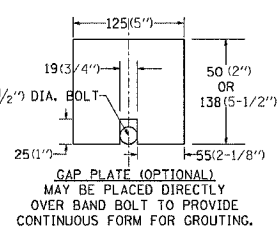
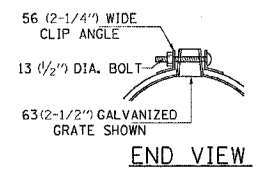
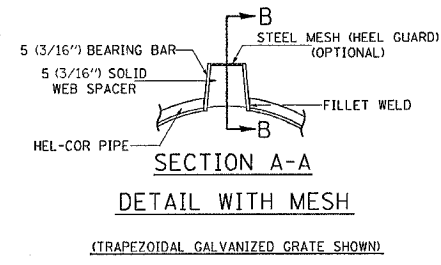
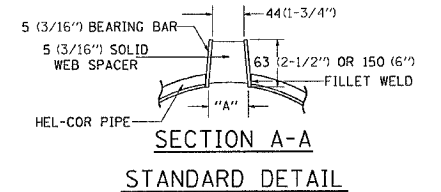
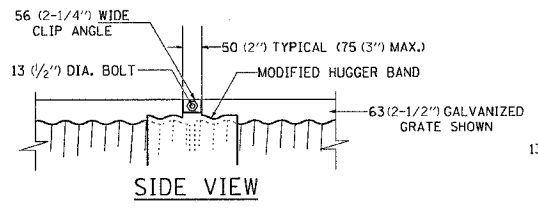
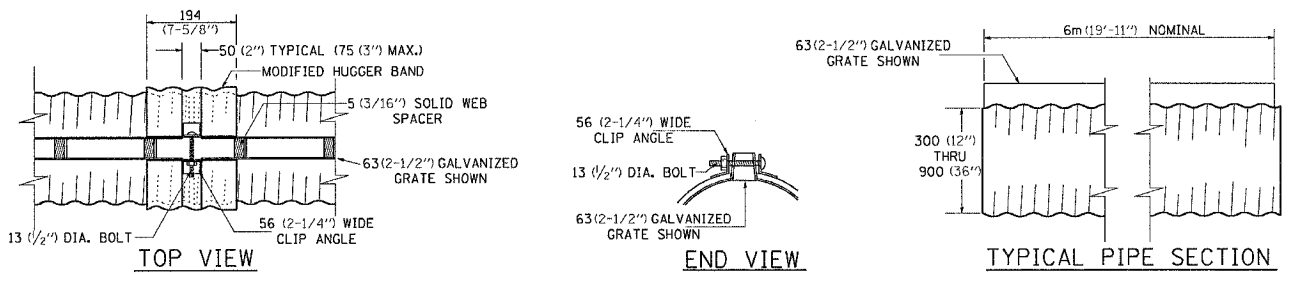


F.A.P. RTE.	SECTION	COUNTY	TOTAL SHEETS	SHEET NO.
734	(4MFT)R	WINNEBAGO	353	278
STA.	TO STA.			
FED. ROAD DIST. NO.	ILLINOIS	FED. AID PROJECT		

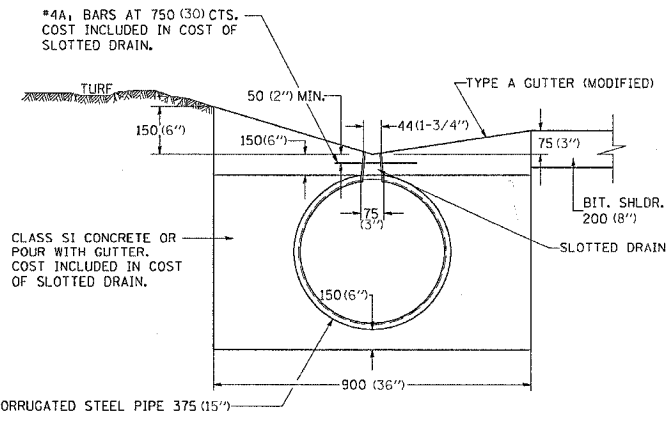
SLOTTED DRAIN PIPE



GAGE OF PIPE	STANDARD SIZES					
	300 (12')	375 (15')	450 (18')	600 (24')	750 (30')	900 (36')
16	X	X	X	X	X	X
14	X	X	X	X	X	X
12	N.A.	N.A.	N.A.	N.A.	X	X

GRATE TYPE	"A"
VERT 63(2-1/2'')	44(1-3/4'')
VERT 150(6'')	44(1-3/4'')
TRAP 63(2-1/2'')	56(2-1/4'')
TRAP 150(6'')	75(3'')

- SLOTTED DRAIN NOTES**
- GRATING IS AVAILABLE IN DEPTHS OF 63(2-1/2'') AND 150(6'').
 - VERTICAL GRATING (STRAIGHT SIDES) WITH VERTICAL SPACERS IS ALSO AVAILABLE.
 - FOR 150(6'') VERTICAL & TRAPZOIDAL REQUIREMENTS, THE SLOTTED DRAIN BAND MAY BE FURNISHED WITH THE 100(4'') TECHCO BAND ANGLE.
 - DIMENSIONS ARE SUBJECT TO MANUFACTURING TOLERANCES.
 - REFERENCE CONTECH BAND MANUAL DWG. NO. 1008466 FOR BAND DETAILS.



NOTES

CLASS SI CONCRETE SHALL BE USED THROUGHOUT.

THE SLOTTED DRAIN SHALL BE CORRUGATED PIPE CULVERT WITH INTEGRAL SLOTTED DRAINS. BEFORE PLACING THE CONCRETE ADJACENT TO THE PIPE, THE SLOT SHALL BE COVERED BY EITHER THIN, FLAT METAL SHEETING OR BY A BOARD NOTCHED TO FIT OVER THE GRATE BARS. THIS COVERING MUST FIT CLOSELY IN THE SLOT TO PREVENT ENTRY OF CONCRETE INTO THE PIPE. PAVING OVER THE SLOTTED DRAIN WILL THEN BE ONE CONTINUOUS OPERATION OVER THE PROTECTED DRAIN. THE PROTECTION FOR THE DRAIN SLOT SHALL THEN BE REMOVED. THE PIPE SHALL DRAIN INTO THE SIDE OF THE INLET. THE OPENING WHERE THE SLOT IS REMOVED SHALL BE COVERED TO PREVENT CONCRETE FROM ENTERING THE PIPE.

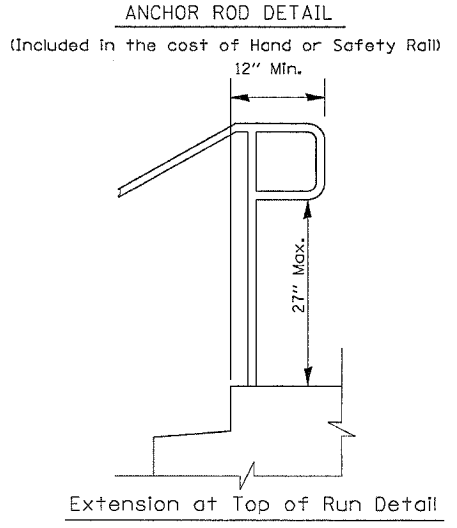
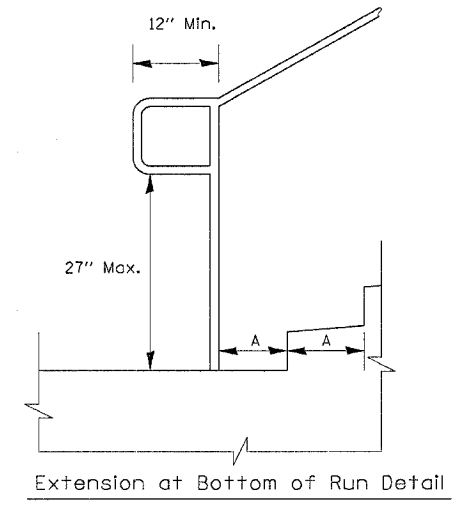
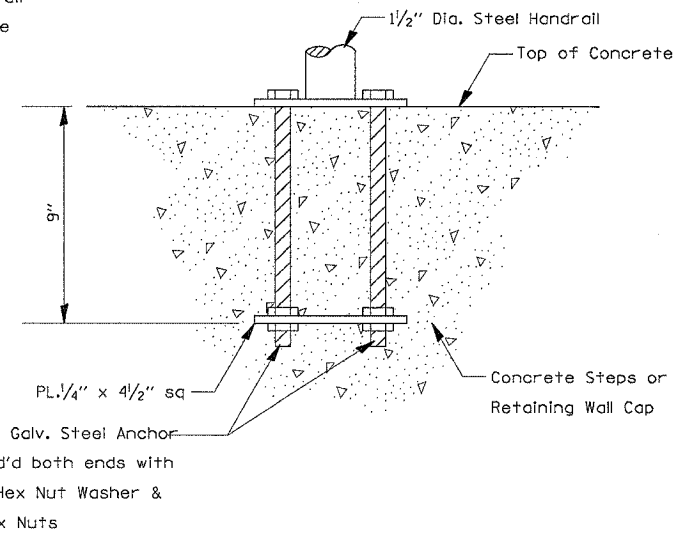
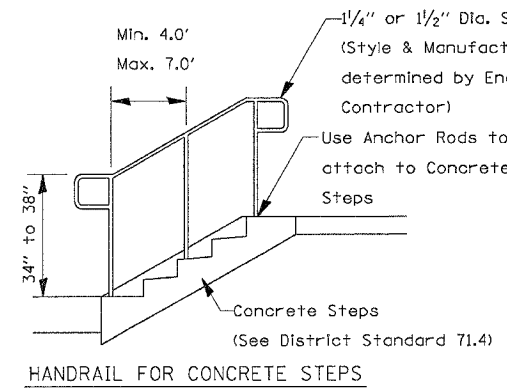
THE CORRUGATED STEEL PIPE USED IN THE SLOTTED DRAIN SHALL MEET THE REQUIREMENTS OF AASHTO M-36/ASTM A 760. THE CMP SHALL BE GALVANIZED OR ALUMINIZED STEEL TYPE 2. STEEL GRATING SHALL MEET THE GALVANIZING REQUIREMENTS OF AASHTO M-111. THIS WORK WILL BE PAID FOR AT THE CONTRACT UNIT PRICE PER FOOT FOR SLOTTED DRAIN PIPE, AND SHALL INCLUDE ELBOWS, DRILLING HOLES IN GRATING, SUPPLYING AND PLACING A1 BARS AND CONCRETE.

USE APPROVED END CAP TO PREVENT CONCRETE ENTRY INTO THE PIPE DURING GUTTER CONSTRUCTION ON THE UPSTREAM END OF PIPE.

ANY BENDS, ELBOWS, TEES, OR FITTINGS NEEDED TO CONNECT SLOTTED DRAIN PIPE TO DRAINAGE STRUCTURE/SYSTEM SHALL BE INCLUDED IN THE COST OF SLOTTED DRAIN PAY ITEMS.

ALL DIMENSIONS ARE IN MILLIMETERS (INCHES) UNLESS OTHERWISE NOTED.

PIPE HANDRAILS FOR STEPS



Notes:

Stairways shall have continuous handrails both sides of all stairs.

The inside handrail on switchback or dogleg stairs shall always be continuous.

Gripping surfaces shall be uninterrupted by newel posts, other construction elements, or obstructions.

Ends of handrail shall be either rounded or returned smoothly to floor, wall, or post.

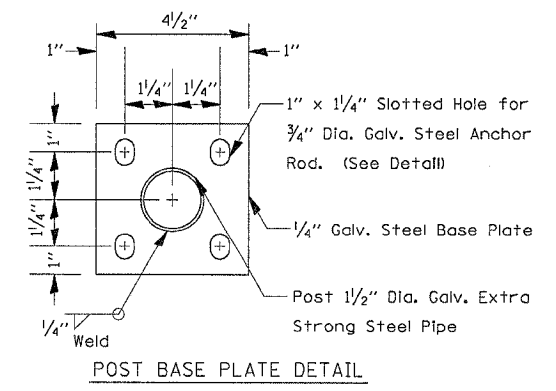
Hand & safety rails shall not rotate within their fittings.

The clear space between handrails and any wall shall be 11/2"

Handrail shall conform to Section 509 with the exception that all pipe and connections shall be welded galvanized or aluminum according to Article 1006.30, or 1006.34.

The diameter of the gripping surface of the handrail shall be 1-1/4" to 1-1/2"

This work shall be paid for at the contract unit price per meter (foot) for PIPE HANDRAIL.



(Included in the cost of Hand or Safety Rail)

PLOT DATE = The May 17 06:08:14 2007
 PLOT SCALE = 3/8" = 1'-0"
 PLOT SIZE = 24" x 36"
 REFERENCE = #REF#