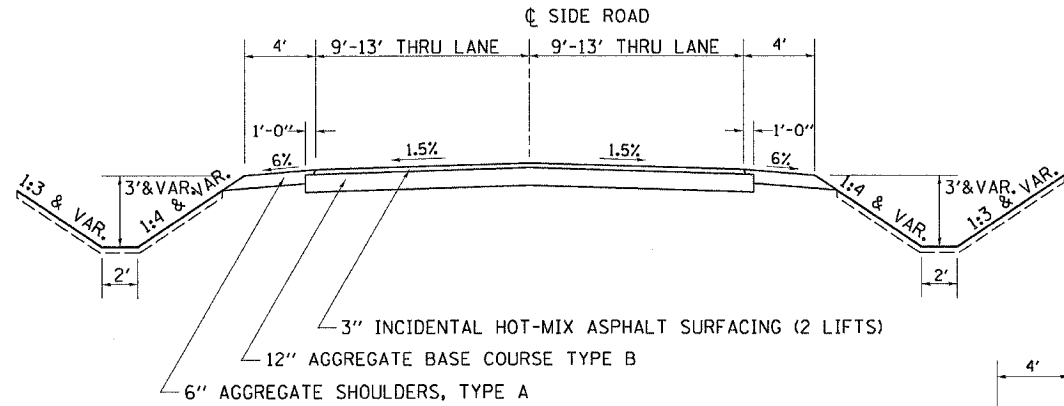


F.A.P. RTE.	SECTION	COUNTY	TOTAL SHEETS	SHEET NO.
*	**	CARROLL	548	21
STA.		TO STA.		
FED. ROAD DIST. NO.		ILLINOIS	FED. AID PROJECT	
* ROUTE 17 (US 52 / IL 64)				
** (1,2)RS & (3,1) RS-1				

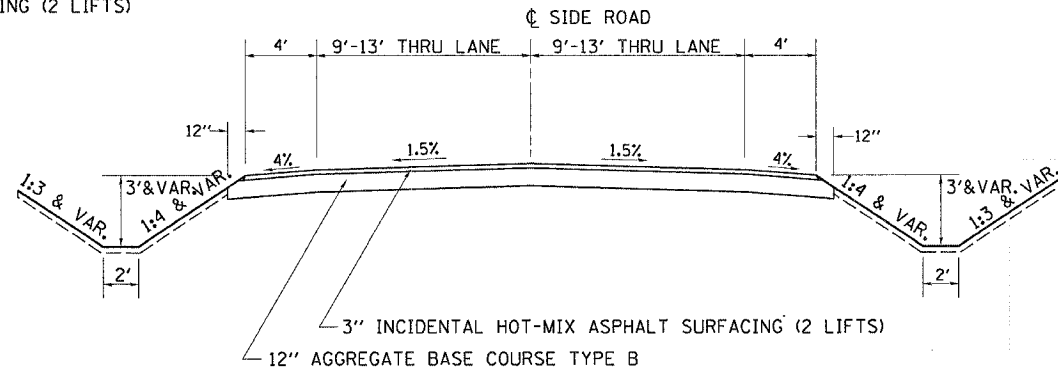
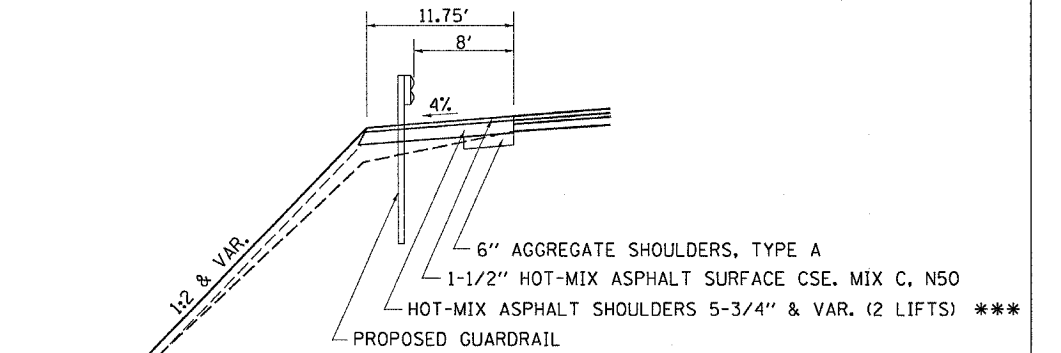
# TYPICAL SECTIONS

OIL VALLEY SCHOOL RD. STA. 1103+55.00 TO STA. 1106+99.18  
 BENTON ST. STA. 1601+12.98 TO 1604+75.00



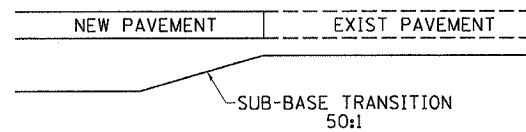
SCENIC BLUFF RD.  
 DAUPHIN RD.  
 ROBERTS RD.  
 JACOBSTOWN RD.  
 BECKER RD.  
 SEVEN HILLS RD.  
 PRESTON RD.  
 OIL VALLEY SCHOOL RD.  
 OLD 52W  
 MILL RD.  
 OLD 52E \*  
 JACKSON ST.  
 EAST ST.  
 BENTON ST.

GUARDRAIL TYPICAL (VAR. LOCATIONS)

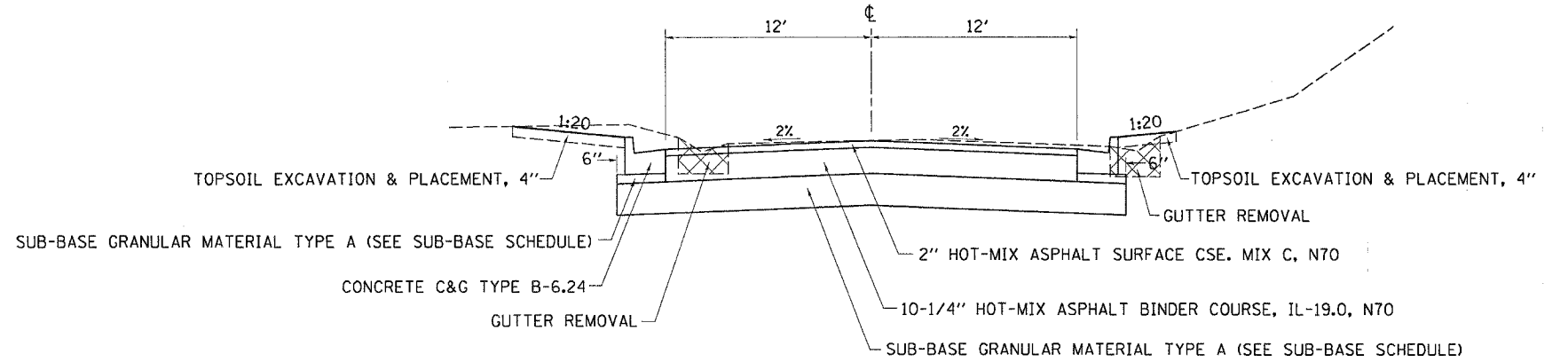


- \* 1.5" INCIDENTAL HOT-MIX ASPHALT SURFACING (3 LIFTS)
- \*\* COST INCLUDED IN HOT MIX ASPHALT SHOULDER
- \*\*\* FOR VARIABLE DEPTH HOT-MIX ASPHALT SHOULDER SEE LOCATIONS IN BITUMINOUS SCHEDULE UNDER HOT-MIX ASPHALT SHOULDER (TON)

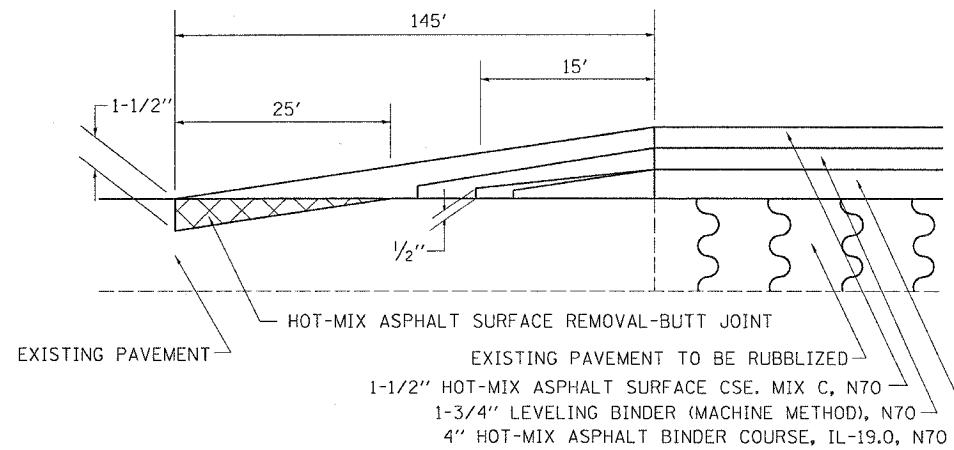
SUB-BASE TRANSITION DETAIL



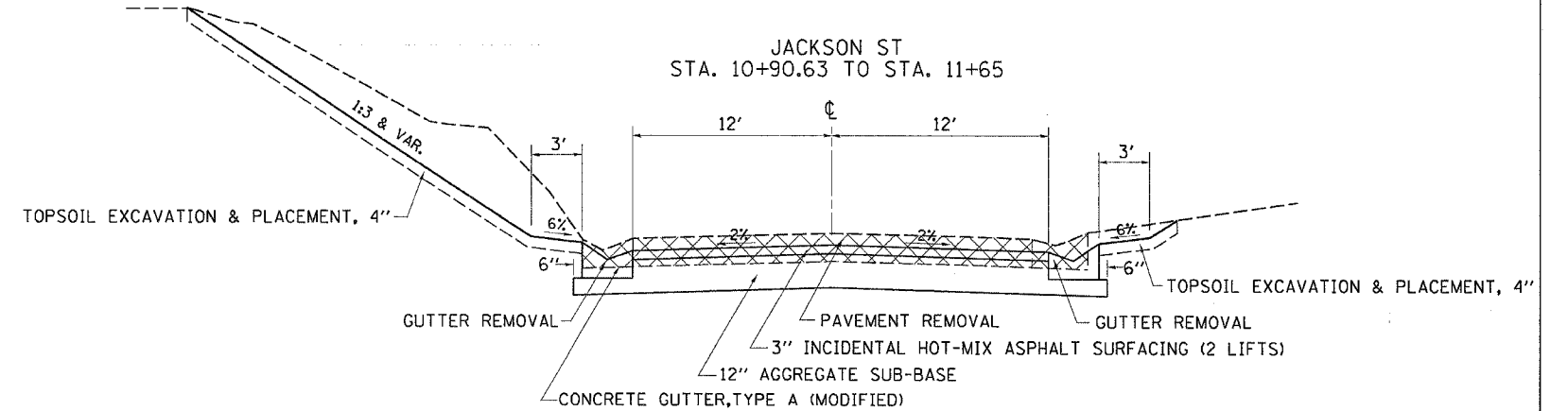
COMMERCIAL ST. (WEST)  
 STA. 58+39.85 TO STA. 58+99.78  
 COMMERCIAL ST. (EAST)  
 STA. 60+85.01 TO STA. 61+20



HMA SURFACE REMOVAL-BUTT JOINT TYPICAL



JACKSON ST  
 STA. 10+90.63 TO STA. 11+65



\*\* COST TO BE INCLUDED IN COST OF CONCRETE C&G TYPE B-6.24

PLOT DATE = Fri, Mar 23 10:33:59 2007  
 PLOT FILE = c:\p\projects\10277480\10277480.dgn  
 PLOT SCALE = 1/8" = 1'-0"  
 USER NAME = harscoke