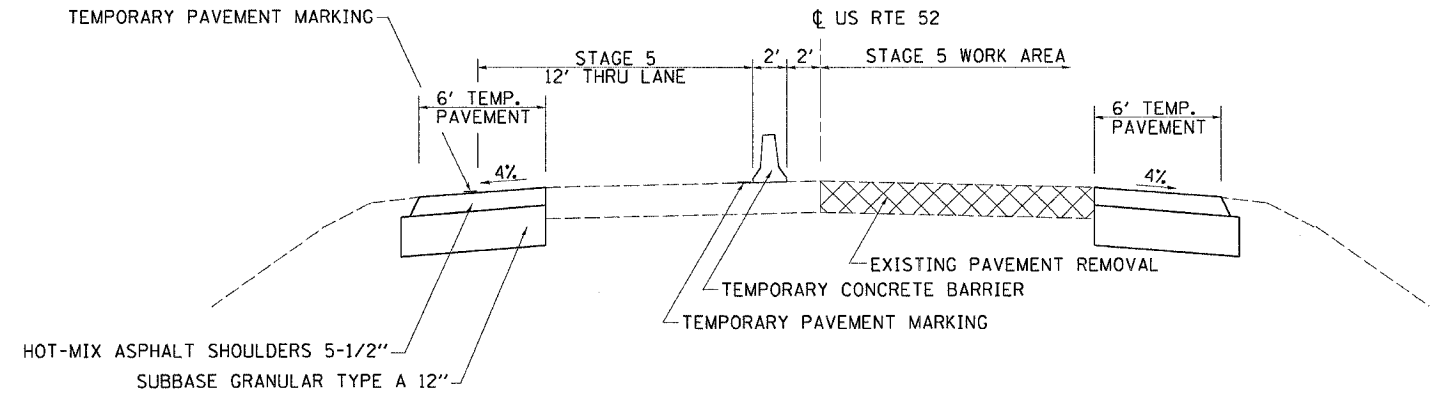


F.A.P. RTE.	SECTION	COUNTY	TOTAL SHEETS	SHEET NO.
*	**	CARROLL	548	22
STA.		TO STA.		
FED. ROAD DIST. NO.		ILLINOIS FED. AID PROJECT		
* ROUTE 17 (US 52 / IL 64)				
** (1,2)RS & (3,1) RS-1				

STAGING TYPICAL SECTIONS

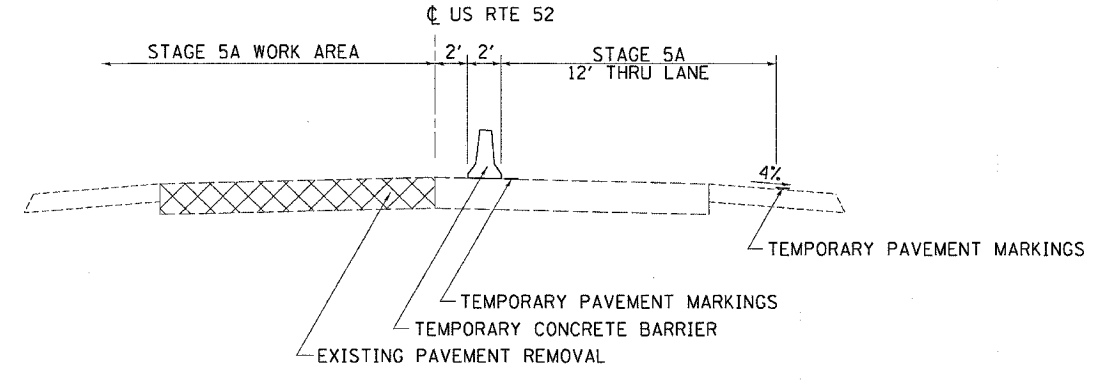
STAGE 5

US 52
STA. 529+00 TO STA. 536+00



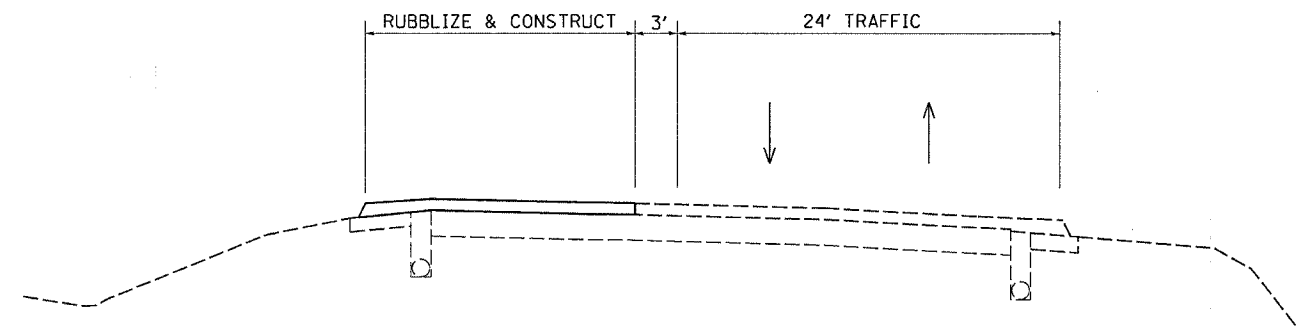
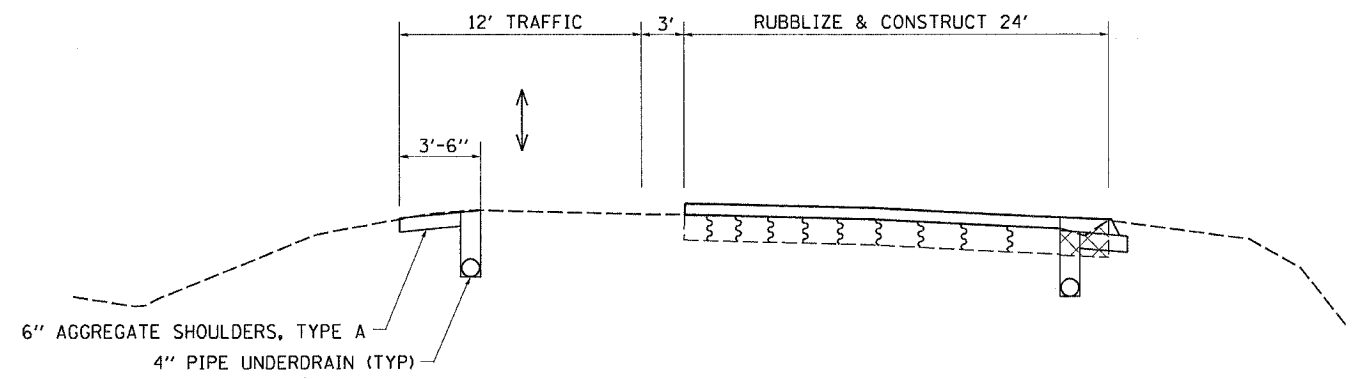
STAGE 5A

US 52
STA. 529+00 TO STA. 536+00



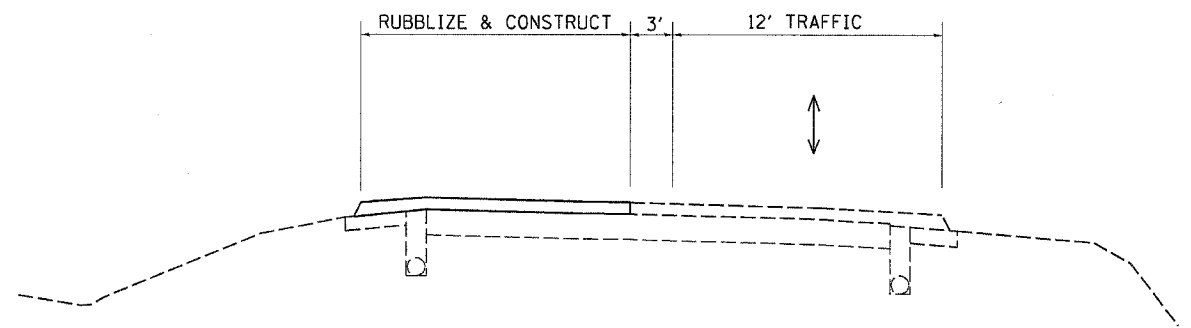
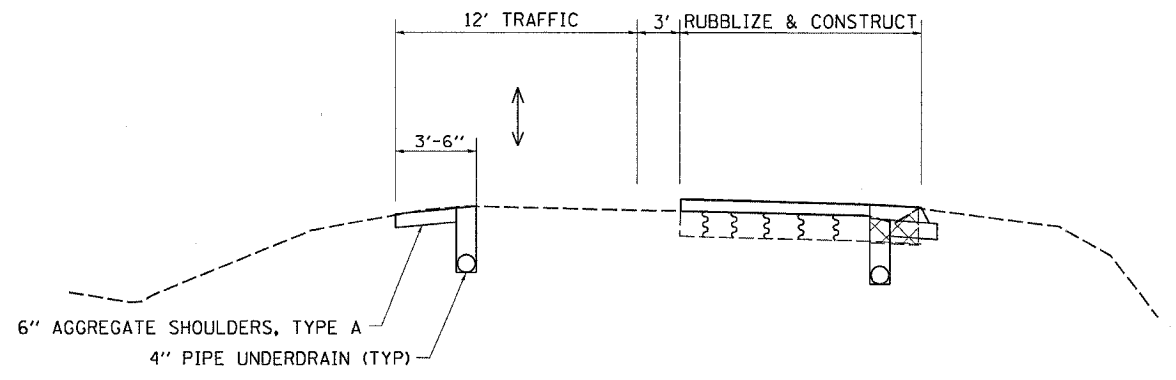
SEQUENCE OF WORK IN CLIMBING LANES

STAGE 1



SEQUENCE OF WORK IN 2 LANE SECTION

STAGE 1



PLOT DATE = Fri Mar 23 10:53:48 2007
FILE NAME = c:\p\projects\2007\1020\1020.dwg
PLOT SCALE = 1/8" = 1'-0"
USER NAME = hennicke