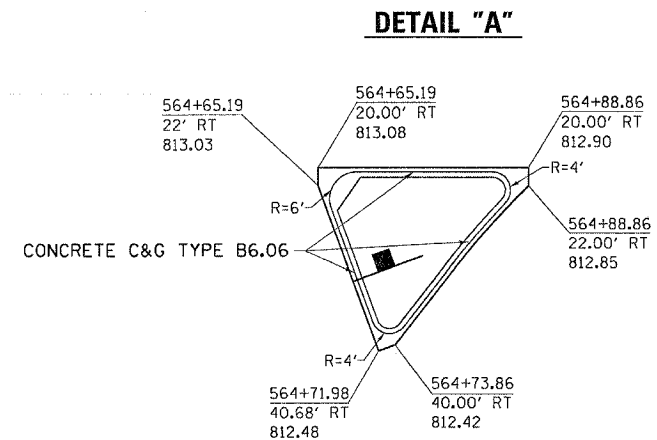
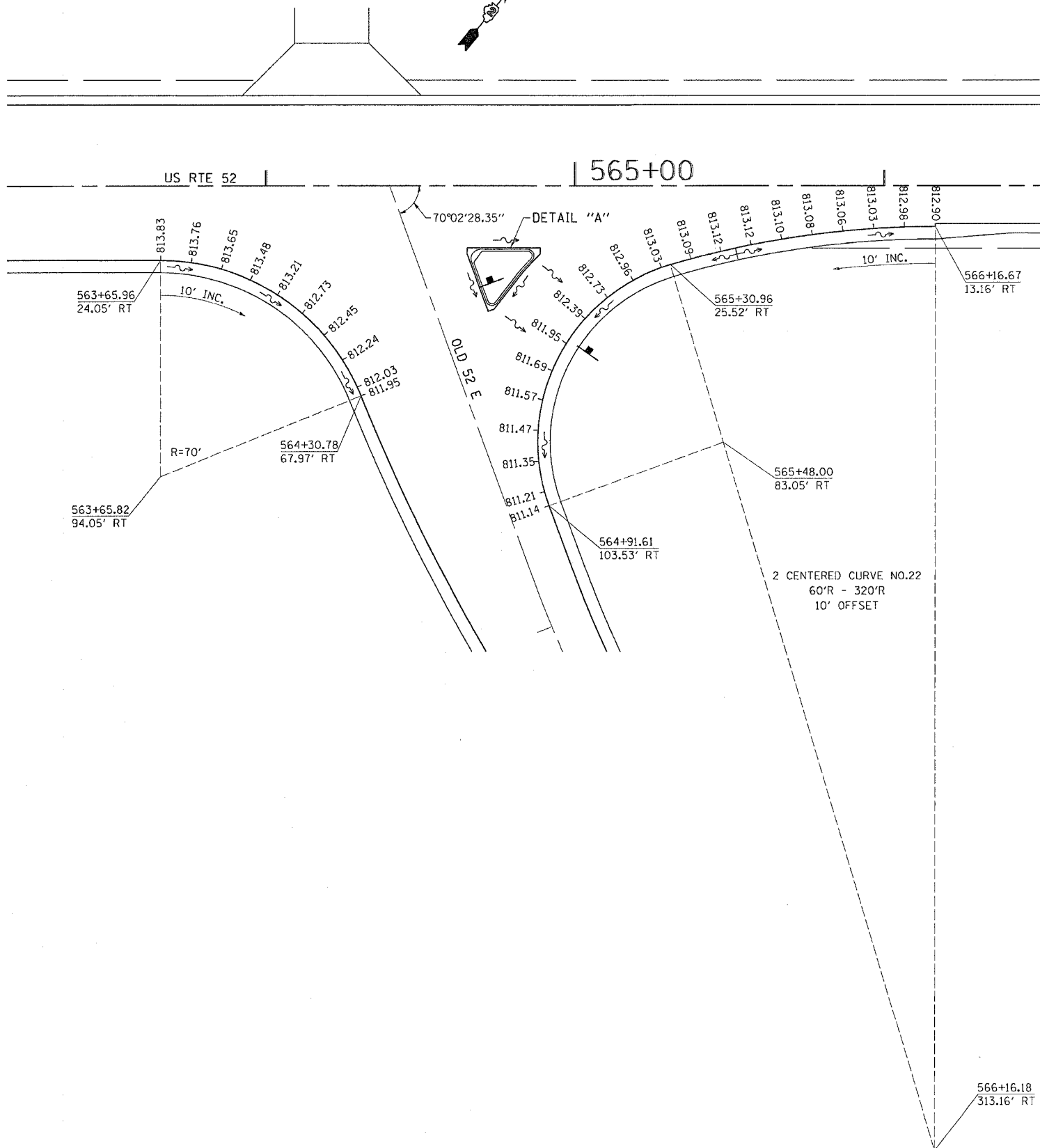


F.A.P. RTE.	SECTION	COUNTY	TOTAL SHEETS	SHEET NO.
*	**	CARROLL	548	160
STA.		TO STA.		
FED. ROAD DIST. NO.		ILLINOIS FED. AID PROJECT		
* ROUTE 17 (US 52 / IL 64)				
** (1-2)RS & (3-1)RS-1				

PAVEMENT ELEVATIONS



PLOT DATE = Fri Mar 23 09:56:26 2007
FILE NAME = c:\prowork\p207480\p207480.dgn
USER NAME = harsanyi

REVISIONS	
NAME	DATE

ILLINOIS DEPARTMENT OF TRANSPORTATION

SCALE: VERT.
HORIZ.

DATE

DRAWN BY
CHECKED BY