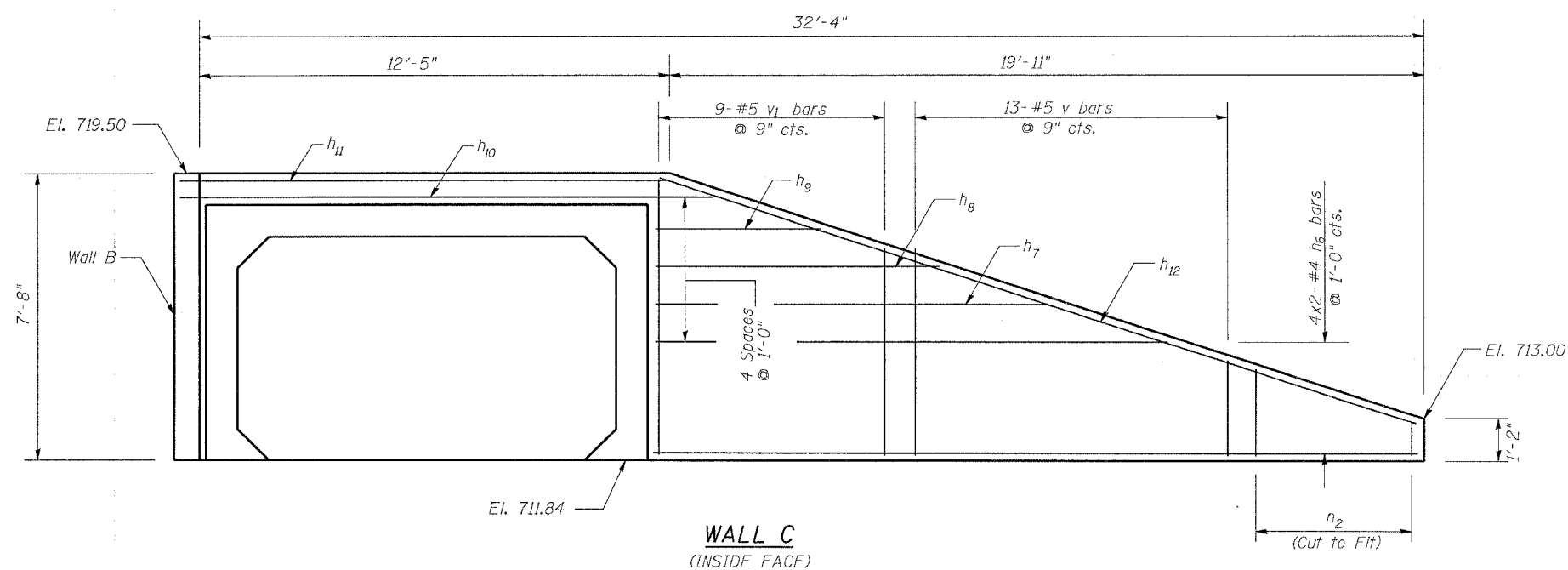
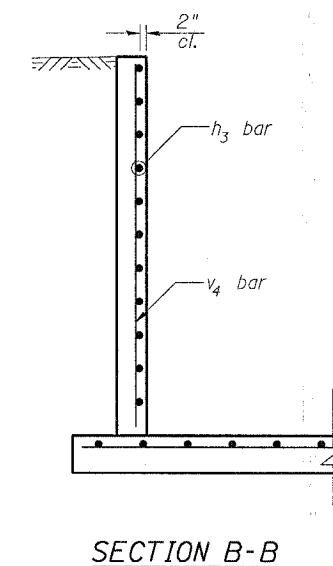
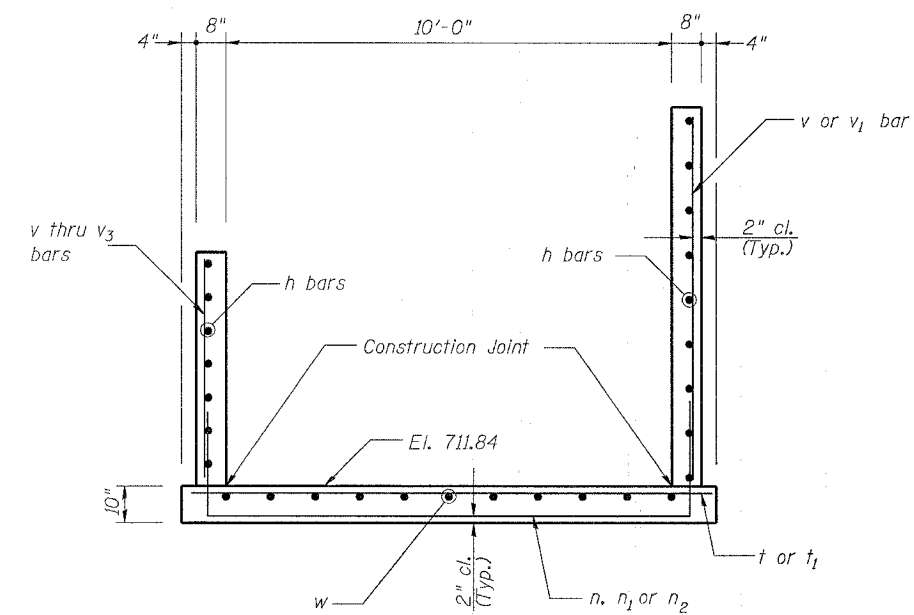
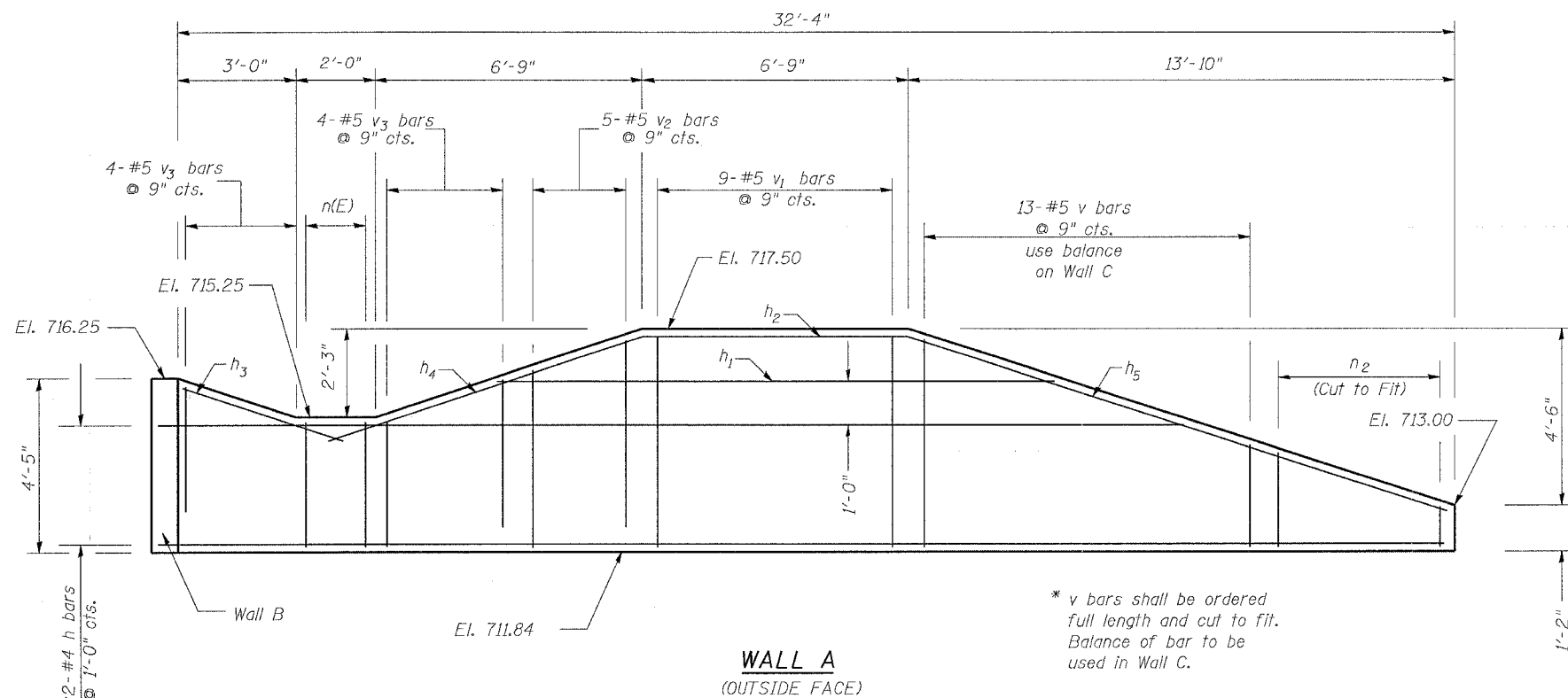


CONTRACT NO. 64560			
F.A.P. RTE.	SECTION	COUNTY	TOTAL SHEETS
*	**	CARROLL	548
SHEET NO.		183	
STA.	TO STA.		
FED. ROAD DIST. NO.	ILLINOIS	FED. AID PROJECT	
* ROUTE 17 (US 52 / IL 64)			
** (1,2)RS & (3,1)RS-1			



SPECIAL END SECTION NO. 1
US RTE 52 / IL RTE 64
F.A.P. RTE 17 SECTION (1,2)RS & (3-1)RS-1
CARROLL COUNTY
STA. 1001+58 (QUARRY RD.)

PLOT DATE = Fri, Mar 23 10:09:48 2007
 FILE NAME = c:\p\projects\2007\488\307\108\sub3.dgn
 PLOT SCALE = 20.00000 / 1.00
 USER NAME = dushenkov