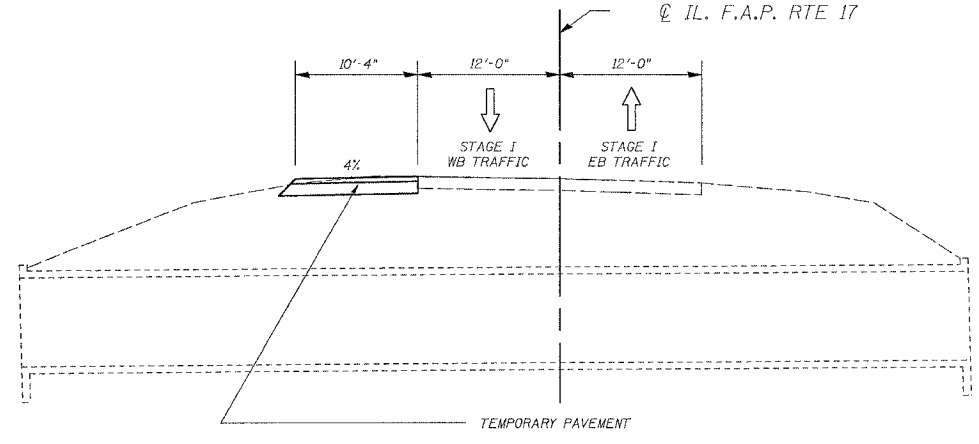


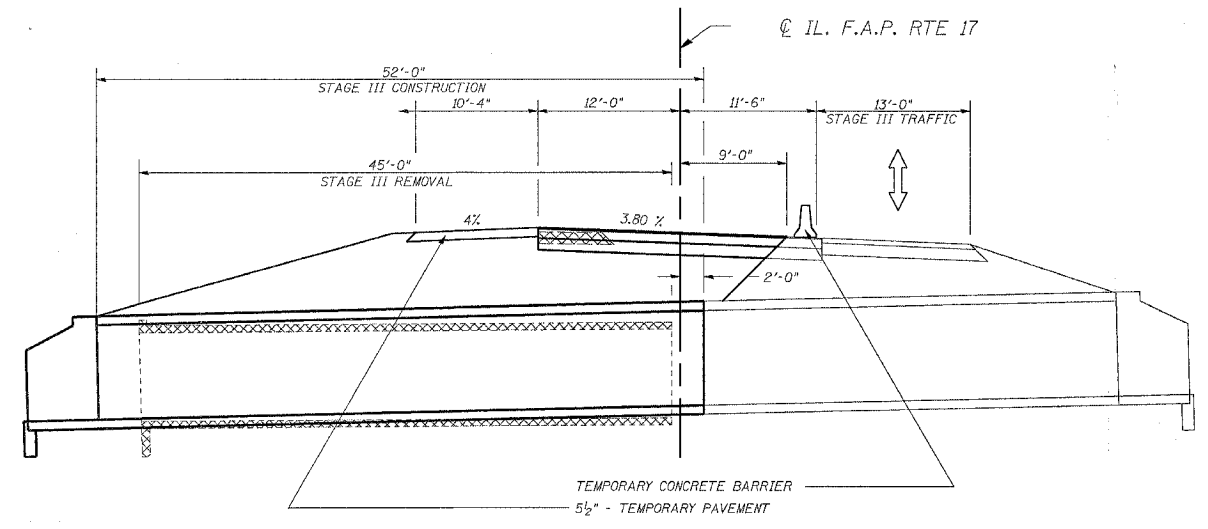
F.A.P. RTE.	SECTION	COUNTY	TOTAL SHEETS	SHEET NO.
*	**	CARROLL	548	185
STA.		TO STA.		
FED. ROAD DIST. NO.		ILLINOIS FED. AID PROJECT		

* ROUTE 17 (US 52 / IL 64)
 ** 1,2JRS & (3,1)RS-1



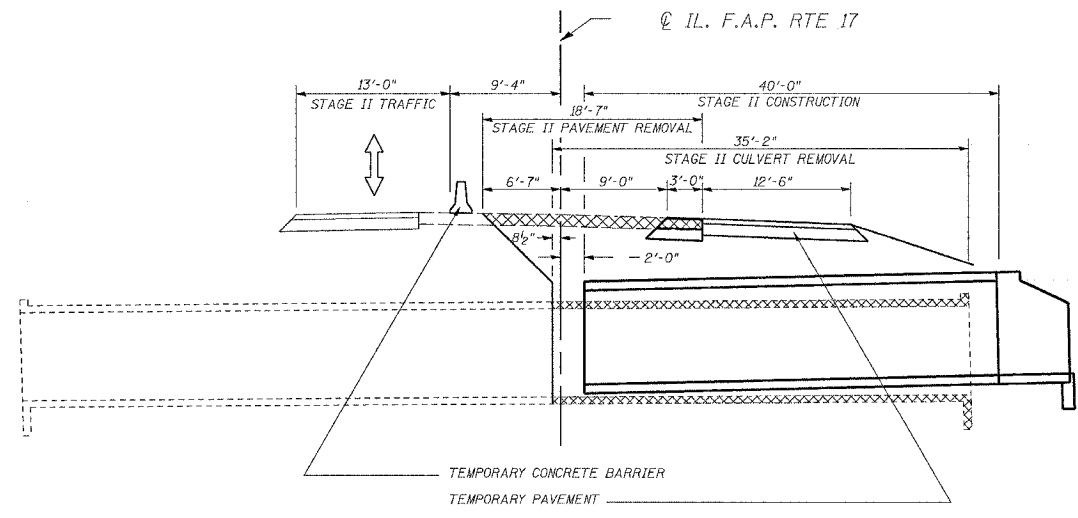
STAGE IA CONSTRUCTION

ALL DIMENSIONS MEASURED PERPENDICULAR TO C OF ROADWAY



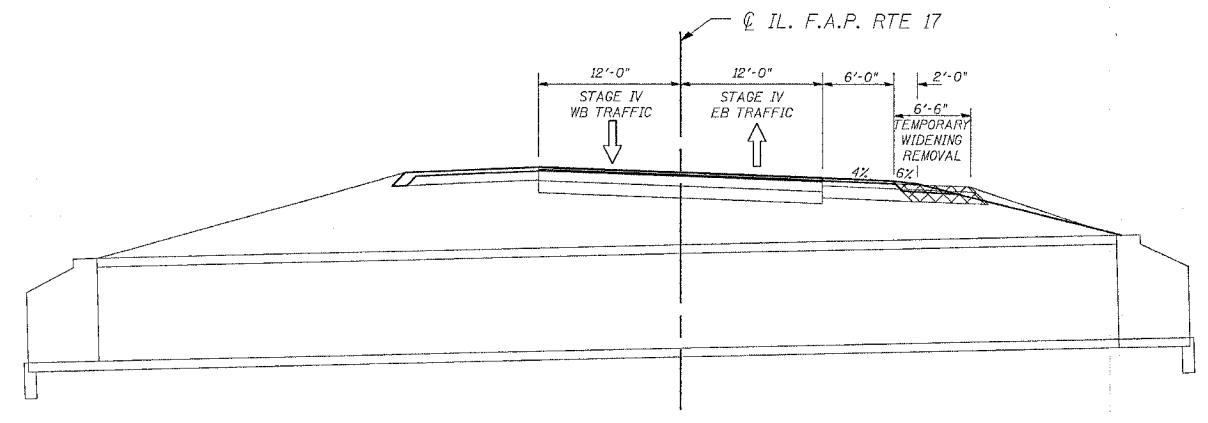
STAGE III REMOVAL AND CONSTRUCTION

ALL DIMENSIONS MEASURED PERPENDICULAR TO C OF ROADWAY



STAGE II REMOVAL AND CONSTRUCTION

ALL DIMENSIONS MEASURED PERPENDICULAR TO C OF ROADWAY



STAGE IV CONSTRUCTION

PLOT DATE = Fri Mar 23 16:08:22 2007
 PLOT SCALE = 20.00000000
 USER NAME = cushmanb

REVISIONS	
NAME	DATE

ILLINOIS DEPARTMENT OF TRANSPORTATION
CONSTRUCTION STAGING
 US RTE 52 / IL RTE 64
 CULVERT NO. 1
 F.A.P. RTE 17 SECTION (1,2)RS & (3-1)RS-1
 CARROLL COUNTY
 STA. 446+65
 SCALE: VERT. DATE
 HORIZ. DATE
 DRAWN BY
 CHECKED BY