

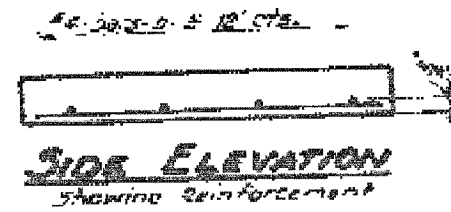
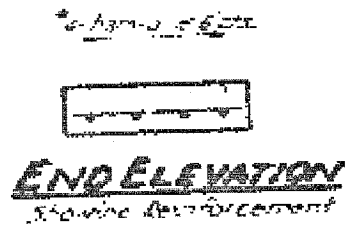
F.A.P. RTE.	SECTION	COUNTY	TOTAL SHEETS	SHEET NO.
*	**	CARROLL	548	221

STA. TO STA.  
 FED. ROAD DIST. NO. ILLINOIS FED. AID PROJECT

- ROUTE 17 (US 52 / IL 64)
- \*\* (1,2)RS & (3,1)RS-1

# INLET EXISTING

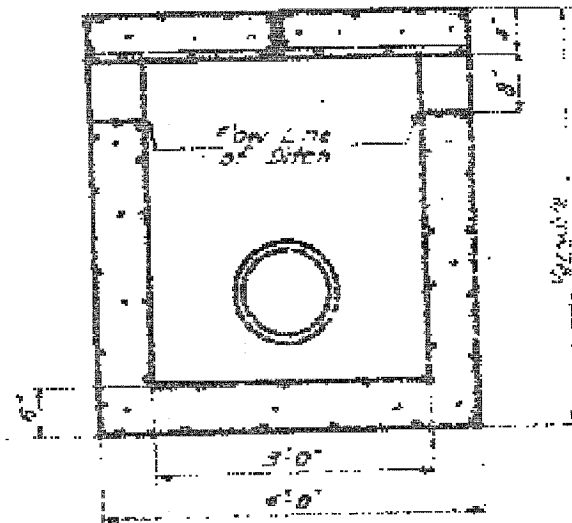
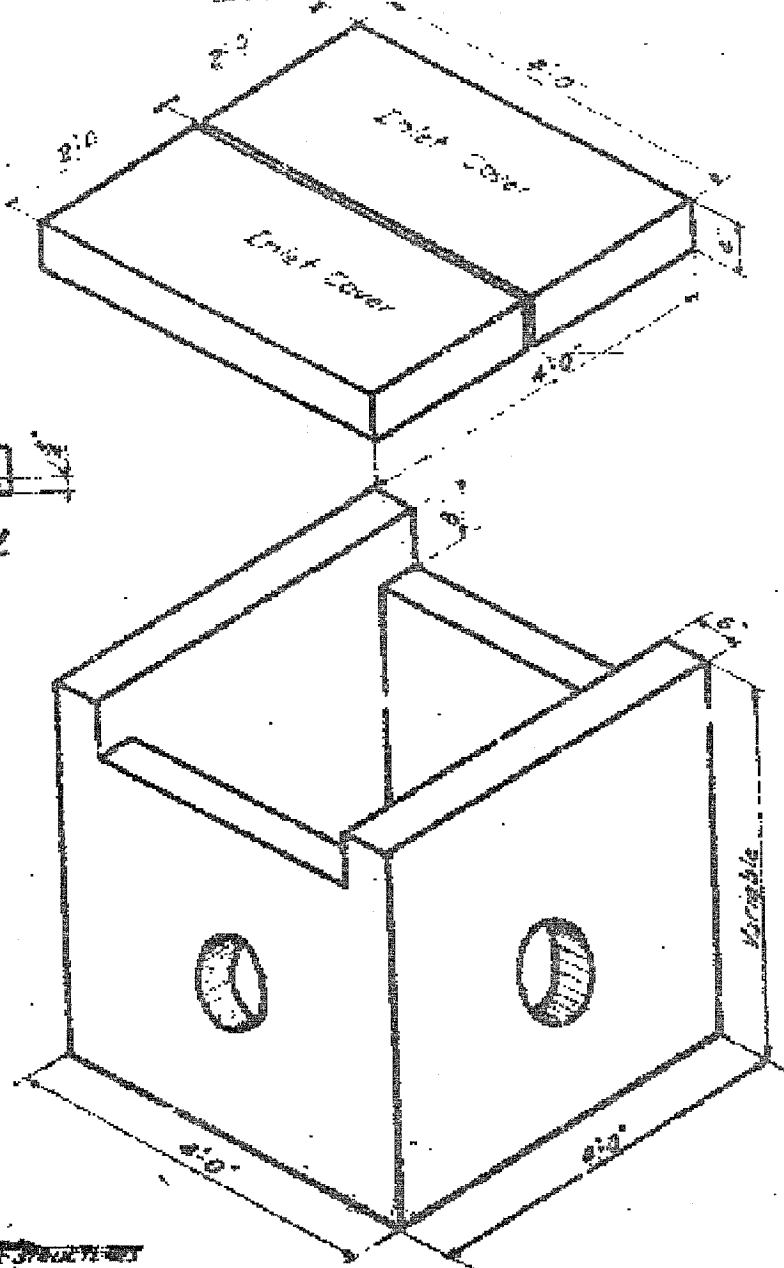
STATE OF ILLINOIS  
 DEPARTMENT OF PUBLIC WORKS & BUILDINGS  
 DIVISION OF HIGHWAYS



**BILL OF MATERIAL**

Bars	No.	Size	Length
4	8	4"	3'-9"
6	8	6"	11'-9"

Reinforcement Bars - Lbs. 30



**SECTION**  
 Class-X Concrete shall be used throughout

EXAMINED OCT. 5, 1969  
 ENGINEER OF PUBLIC WORKS  
 PASSED [Signature]  
 ENGINEER IN CHARGE  
 H. Miller Sign. Date NOV 56

**INLET**  
 STANDARD 1250R

PLOT DATE \* Fri Mar 23 11:05:06 2007  
 FILE NAME \* c:\prowork\2007\1007\1007\1007.dgn  
 PLOT SCALE \* 56.8888 / IN.  
 USER NAME \* hansonk