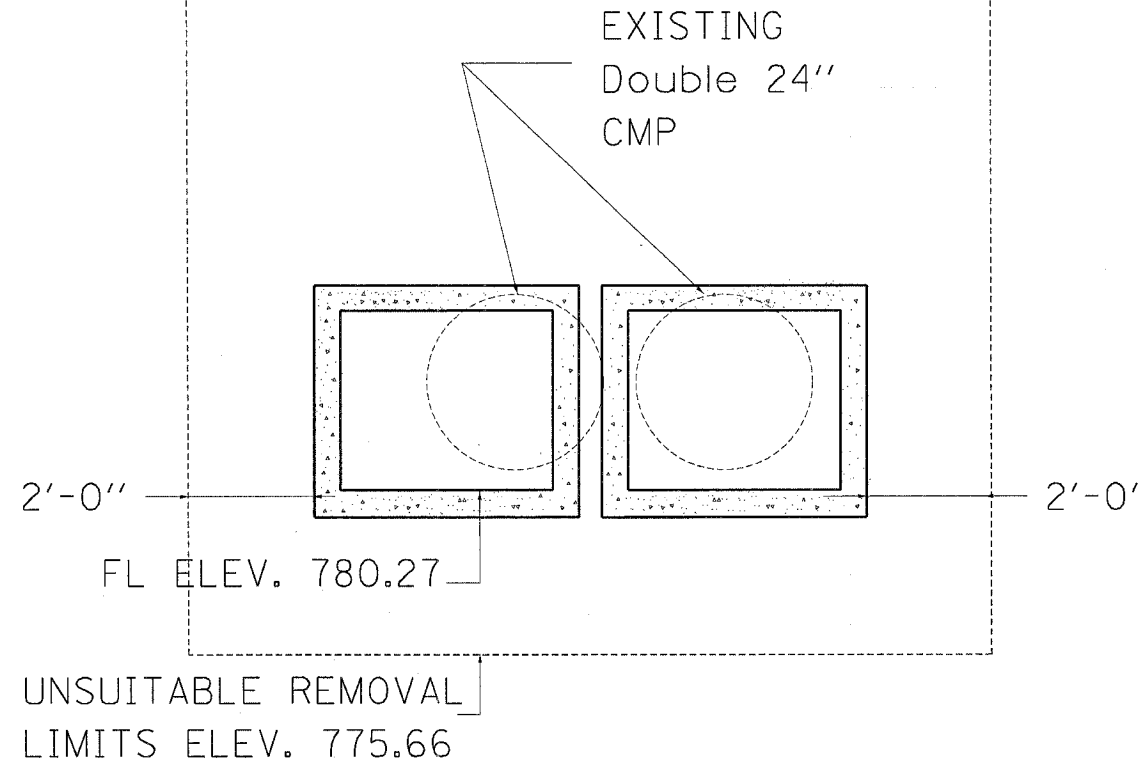


F.A.P. RTE.	SECTION	COUNTY	TOTAL SHEETS	SHEET NO.
*	**	CARROLL	548	223
STA.		TO STA.		
FED. ROAD DIST. NO.		ILLINOIS	FED. AID PROJECT	
* ROUTE 17 (US 52 / IL 64)		** (1,2)RS & (3,1)RS-1		

BRACED EXCAVATION

GROUND SURFACE/
TOP OF SHEET PILING

ELEV. 787.36



GENERAL NOTES

THIS WORK SHALL BE COMPLETED ACCORDING TO APPLICABLE PORTION OF ARTICLE 502 OF THE STANDARD SPECIFICATIONS

BRACE EXCAVATION QUANTITY OF 376 CU YD WAS ESTIMATED BASE ON AVAILABLE BORING LOGS. FIELD THE CONTRACTOR SHALL VERIFY LIMITS OF UNSUITABLE REMOVAL.

QUARRY RUN GRANULAR EMBANKMENT SHALL BE USED TO REPLACE THE UNSUITABLE MATERIAL REMOVED.

ALL WORK AND MATERIAL INCORPORATED INTO THE DESIGN OF THE SYSTEM, INSTALLATION AND REMOVAL OF THE SYSTEM. WILL BE PAID FOR PER CU YD FOR BRACED EXCAVATION.

QUARRY RUN GRANULAR EMBANKMENT WILL BE PAID FOR SEPARATELY.

SECTION SHOWING BRACED EXCAVATION LIMITS AT CULVERT STATION 532 + 57.76

(DIMENSIONS SHOWN PERPENDICULAR TO BOX)

BRACED EXCAVATION = 376 CU YD

REVISIONS		ILLINOIS DEPARTMENT OF TRANSPORTATION
NAME	DATE	
		BRACED EXCAVATION LIMITS
SCALE:	NTS	DRAWN BY: DF
DATE:		CHECKED BY: CB

BRACED EXCAVATION