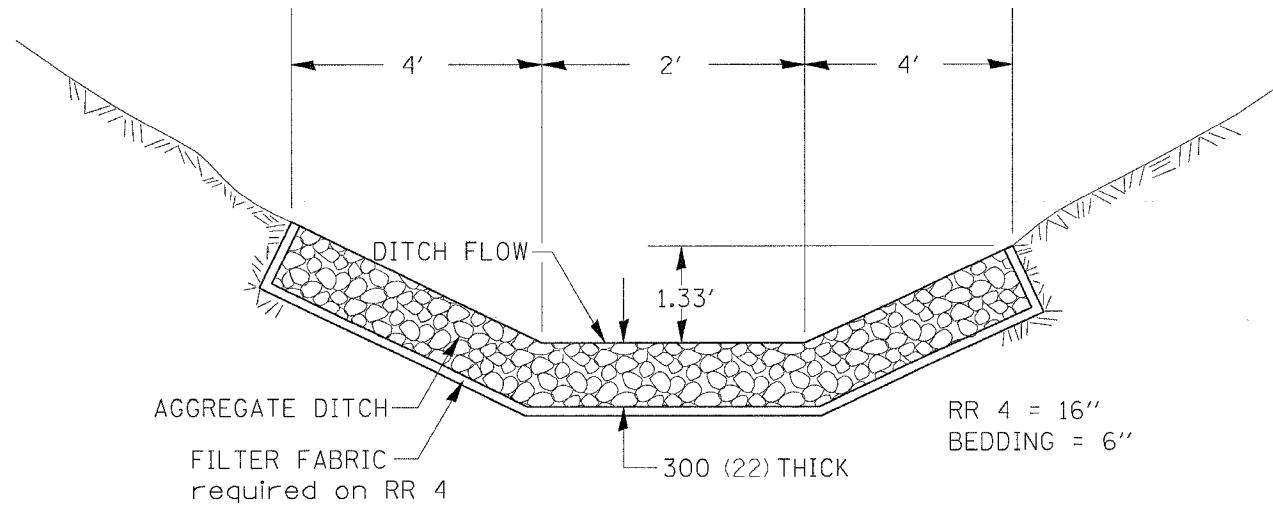


# STONE LINED DITCH

CONTRACT NO. 64560				
F.A.P. RTE.	SECTION	COUNTY	TOTAL SHEETS	SHEET NO.
*	**	CARROLL	548	225
STA.		TO STA.		
FED. ROAD DIST. NO.	ILLINOIS	FED. AID PROJECT		
• ROUTE 17 (US 52 / IL 64) ** (1,2)RS & (3,1)RS-1				



CLASS A4 WILL BE REQUIRED ON THIS PROJECT AT THE LOCATION SHOWN ON THE PLANS. THIS WORK SHALL BE DONE IN ACCORDANCE WITH SECTION 283. STONE LINED DITCH WILL BE MEASURED FOR PAYMENT IN PLACE AND THE AREA COMPUTED IN SQUARE METERS (SQUARE YARD) OF ACTUAL SURFACE AREA. STONE LINED DITCH WILL BE PAID FOR AT THE CONTRACT UNIT PRICE PER SQUARE METER (SQUARE YARD) FOR STONE LINED DITCH, (22").

ALL DIMENSIONS ARE IN MILLIMETERS (INCHES) UNLESS OTHERWISE NOTED.

PLOT DATE = Fri, Mar 20 10:45:44 2008  
 FILE NAME = C:\pwork\2008\2007486\207486.dgn  
 PLOT SCALE = 50.0000 / 1  
 USER NAME = hansonka

REVISIONS		ILLINOIS DEPARTMENT OF TRANSPORTATION
NAME	DATE	
		VERT. SCALE:     DRAWN BY HORIZ.       CHECKED BY DATE

**STONE LINED DITCH**