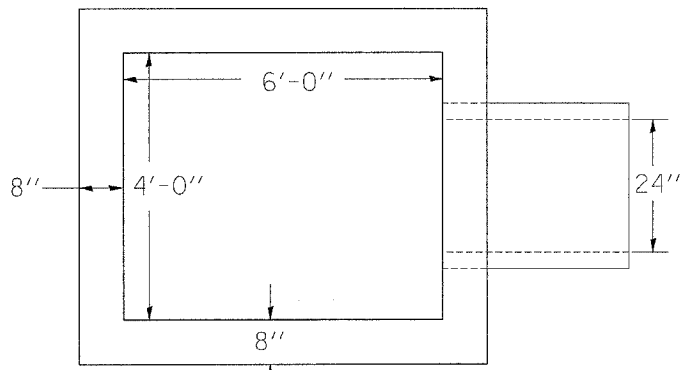


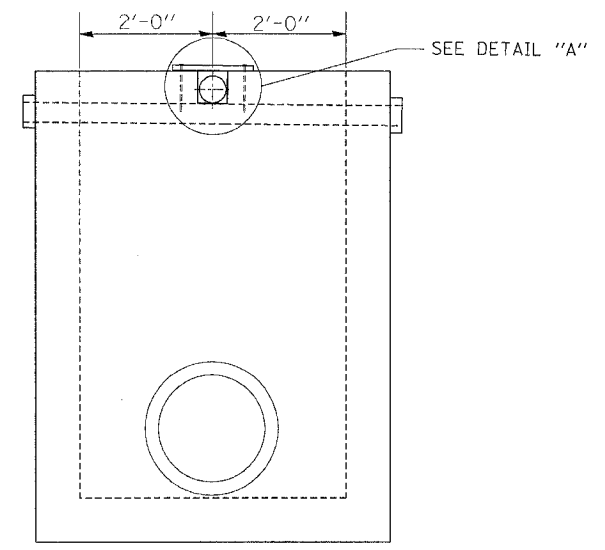
F.A.P. RTE.	SECTION	COUNTY	TOTAL SHEETS	SHEET NO.
*	**	CARROLL	548	227
STA.		TO STA.		
FED. ROAD DIST. NO.	ILLINOIS	FED. AID PROJECT		

* ROUTE 17 (US 52 / IL 64)
 ** (1,2)RS & (3,1)RS-1

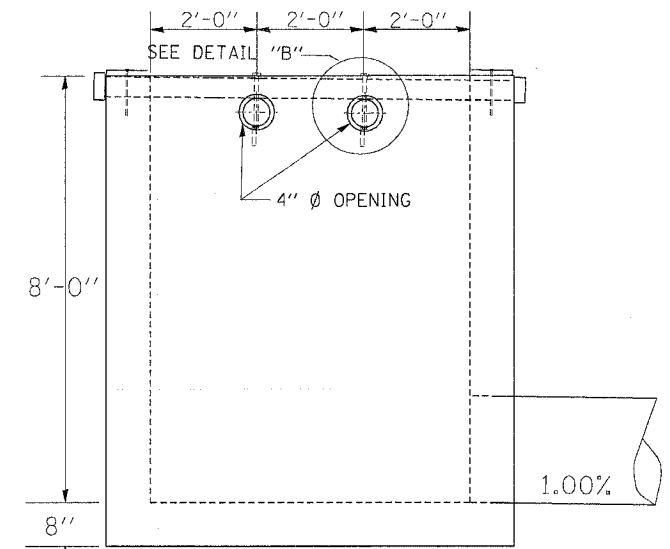
DROP BOX DETAIL



PLAN VIEW



SECTION A-A

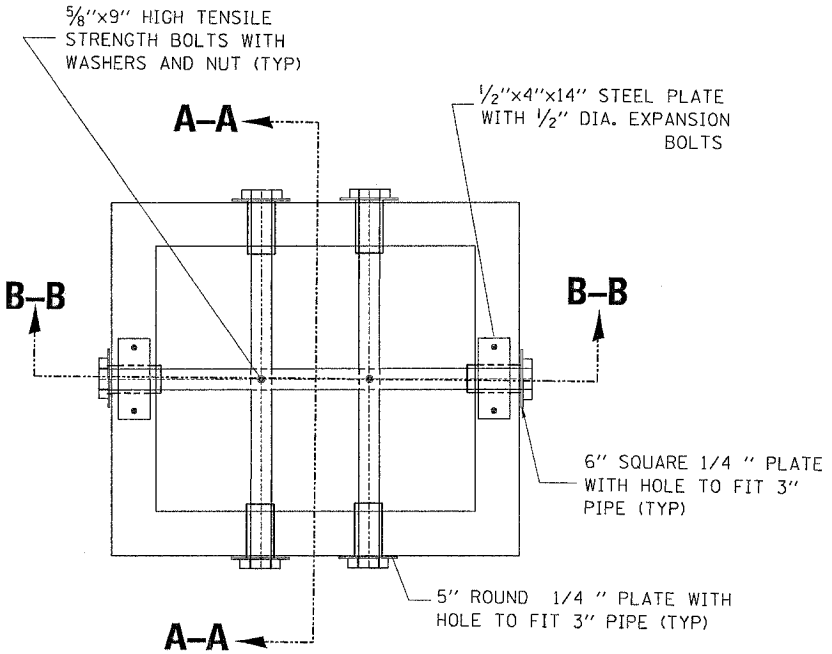


SECTION B-B

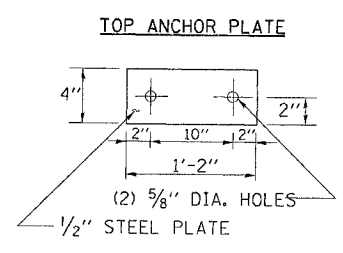
DESCRIPTION	UNIT	QTY.
3" GALVANIZED STEEL PIPE	2ø	5'-6"
	1ø	7'-6"
3" GALV. PIPE CAPS	EACH	6
1/4" x 6" GALV. STL. PLATE	EACH	2
1/2 "x4"x14" GALV. STEEL PLATE	EACH	2
1/2 " EXPANSION BOLTS	EACH	4
5/8 "x9" GALV. STEEL BOLTS	EACH	2
1/4 " GALV. STL. PLATE (6" ROUND)	EACH	4

GENERAL NOTES

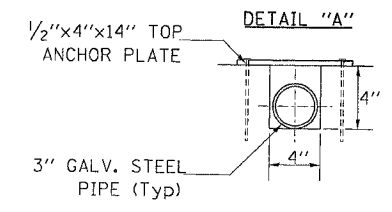
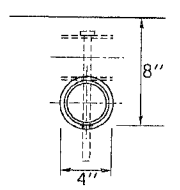
THIS WORK SHALL BE COMPLETED ACCORDING TO THE APPLICABLE PORTION OF ARTICLE 504 OF THE STANDARD SPECIFICATION
 CONTRACTOR SHALL VERIFY GALVANIZED PIPE LENGTH PRIOR TO ORDERING MATERIAL
 CONTRACTOR SHALL VERIFY GALVANIZED PIPE DIMENSIONS PRIOR TO ORDERING MATERIAL
 STEPS SHALL BE ADDED TO THE DROP BOX AS PER STATE STANDARD 602707-01
 ALL WORK AND MATERIAL INCORPORATED INTO THE CONSTRUCTION AND INSTALLATION OF THE GRATED DROP BOX SHALL BE PAID FOR AT THE CONTRACT UNIT PRICE EACH FOR DROP BOX.



GRATE DETAIL



DETAIL "B"



REVISIONS		ILLINOIS DEPARTMENT OF TRANSPORTATION
NAME	DATE	
		SCALE: VERT. HORIZ. DATE DRAWN BY CHECKED BY