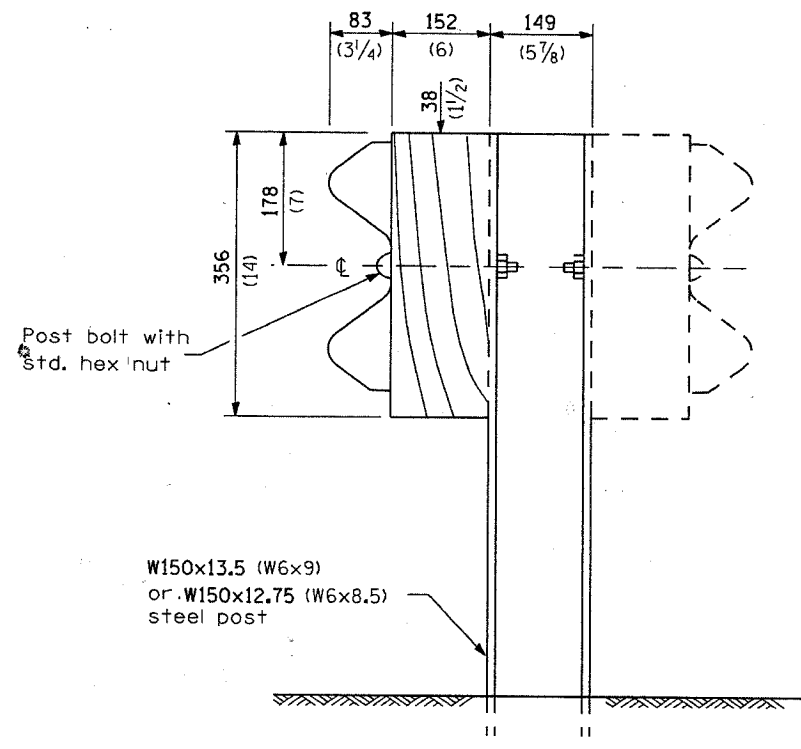
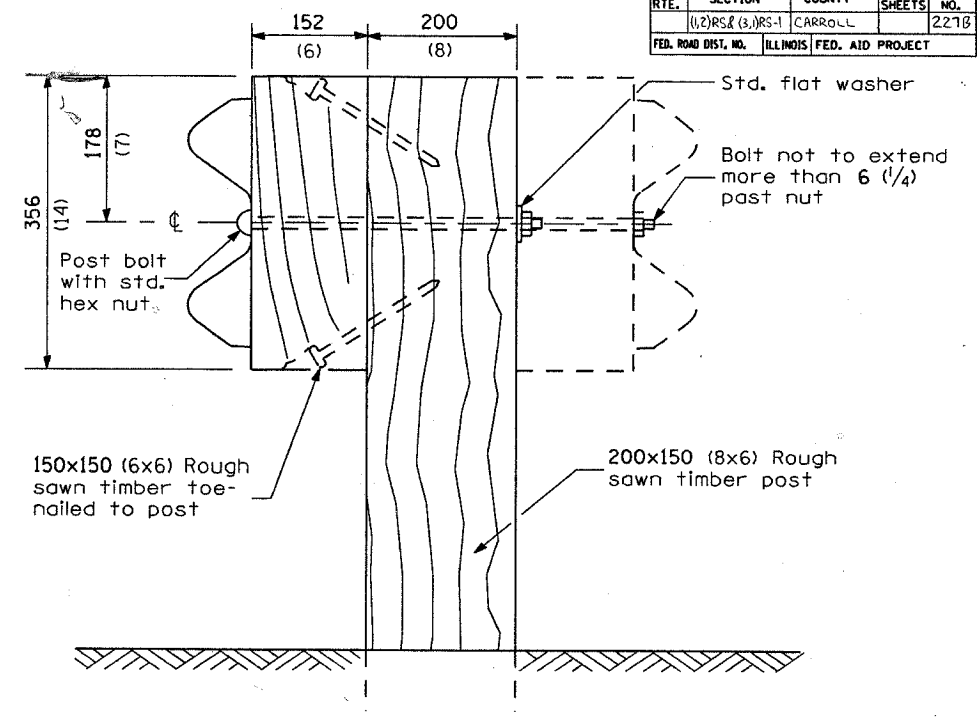


CONTRACT 64560

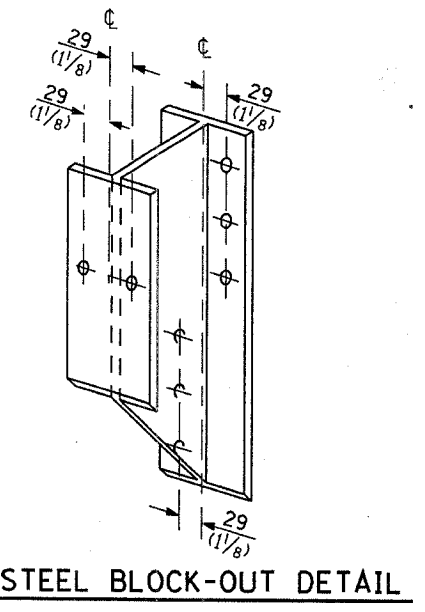
F.A. RYE.	SECTION	COUNTY	TOTAL SHEETS	SHEET NO.
	(2)RS&(3)RS-1	CARROLL		2218
FED. ROAD DIST. NO.		ILLINOIS FED. AID PROJECT		



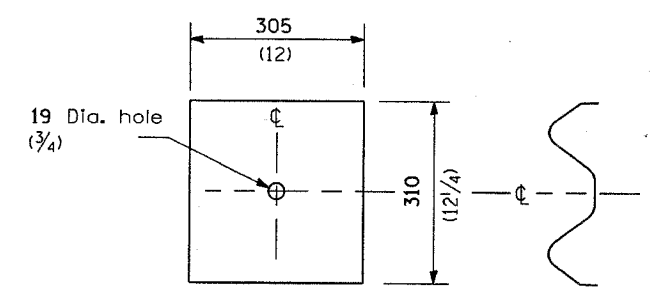
STEEL POST CONSTRUCTION



WOOD POST CONSTRUCTION

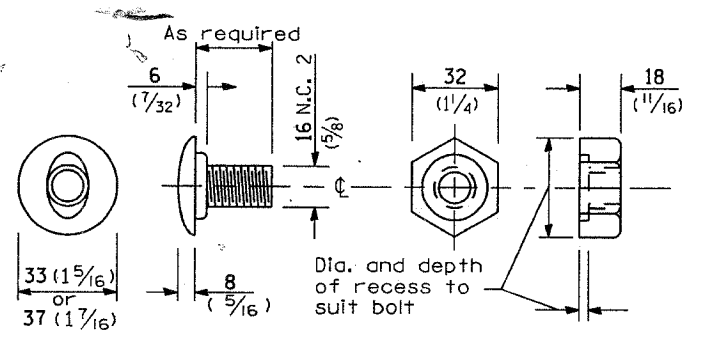


STEEL BLOCK-OUT DETAIL



NOTE
 Plate A shall be placed between rail element and block-out at non-splice mounting points only when steel block-outs are used.

PLATE A



POST OR SPLICE BOLT & NUT

**REMOVE AND REERECT
 STEEL PLATE BEAM GUARDRAIL**
 (Sheet 2 of 4)
DETAIL