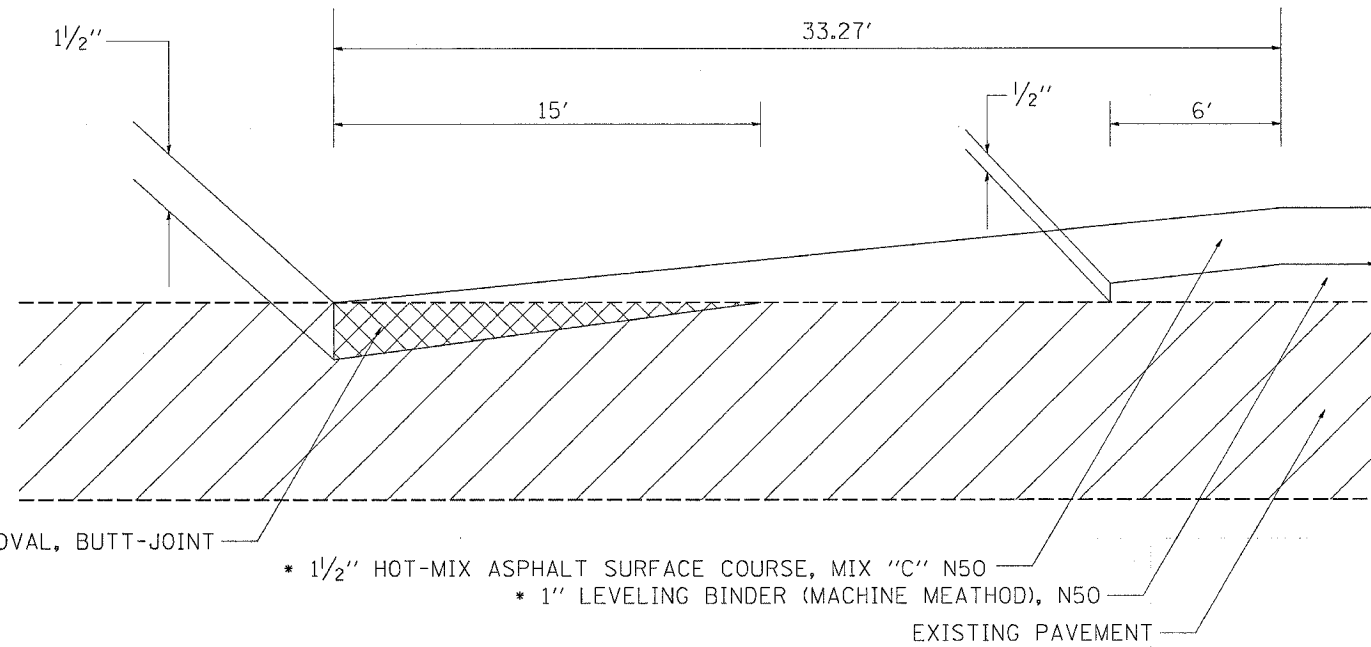


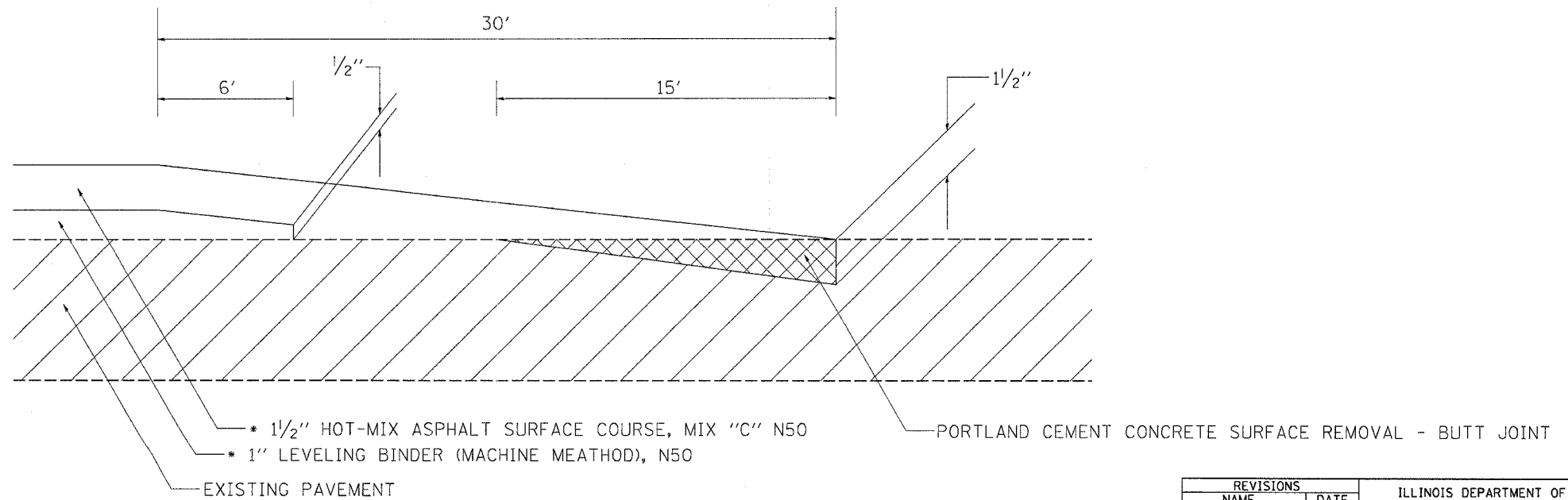
F.A.U. RTE.	SECTION	COUNTY	TOTAL SHEETS	SHEET NO.
5789	(33&40)-I-FR	ROCK ISLAND	30	8
STA.		TO STA.		
FED. ROAD DIST. NO.		ILLINOIS	FED. AID PROJECT	

TYPICAL SECTIONS

69TH AVE CT
STA. 200+33.24 - STA. 200+66.51



69TH AVE CT
STA. 201+16.76 - STA. 201+46.76



* 112 POUNDS / SQUARE YARD / INCH

PLOT DATE = Wed Nov 21 09:25:21 2007
FILE NAME = I:\2007\33&40\33&40\33&40\33&40.dgn
PLOT SCALE = 50.0000 / IN.
USER NAME = mgj11j

REVISIONS	
NAME	DATE

ILLINOIS DEPARTMENT OF TRANSPORTATION

SCALE: VERT.
DATE: HORIZ.

DRAWN BY
CHECKED BY