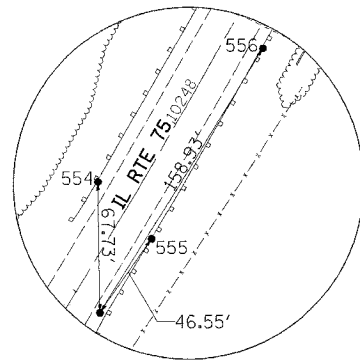
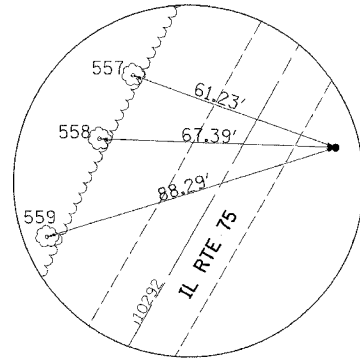


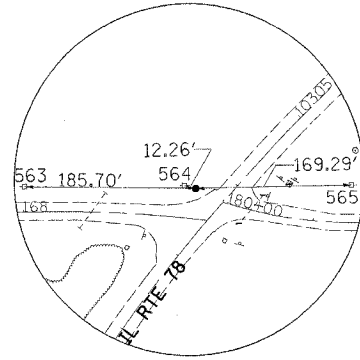
F.A.P. RTE.	SECTION	COUNTY	TOTAL SHEETS	SHEET NO.
505	110RS-1, 111RS-3	STEPHENSON	174	22
STA.		TO STA.		
FED. ROAD DIST. NO.		ILLINOIS FED. AID PROJECT		
CONTRACT NO. 64C32				



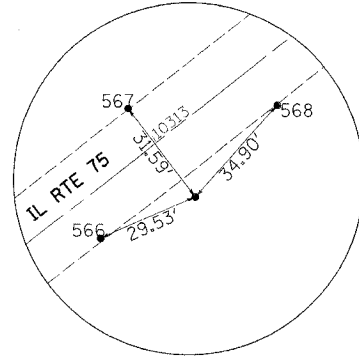
HORIZONTAL CONTROL POINT NO. 91016



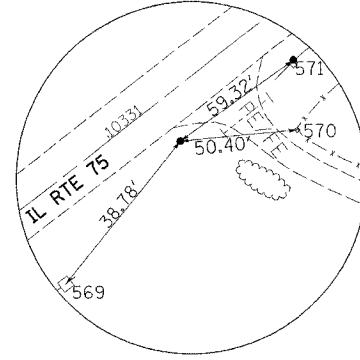
HORIZONTAL CONTROL POINT NO. 91017



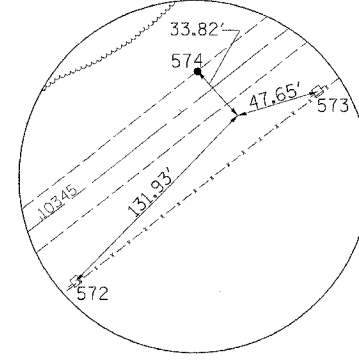
HORIZONTAL CONTROL POINT NO. 91018



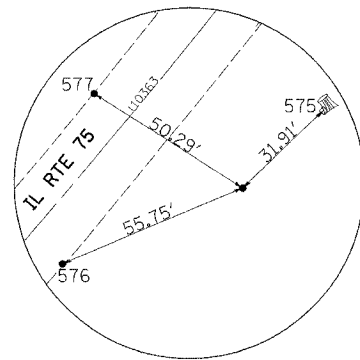
HORIZONTAL CONTROL POINT NO. 91019



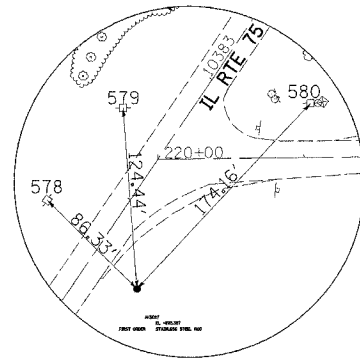
HORIZONTAL CONTROL POINT NO. 91020



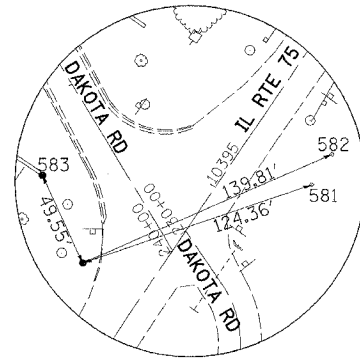
HORIZONTAL CONTROL POINT NO. 91021



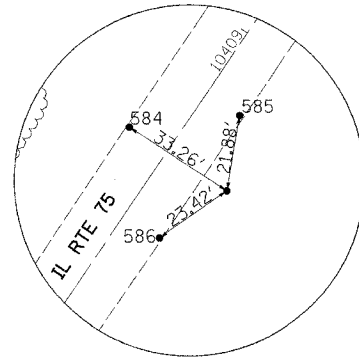
HORIZONTAL CONTROL POINT NO. 91022



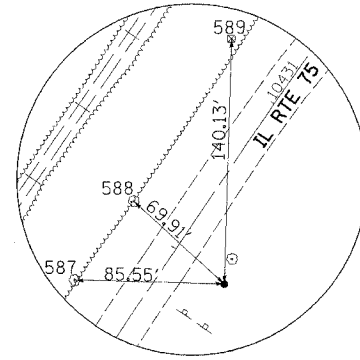
D2-NETWORK MONUMENT NO. 91023



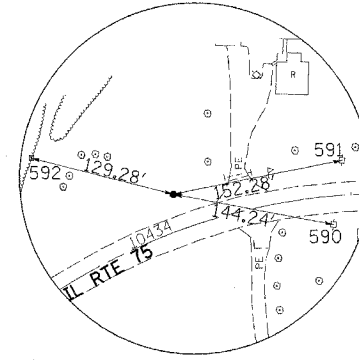
HORIZONTAL CONTROL POINT NO. 91024



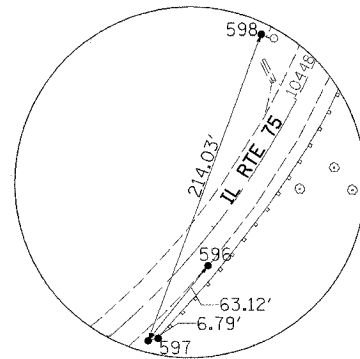
HORIZONTAL CONTROL POINT NO. 91025



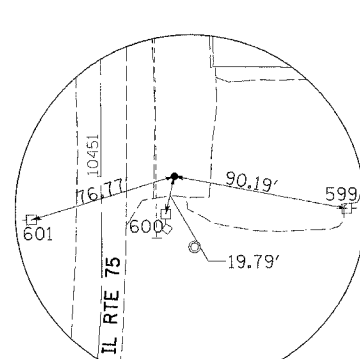
HORIZONTAL CONTROL POINT NO. 91026



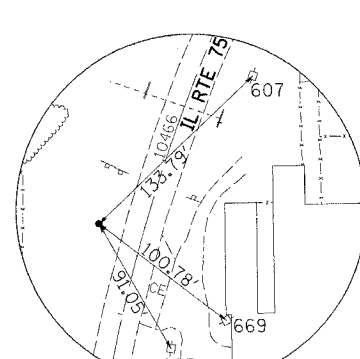
HORIZONTAL CONTROL POINT NO. 91027



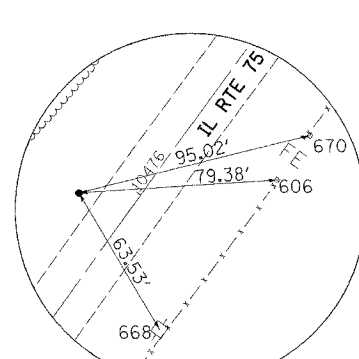
HORIZONTAL CONTROL POINT NO. 91028



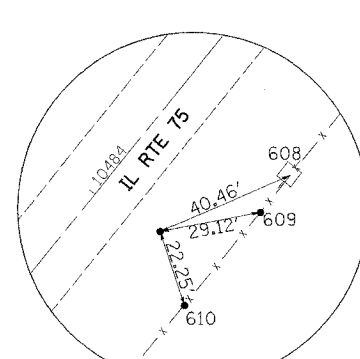
HORIZONTAL CONTROL POINT NO. 91029



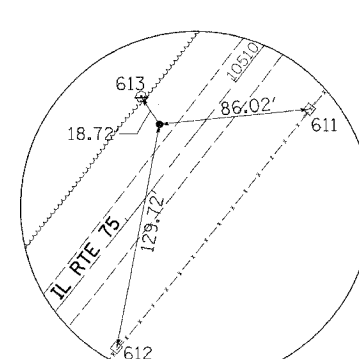
HORIZONTAL CONTROL POINT NO. 91030



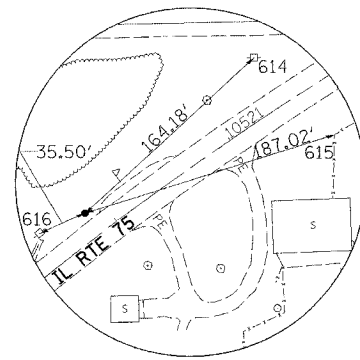
HORIZONTAL CONTROL POINT NO. 91031



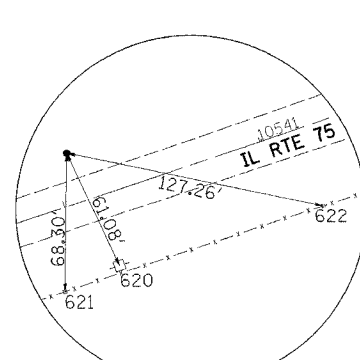
HORIZONTAL CONTROL POINT NO. 91032



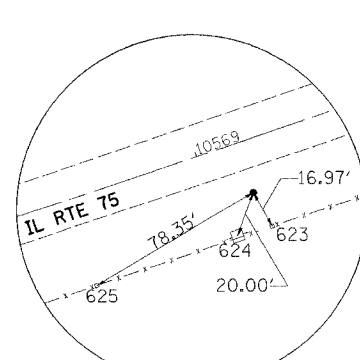
HORIZONTAL CONTROL POINT NO. 91033



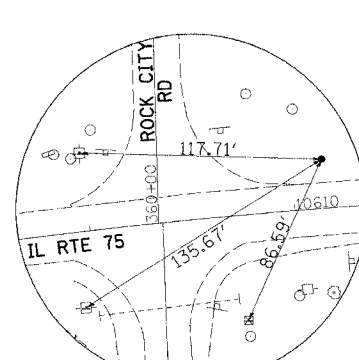
HORIZONTAL CONTROL POINT NO. 91034



HORIZONTAL CONTROL POINT NO. 91035



HORIZONTAL CONTROL POINT NO. 91036



HORIZONTAL CONTROL POINT NO. 91037

REVISIONS	
NAME	DATE

ILLINOIS DEPARTMENT OF TRANSPORTATION  
 F.A.P. ROUTE 505 (IL 75)  
**ILLINOIS ROUTE 75  
 HORIZONTAL AND VERTICAL  
 CONTROL SHEETS**  
 SCALE: VERT. \_\_\_\_\_  
 HORIZ. \_\_\_\_\_  
 DATE: 12/6/06  
 DRAWN BY JMC  
 CHECKED BY DWB

2/6/2006 4:47:03 PM ka:\91800\IT5\_3p\_cadd\design\for12 & Ver1 Control.dwg